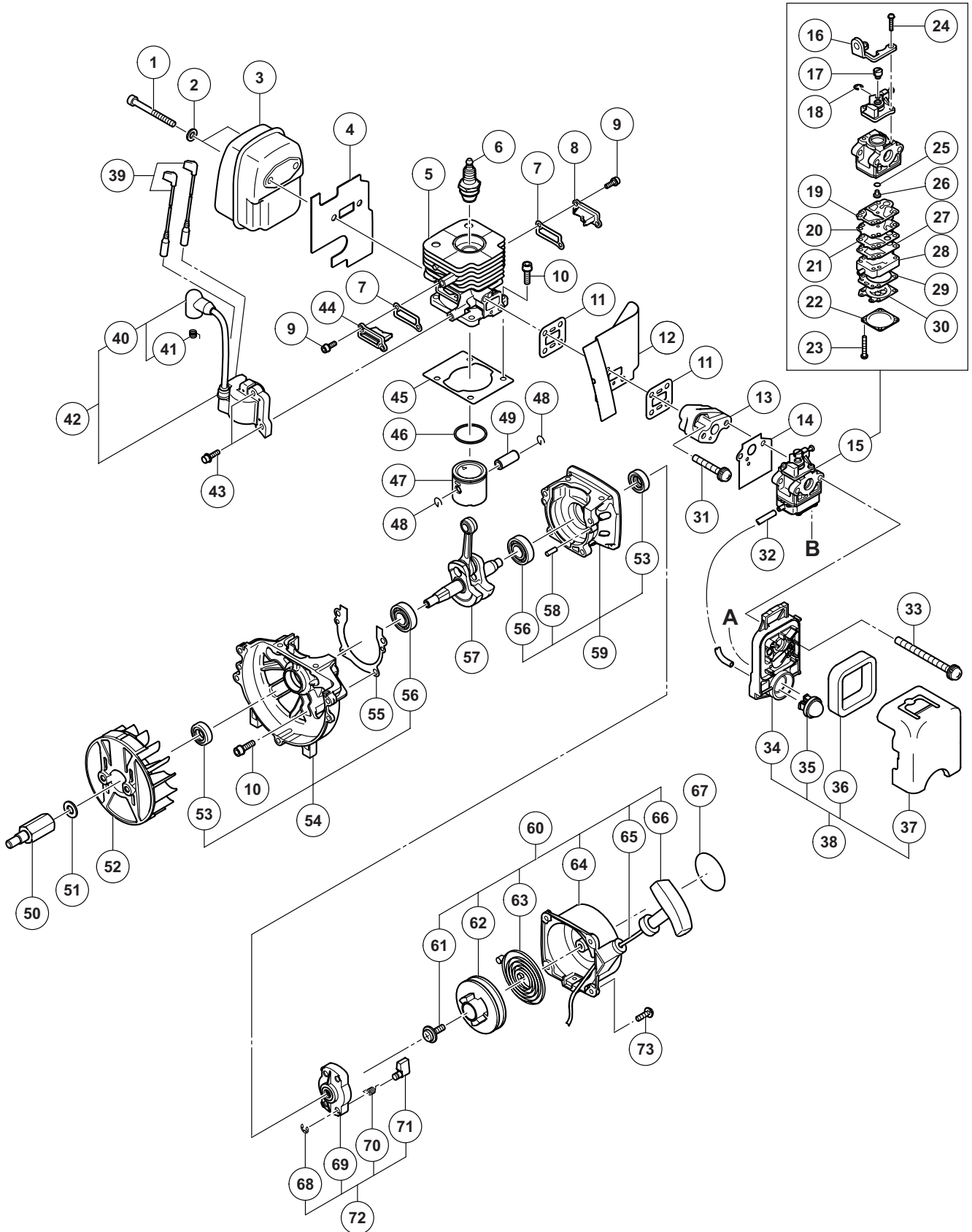
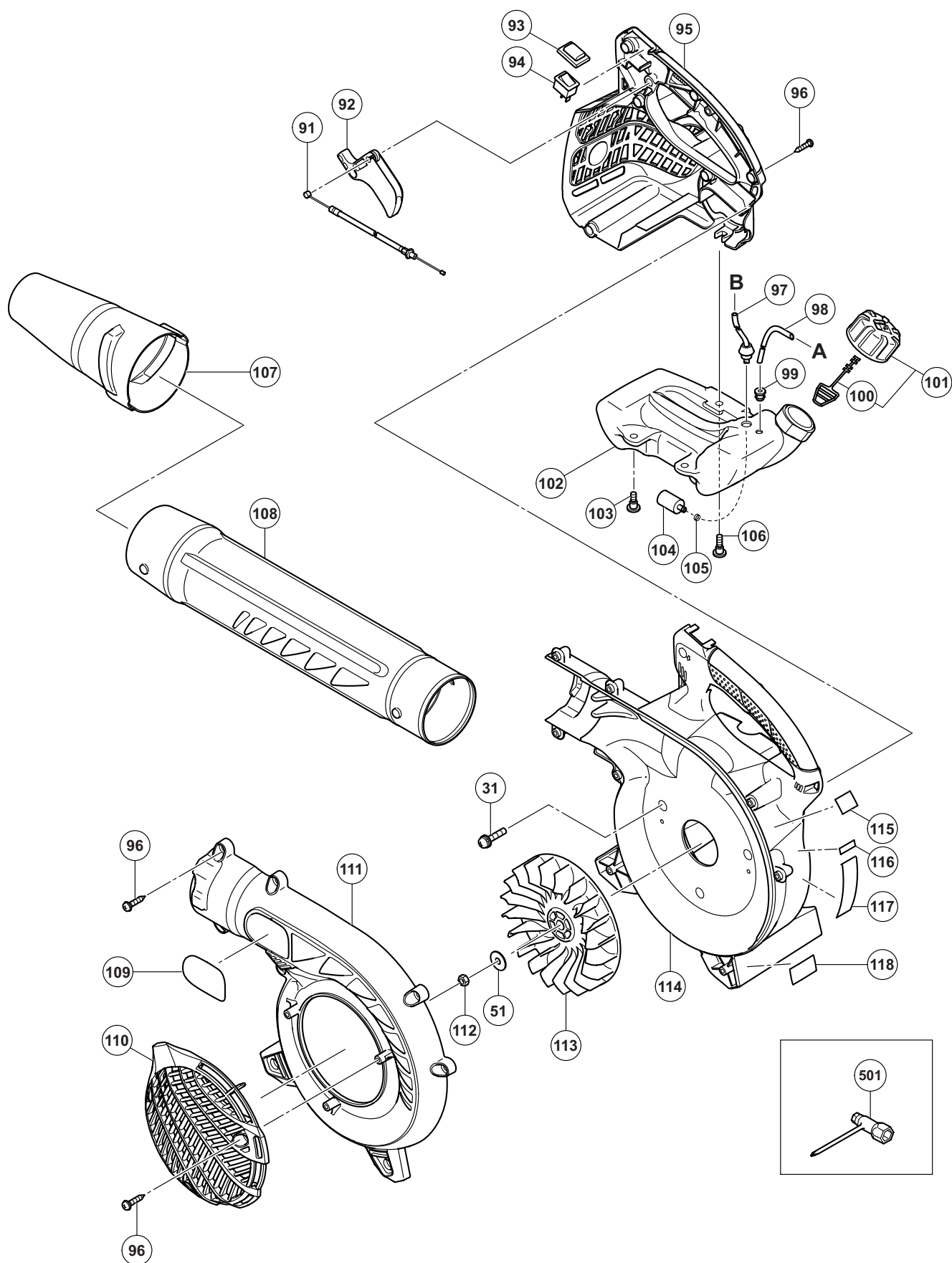


ENGINE TOOL PARTS LIST

ENGINE BLOWER Model RB 24EAP

2010·5·28
(E1)





PARTS

RB 24EAP

ITEM NO.	CODE NO.	DESCRIPTION	NO. USED	REMARKS
1	669-8384	HEX. SOCKET HD. BOLT M6 X 65	2	
2	949-432	BOLT WASHER M6 (10 PCS.)	2	
3	669-8375	MUFFLER	1	
4	669-8374	HEAT PROTECTION PLATE	1	
5	669-8362	CYLINDER	1	
* 6	668-4584	SPARK PLUG BMR7A	1	
* 6	668-5052	SPARK PLUG CJ6	1	FOR USA, CAN
7	669-8365	COVER PACKING	2	
8	669-8363	SCAVENGING COVER (A)	1	
9	669-8385	HEX. SOCKET HD. BOLT M4 X 12	4	
10	669-8386	HEX. SOCKET HD. BOLT (W/SP. WASHER) M5 X 18	8	
11	668-4865	INSULATOR GASKET	2	
12	669-8372	FLASH PAN	1	
13	669-8387	CARBURETOR INSULATOR	1	
14	669-8405	CARBURETOR GASKET	1	
15	669-8373	CARBURETOR ASS'Y (WYC-27)	1	INCLUD. 16-30
16		BRACKET CABLE	1	
17		SWIVEL	1	
18	668-4696	STOP RING	1	
19	668-4692	PUMP GASKET	1	
20	668-4693	PUMP DIAPHRAGM	1	
21	669-1242	PUMP PLATE	1	
22	668-5222	DIAPHRAGM COVER	1	
23	669-1312	SET SCREW	4	
24		SCREW	2	
25	668-4695	O-RING	1	
26		JET	1	
27	669-1234	CIRCUIT PLATE	1	
28		BODY PUMP	1	
29	668-5220	DIAPHRAGM PACKING	1	
30	668-4690	METERING DIAPHRAGM COMP.	1	
31	880-734	MACHINE SCREW (W/WASHERS) M5 X 25 (BLACK)	5	
32	669-6962	FUEL PIPE	1	
33	307-224	MACHINE SCREW (W/WASHERS) M5 X 60 (BLACK)	2	
34		AIR CLEANER HOUSING	1	
35	668-5139	PRIMING PUMP COMP.	1	
36	669-0347	CLEANER ELEMENT	1	
37		CLEANER COVER	1	
38	669-6549	AIR CLEANER ASS'Y	1	INCLUD. 34-37
39	669-6566	CORD	2	
* 40		PLUG CAP	1	INCLUD. 41
41		METAL FITTING OF PLUG CAP	1	
42	669-8397	IGNITION COIL ASS'Y	1	INCLUD. 40
43	669-8388	HEX. SOCKET HD. BOLT (W/WASHERS) M4 X 18	2	
44	669-8364	SCAVENGING COVER (B)	1	
45	669-8366	CYLINDER PACKING	1	
46	669-8404	PISTON RING	1	
47	669-8368	PISTON	1	
48	668-4590	PISTON PIN CIR CLIP	2	
49	668-4591	PISTON PIN	1	

PARTS

RB 24EAP

ITEM NO.	CODE NO.	DESCRIPTION	NO. USED	REMARKS
50	669-8367	SPECIAL BOLT	1	
51	323-212	BOLT WASHER M8 (BLACK)	2	
52	669-8396	MAGNETO ROTOR	1	
53	668-4607	OIL SEAL TB 12227	2	
54	669-8370	CRANK CASE (B) ASS'Y	1	INCLUD. 53, 56
55	669-8371	CRANK CASE PACKING	1	
56	668-4608	BALL BEARING 6001 C3	2	
57	669-6533	CRANK SHAFT COMP.	1	
58	669-6947	KNOCK PIN 4 X 12	2	
59	669-8369	CRANK CASE (A) ASS'Y	1	INCLUD. 53, 56, 58
60	669-6572	RECOIL STARTER BODY ASS'Y	1	INCLUD. 61-66
61	669-3633	SET SCREW	1	
62		RELL	1	
63	668-4675	RECOIL SPRING	1	
64		STARTER CASE	1	
65	669-3168	STARTER ROPE	1	
66	669-3227	STARTER HANDLE	1	
67		NAME PLATE	1	
68		RETANING RING (E-TYPE) D5	2	
69		STARTER PULLEY	1	
70		STARTER PAWL SPRING	2	
71		STARTER PAWL	2	
72	669-6471	STARTER PULLEY ASS'Y	1	INCLUD. 68-71
73	669-8398	SCREW (W/WASHERS) M4 X 16	4	
91	669-8399	THROTTLE WIRE COMP.	1	
92	669-8391	THROTTLE LEVER	1	
93	669-8400	SWITCH COVER	1	
* 94	668-5364	STOP SWITCH	1	
* 94	669-6565	STOP SWITCH	1	FOR USA, CAN
* 95	669-8390	MUFFLER PROTECTOR	1	
* 95	669-8389	MUFFLER PROTECTOR	1	FOR USA, CAN
96	302-089	TAPPING SCREW (W/FLANGE) D5 X 20 (BLACK)	17	
97	669-6551	SHIELD TUBE	1	
98	669-8401	FUEL PIPE (PINK)	1	
99	669-6970	RETURN GROMMET	1	
100		TANK CAP CHAIN	1	
101	669-8402	FUEL TANK CAP ASS'Y	1	INCLUD. 100
102	669-8377	TANK	1	
103	669-6574	BOLT (W/FLANGE)	2	
104	668-4620	PUMP FILTER BODY COMP.	1	
105	669-6949	CLIP	1	
106	669-8392	BOLT (W/FLANGE)	1	
107	669-8394	NOZZLE (B)	1	
108	669-8393	NOZZLE (A)	1	
109		HITACHI LABEL	1	
110	669-8381	GUARD NET	1	
* 111	669-8383	VOLUTE CASE	1	
* 111	669-8382	VOLUTE CASE	1	FOR USA, CAN
112	669-8395	FLANGE U NUT M8	1	
113	669-8378	FAN	1	

PARTS

RB 24EAP

ITEM NO.	CODE NO.	DESCRIPTION	NO. USED	REMARKS	
* 114	669-8380	FAN CASE	1		
* 114	669-8379	FAN CASE	1	FOR USA, CAN	
* 115		START LABEL (B)	1	FOR USA, CAN	
* 116		TANK MARK LABEL	1	FOR GBR	
		CAUTION MARK	1		
* 118		CAUTION MARK EU EMISSION	1	EXCEPT FOR, USA, CAN	

STANDARD ACCESSORIES

ITEM NO.	CODE NO.	DESCRIPTION	NO. USED	REMARKS	
* 501	669-8403	WRENCH 13/19MM PLUS	1	EXCEPT FOR USA, CAN	

ITEM NO.	CODE NO.	DESCRIPTION	NO. USED	REMARKS	