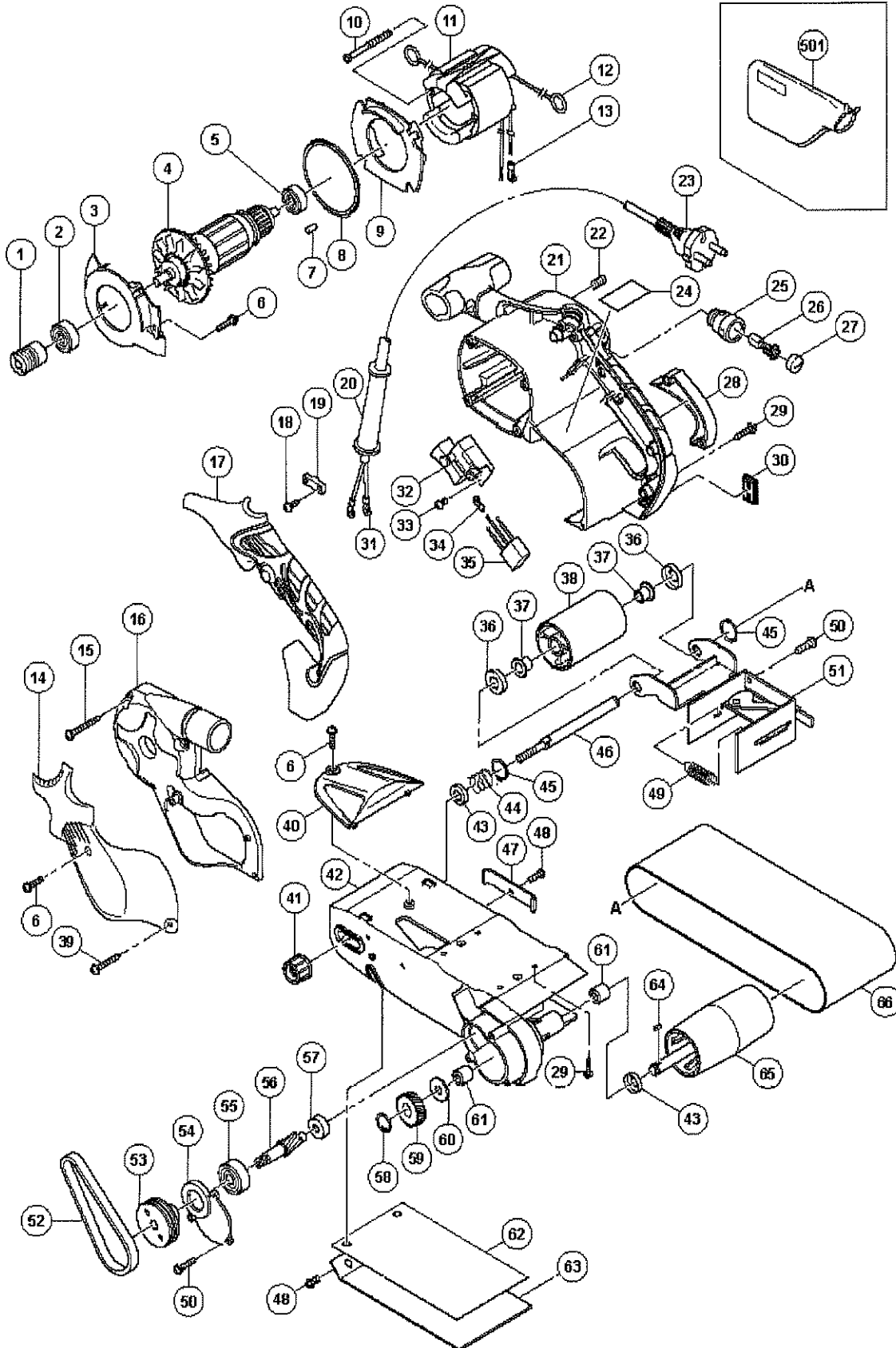


ELECTRIC TOOL PARTS LIST

BELT SANDER
Model SB 10S2

2007 · 3 · 26

(E1)



TEILE

SB10S2

| Pos. Nr. | Art.Nr. | BESCHREIBUNG | Nr. STUE | KOMMENTAR |
|-------------|---------|--------------|-------------|--|
| 1 | 327-742 | | 1 | |
| 2 | 600-0VV | | 1 | |
| 3 | 327-739 | | 1 | |
| * | 4 | 360-797C | 1 | |
| * | 4 | 360-797U | 1 | INCLUD.2,5 |
| * | 4 | 360-797E | 1 | |
| * | 4 | 360-797F | 1 | |
| 5 | 608-VVM | | 1 | |
| 6 | 935-196 | | 4 | |
| 7 | 931-701 | | 1 | |
| 8 | 328-209 | | 1 | |
| 9 | 327-738 | | 1 | |
| 10 | 953-174 | | 2 | |
| * | 11 | 340-700J | 1 | INCLUD.12,13 |
| * | 11 | 340-700D | 1 | INCLUD.12,13 |
| * | 11 | 340-700G | 1 | INCLUD.12,13 |
| * | 11 | 340-700H | 1 | INCLUD.12,13 |
| 12 | 930-703 | | 2 | |
| * | 13 | 930-804 | 2 | |
| * | 13 | 980-063 | 1 | FOR USA,CAN |
| 14 | 328-433 | | 1 | |
| 15 | 316-321 | | 4 | |
| 16 | 327-740 | | 1 | |
| 17 | 327-760 | | 1 | |
| 18 | 984-750 | | 2 | |
| 19 | 937-631 | | 1 | |
| * | 20 | 958-049 | 1 | |
| * | 20 | 940-778 | 1 | |
| 21 | 327-759 | | 1 | INCLUD.22,25 |
| 22 | 938-477 | | 2 | |
| * | 23 | 500-247Z | 1 | (CORD ARMOR D8.2) |
| * | 23 | 500-234Z | 1 | (CORD ARMOR D8.2)FOR GBR,FIN,DEN,SWE NOR |
| * | 23 | 500-432Z | 1 | (CORD ARMOR D8.2) FOR USA,CAN |
| * | 23 | 500-439Z | 1 | (CORD ARMOR D8.2) FOR AUS,NZL |
| * | 23 | 500-455Z | 1 | (CORD ARMOR D8.2) FOR CHN |
| * | 23 | 323-974 | 1 | (CORD ARMOR D10.7) FOR TPE |
| 24 | | | 1 | |
| 25 | 958-900 | | 2 | |
| 26 | 999-043 | | 2 | |

*:ALTERNATIVTEILE

TEILE

SB10S2

| Pos. Nr. | Art.Nr. | BESCHREIBUNG | Nr. STUE | KOMMENTAR |
|-------------|---------|--------------|-------------|--------------------|
| 27 | 945-161 | | 2 | |
| 28 | 327-779 | | 1 | |
| 29 | 305-812 | | 8 | |
| 30 | 327-791 | | 1 | |
| * 31 | 980-063 | | 2 | FOR CORD |
| 32 | 325-085 | | 1 | |
| 33 | 305-499 | | 4 | |
| * 34 | 938-108 | | 1 | EXCEPT FOR USA,CAN |
| * 35 | 325-566 | | 1 | EXCEPT FOR USA,CAN |
| 36 | 953-043 | | 2 | |
| 37 | 953-042 | | 2 | |
| 38 | 995-586 | | 1 | INCLUD.37 |
| 39 | 305-490 | | 1 | |
| 40 | 327-744 | | 1 | |
| 41 | 995-578 | | 1 | |
| 42 | 327-780 | | 1 | INCLUD.57,61 |
| 43 | 953-161 | | 2 | |
| 44 | 995-577 | | 1 | |
| 45 | 939-542 | | 2 | |
| 46 | 995-587 | | 1 | |
| 47 | 327-746 | | 1 | |
| 48 | 949-216 | | 3 | |
| 49 | 953-063 | | 1 | |
| 50 | 949-218 | | 5 | |
| 51 | 995-585 | | 1 | INCLUD.49 |
| 52 | 327-741 | | 1 | |
| 53 | 327-749 | | 1 | |
| 54 | 327-748 | | 1 | |
| 55 | 620-0VV | | 1 | |
| 56 | 327-750 | | 1 | |
| 57 | 935-522 | | 1 | |
| 58 | 939-540 | | 1 | |
| 59 | 995-576 | | 1 | |
| 60 | 948-213 | | 1 | |
| 61 | 953-175 | | 2 | |
| 62 | 995-579 | | 1 | |
| 63 | 327-781 | | 1 | |
| 64 | 944-109 | | 1 | |
| 65 | 995-575 | | 1 | |

*ALTERNATIVTEILE

TEILE

SB10S2

| Pos. Nr. | Art.Nr. | BESCHREIBUNG | Nr. STUE | KOMMENTAR |
|-------------|---------|--------------|-------------|-----------|
| 66 | 995-552 | | 1 | |
| 67 | 328-513 | | 1 | |
| 68 | 302-086 | | 1 | |

STANDARDZUBEHÖR

| Pos. Nr. | Art.Nr. | BESCHREIBUNG | Nr. STUE | KOMMENTAR |
|-------------|---------|--------------|-------------|-----------|
| 501 | 323-011 | | 1 | |
| 601 | 995-550 | | 1 | |
| 602 | 995-551 | | 1 | |
| 603 | 995-553 | | 1 | |
| 604 | 995-554 | | 1 | |
| 605 | 995-555 | | 1 | |
| 606 | 995-556 | | 1 | |
| 607 | 995-557 | | 1 | |
| 608 | 995-558 | | 1 | |
| 609 | 995-559 | | 1 | |
| 610 | 995-560 | | 1 | |
| 611 | 995-561 | | 1 | |
| 612 | 995-562 | | 1 | |
| 613 | 995-563 | | 1 | |
| 614 | 995-564 | | 1 | |
| 615 | 995-565 | | 1 | |
| 616 | 995-566 | | 1 | |
| 617 | 995-567 | | 1 | |
| 618 | 995-568 | | 1 | |
| 619 | 995-569 | | 1 | |
| 620 | 995-570 | | 1 | |
| 621 | 995-571 | | 1 | |
| 622 | 995-572 | | 1 | |
| 623 | 995-573 | | 1 | |