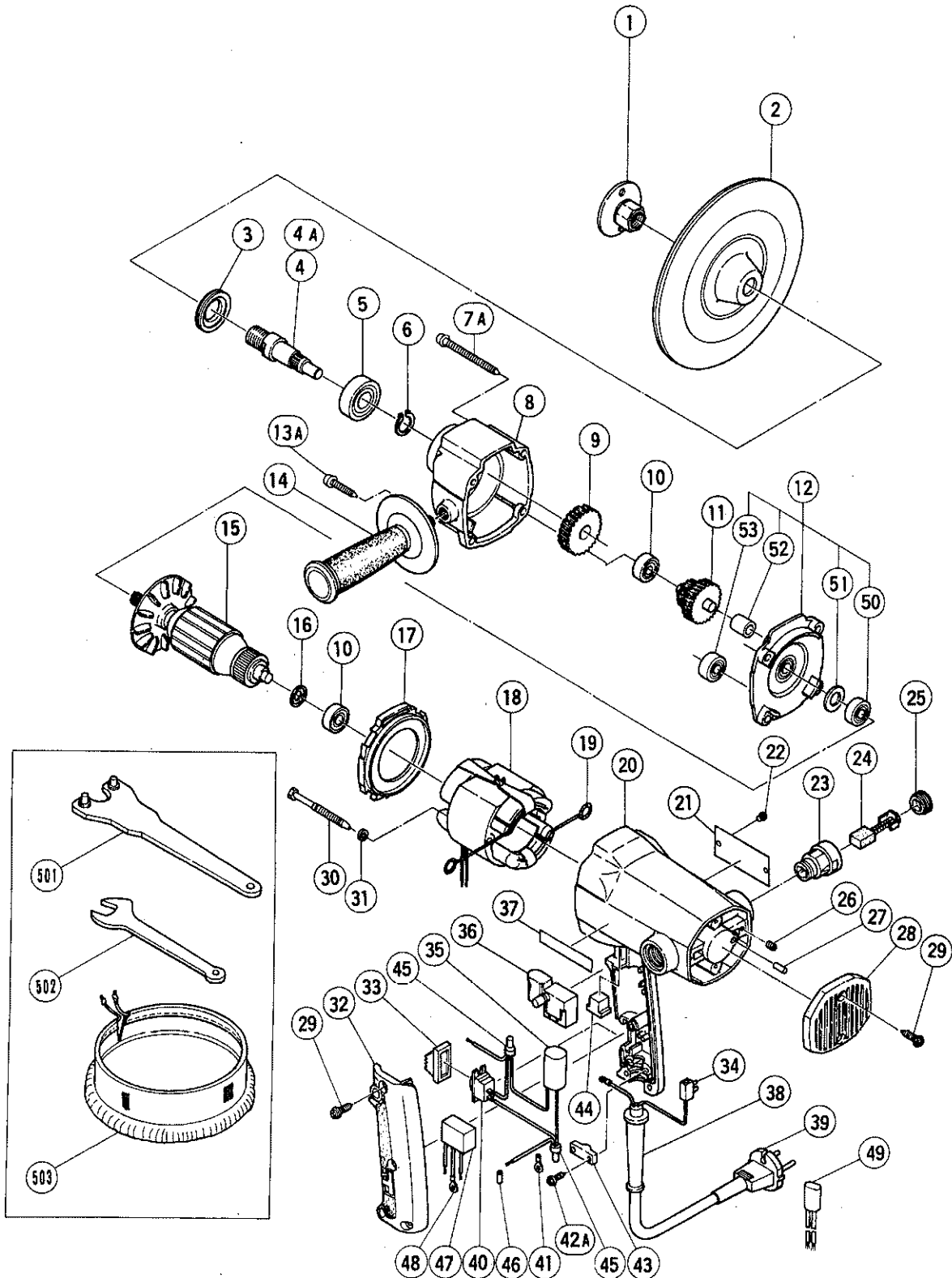


ELECTRIC TOOL PARTS LIST

■ SANDER POLISHER
Model SP 18T

1994 · 4 · 4
(E5)



PARTS

SP 18T

ITEM NO.	CODE NO.	DESCRIPTION	NO. USED	REMARKS	
*	1	953-246Z	WASHER NUT M14	1	
*	1	953-254P	WASHER NUT 5/8" - 11UNC	1	
*	2	953-247Z	RUBBER PAD (D14 HOLE)	1	
*	2	953-255	RUBBER PAD (D16 HOLE)	1	
	3	940-821	BEARING CAP	1	
*	4	990-595	SPINDLE M14	1	
*	4A	990-589	SPINDLE 5/8" - 11UNC	1	FOR USA
	5	620-2DD	BALL BEARING 6202DDUCMPS2S	1	
	6	939-544	RETAINING RING FOR D15 SHAFT (10 PCS.)	1	
	7A	957-725	TAPPING SCREW D5X70	2	
	8	990-582	GEAR COVER	1	
	9	990-585	FINAL GEAR	1	
	10	608-VVM	BALL BEARING 608VVMC2EPS2L	2	
	11	990-583	SECOND PINION	1	
	12	990-581	INNER COVER ASS'Y	1	INCLUD.50 - 53
	13A	931-875	TAPPING SCREW D5X35	2	
*	14	956-633	SIDE HANDLE	1	
*	14	981-828	SIDE HANDLE	1	FOR USA
*	15	990-588U	ARMATURE ASS'Y 115V	1	INCLUD.10,16,53
*	15	990-588E	ARMATURE 220V	1	
*	15	990-588F	ARMATURE 240V	1	
	16	980-698	DUST WASHER (A)	1	
	17	990-593	FAN GUIDE	1	
*	18	990-587C	STATOR ASS'Y 115V	1	INCLUD.19
*	18	990-587H	STATOR ASS'Y 220V	1	INCLUD.19
*	18	990-587F	STATOR ASS'Y 240V	1	INCLUD.19
*	18	990-587G	STATOR ASS'Y 220V	1	INCLUD.19 FOR NOR
	19	930-703	BRUSH TERMINAL	2	
	20	990-580	HOUSING ASS'Y	1	INCLUD.23,26
	21		NAME PLATE	1	
*	22	932-642	RIVET D2.5X2.8	2	
	23	981-586	BRUSH HOLDER	2	
	24	981-612Z	CARBON BRUSH (AUTO STOP TYPE) (1 PAIR)	2	
	25	961-781	BRUSH CAP	2	
	26	961-681	HEX. SOCKET SET SCREW M4X5	2	
	27	945-801	BEARING LOCK	1	
	28	990-586	TAIL COVER	1	
	29	982-095	TAPPING SCREW (W/WASHER) D4X20	6	
	30	961-501	HEX. HD. TAPPING SCREW D5X60	2	
	31	949-454	SPRING WASHER M5 (10 PCS.)	2	
	32	990-584	HANDLE COVER	1	
	33	971-792	SLIDE SWITCH COVER	1	
	34	990-592	PILLAR TERMINAL (B)	1	
*	35	990-596	DIODE	1	
*	35	990-591	DIODE	1	FOR USA
*	36	971-667Z	SWITCH (2P PILLAR TYPE) W/LOCK	1	
*	36	957-747	SWITCH (A) (1P SCREW TYPE) W/LOCK	1	FOR USA
	37	957-561	HITACHI LABEL	1	
*	38	953-327	CORD ARMOR D8.8	1	
*	38	938-051	CORD ARMOR D10.1	1	
*	39	500-234Z	CORD	1	(CORD ARMOR D8.8)

*: ALTERNATIVE PARTS

