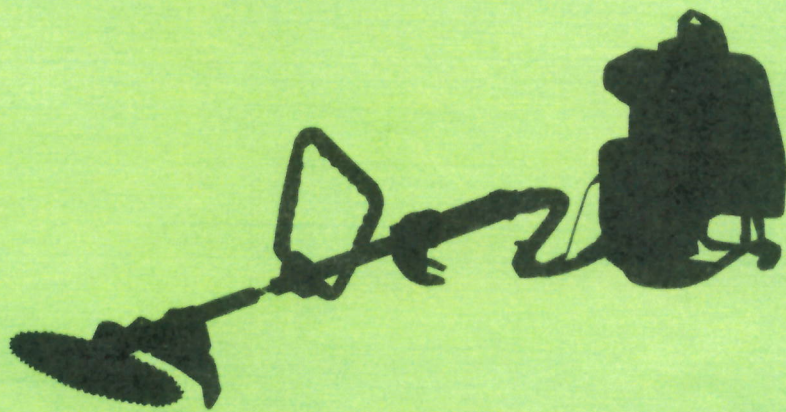


*Jan Kopieren*

# **SPARE PARTS CATALOGUE**

MODEL

## **SUM-351**

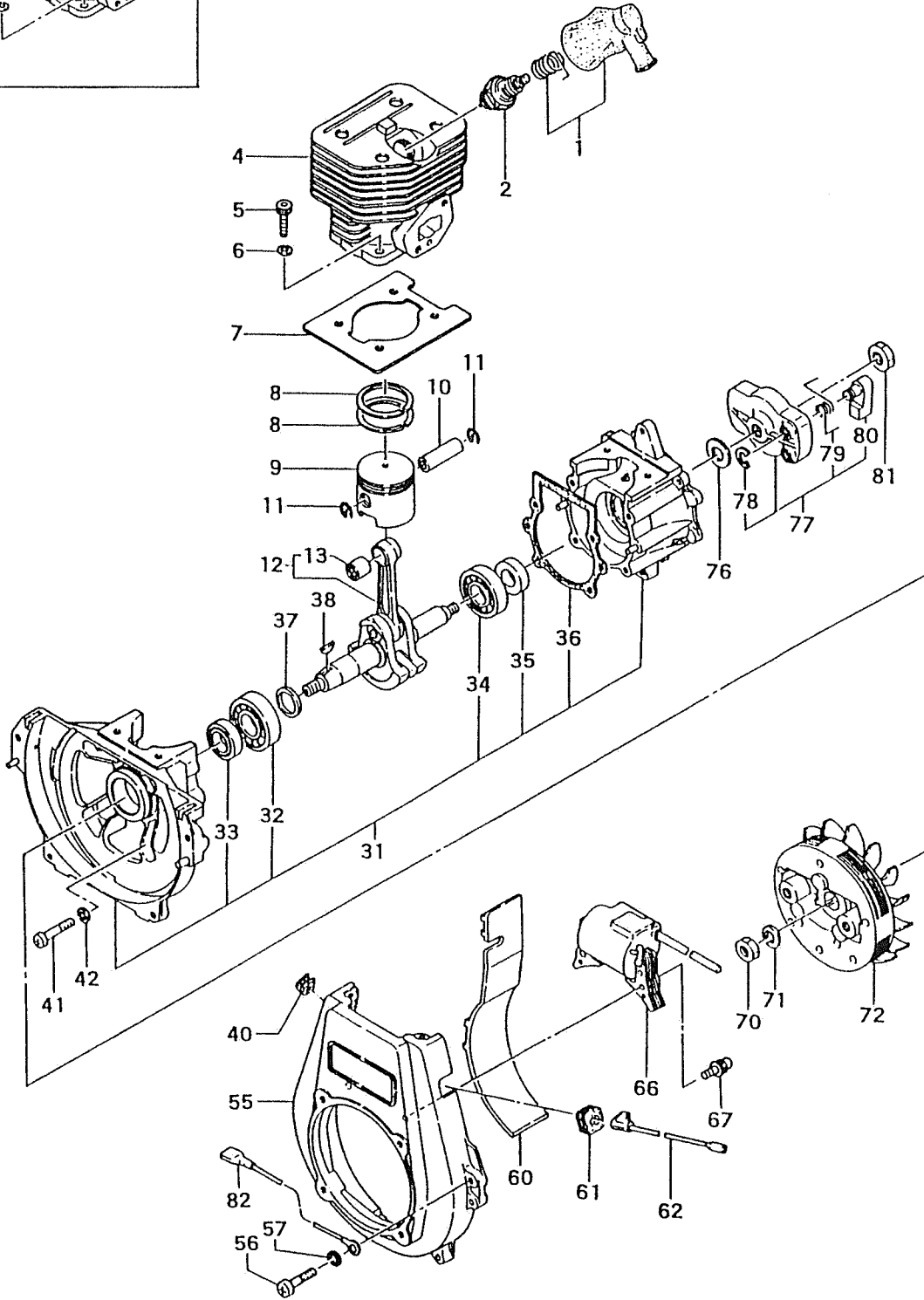
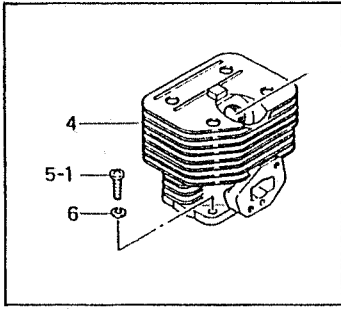


# **Tanaka**

MAR.19, 1991

**(STD)**

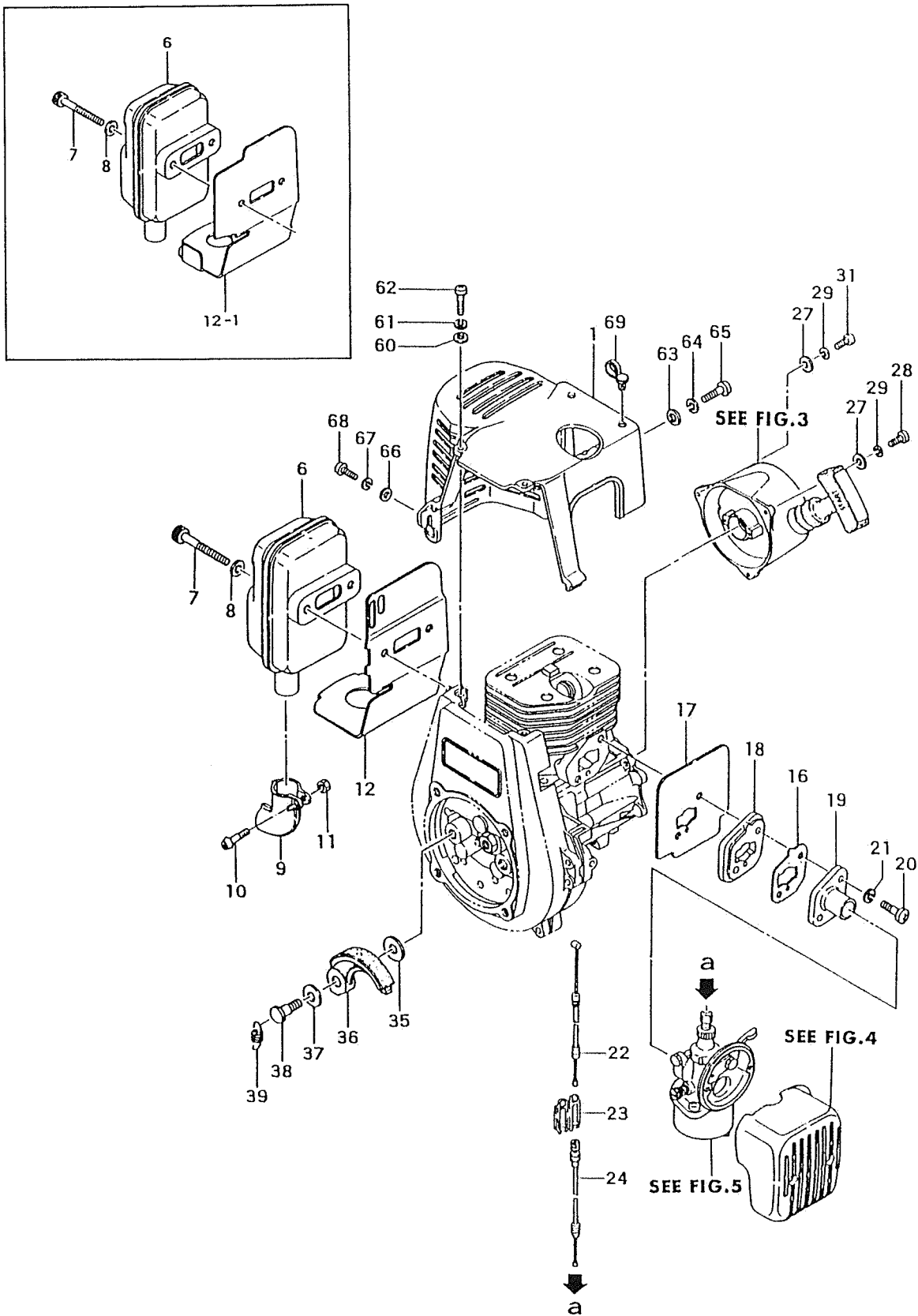
**FIG.1 ENGINE**



REF. NBR	PART NBR	QTY	SERIAL NBR	REMARKS
<b>FIG.1 ENGINE</b>				
1-001	157-0631A-90	1		
1-002	018-11600-20	1		
1-004	002-01350-20	1		
1-005, 1	990-11050-181	4		
1-005	990-51050-183	4	P	-K078301 K078302-
1-006	992-10050-012	4		
1-007	017-01380-20	1		
1-008	041-04000-20	2		
1-009	031-01350-20	1		
1-010	037-01400-20	1		
1-011	039-00000-20	2		
1-012	046-01350-81	1		
1-013	999-62091-325	1		
1-031	072-0138T-90	1		
1-032	999-61620-200	1		
1-033	999-66152-500	1		
1-034	999-61600-200	1		
1-035	999-66122-266	1		
1-036	090-01380-20	1		
1-037	071-02007-20	V		
1-037	071-02007-21	V		
1-037	071-02007-22	V		
1-037	071-02007-23	V		
1-037	071-02007-24	V		
1-038	068-10100-20	1		
1-040	203-06000-20	1		
1-041	990-11050-251	4		
1-042	992-10050-012	4		
1-055	112-01360-22	1		
1-056	990-11050-181	4		
1-057	992-10050-012	4		
1-060	132-01300-20	1		
1-061	203-0604A-20	1		
1-062	178-0136U-81	1		
1-066	167-21951-80	1		
1-067	994-16040-226	2		
1-070	981-01080-01	1		
1-071	992-01080-011	1		
1-072	155-21733-80	1		
1-076	359-10112-20	1		
1-077	798-0162V-90	1		
1-078	993-55005-000	1		
1-079	790-0162V-20	1		
1-080	788-0162V-20	1		
1-081	991-01080-011	1		
1-082	274-0136U-80	1		

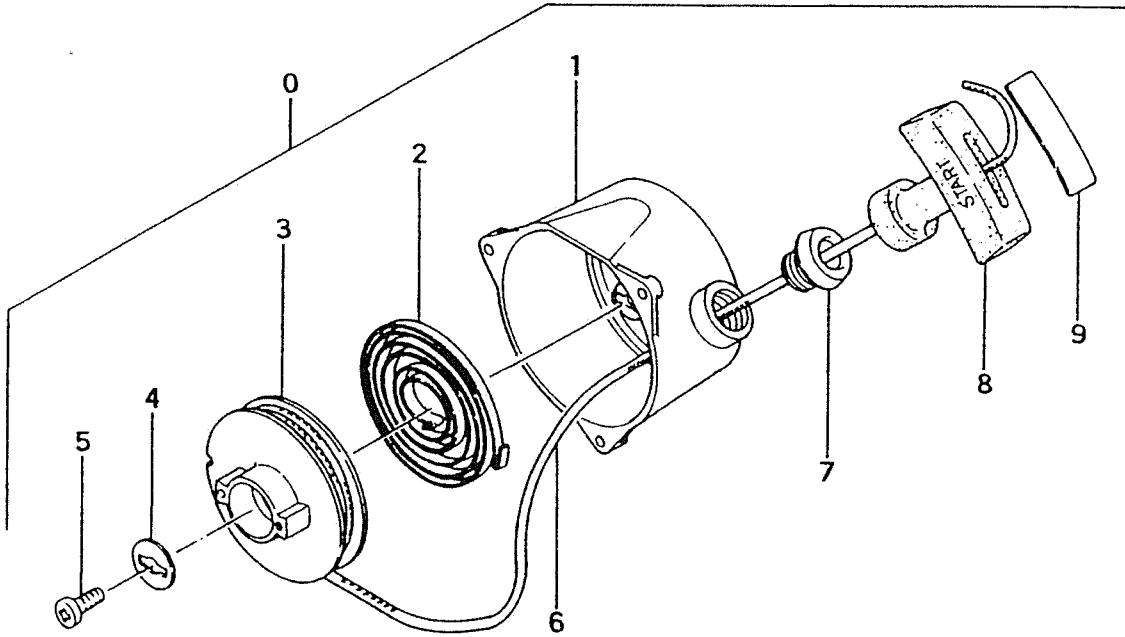


# FIG.2 ENGINE COMPONENTS



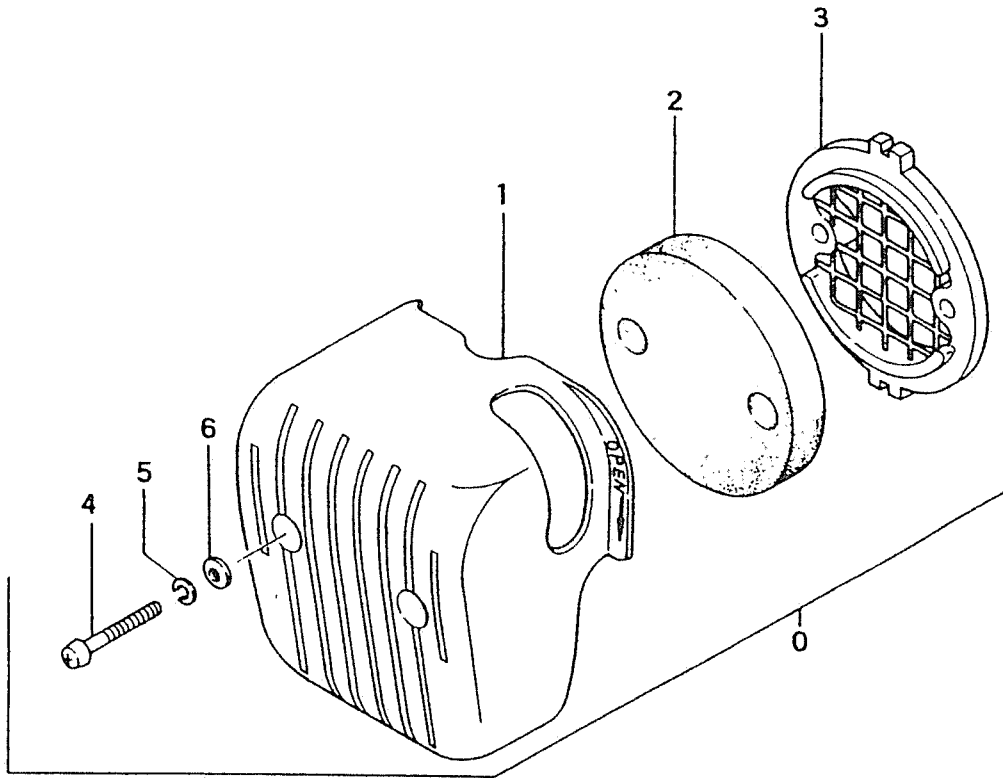
REF. NBR	PART NBR	QTY	SERIAL NBR	REMARKS
<b>FIG.2 ENGINE COMPONENTS</b>				
2-001	738-01380-20	1		
2-006	706-01350-80	1		
2-007	990-53060-603	2		
2-008	992-01060-011	2		
2-009	708-01028-80	1		
2-010	990-11040-121	1		
2-011	991-01040-011	1		
2-012, 1	133-01350-20	1	R	-K078301
2-012	133-01350-21	1		K078302-
2-016	403-0130C-20	1		
2-017	403-01350-20	1		
2-018	404-0130C-20	1		
2-019	393-01350-20	1		
2-020	990-11050-252	2		
2-021	992-10050-041	2		
2-022	887-33344-80	1		
2-023	888-04030-20	1		
2-024	885-0136U-80	1		
2-027	992-00040-011	3		
2-028	990-11040-161	3		-K179625
2-028	990-11040-161	2		K179626-
2-029	992-10040-012	3		
2-031	990-11040-251	1	P	K179626-
2-035	359-10112-20	2		
2-036	290-0136U-80	2		
2-037	358-10112-20	2		
2-038	357-0136U-20	2		
2-039	342-0136U-20	1		
2-060	992-01040-011	2		
2-061	992-10040-012	2		
2-062	990-11040-121	2		
2-063	992-01050-011	1		
2-064	992-10050-012	1		
2-065	990-11050-121	1		
2-066	992-01040-011	1		
2-067	992-10040-012	1		
2-068	990-11040-121	1		
2-069	701-0130C-20	1		

**FIG.3 RECOIL STARTER**



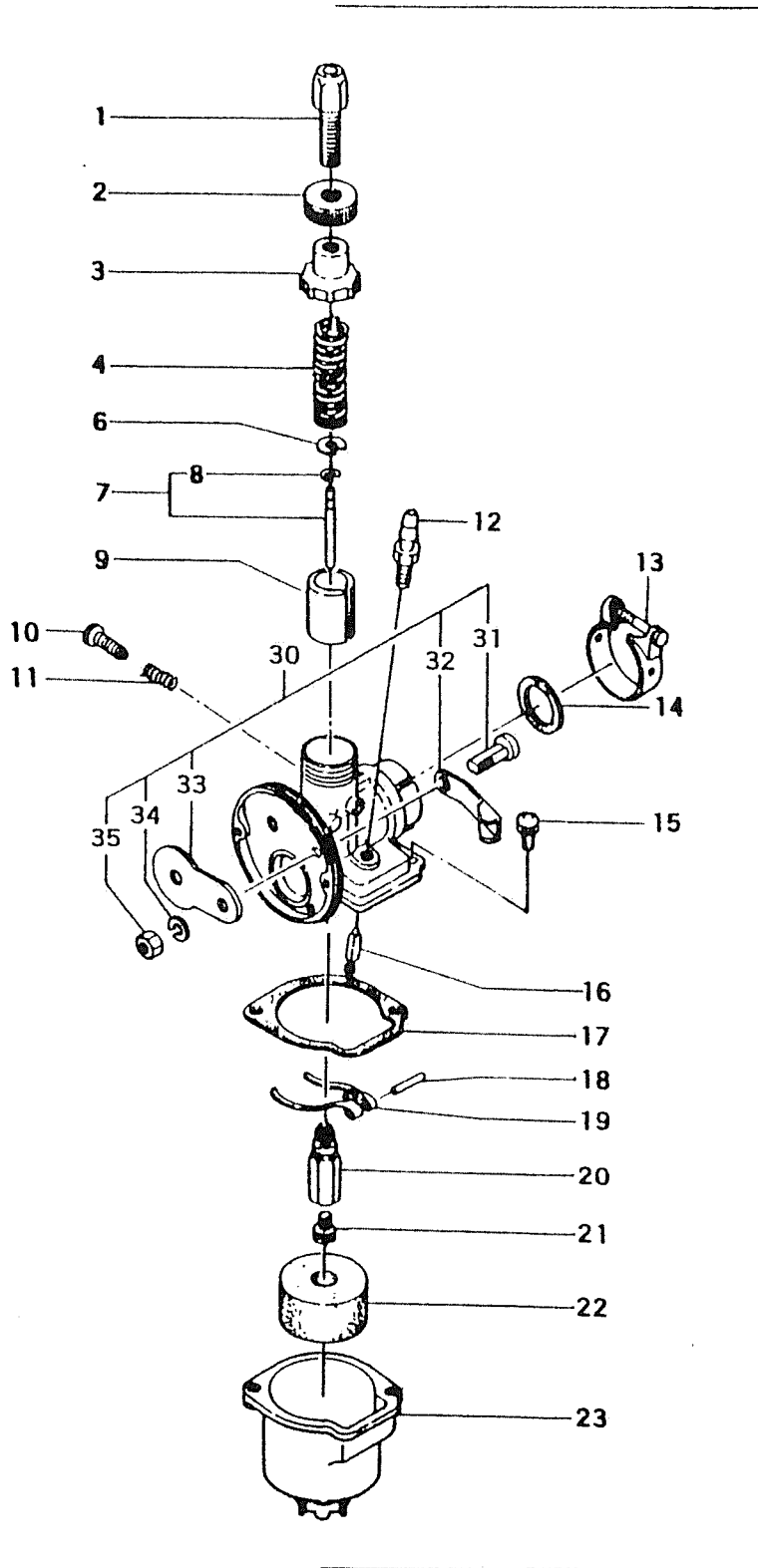
REF. NBR	PART NBR	QTY	SERIAL NBR	REMARKS
<b>FIG.3 RECOIL STARTER</b>				
3-000	762-0136U-90	1		
3-001	772-0136U-20	1		
3-002	779-0136U-20	1		
3-003	774-0162V-20	1		
3-004	801-0162V-20	1		
3-005	990-15050-126	1		
3-006	783-0136U-20	1		
3-007	782-06097-20	1		
3-008	785-01620-20	1		
3-009	795-01620-20	1		

**FIG.4 AIR CLEANER**



REF. NBR	PART NBR	QTY	SERIAL NBR	REMARKS
<b>FIG.4 AIR CLEANER</b>				
4-000	410-00610-90	1		
4-001	423-00610-21	1		
4-002	446-00610-20	1		
4-003	436-00610-21	1		
4-004	990-11040-251	2		
4-005	992-10040-012	2		
4-006	992-00040-011	2		

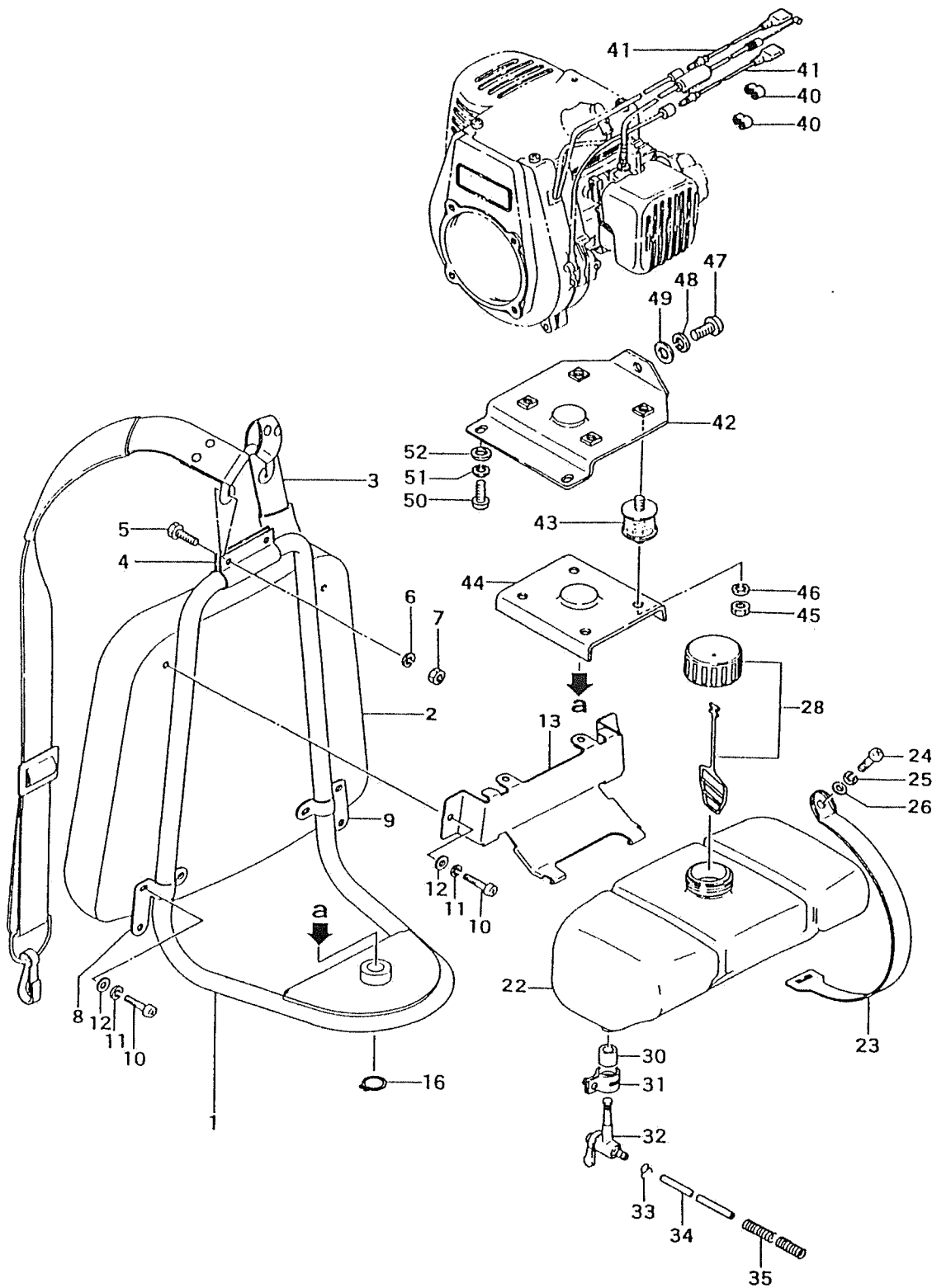
**FIG.5 CARBURETOR**





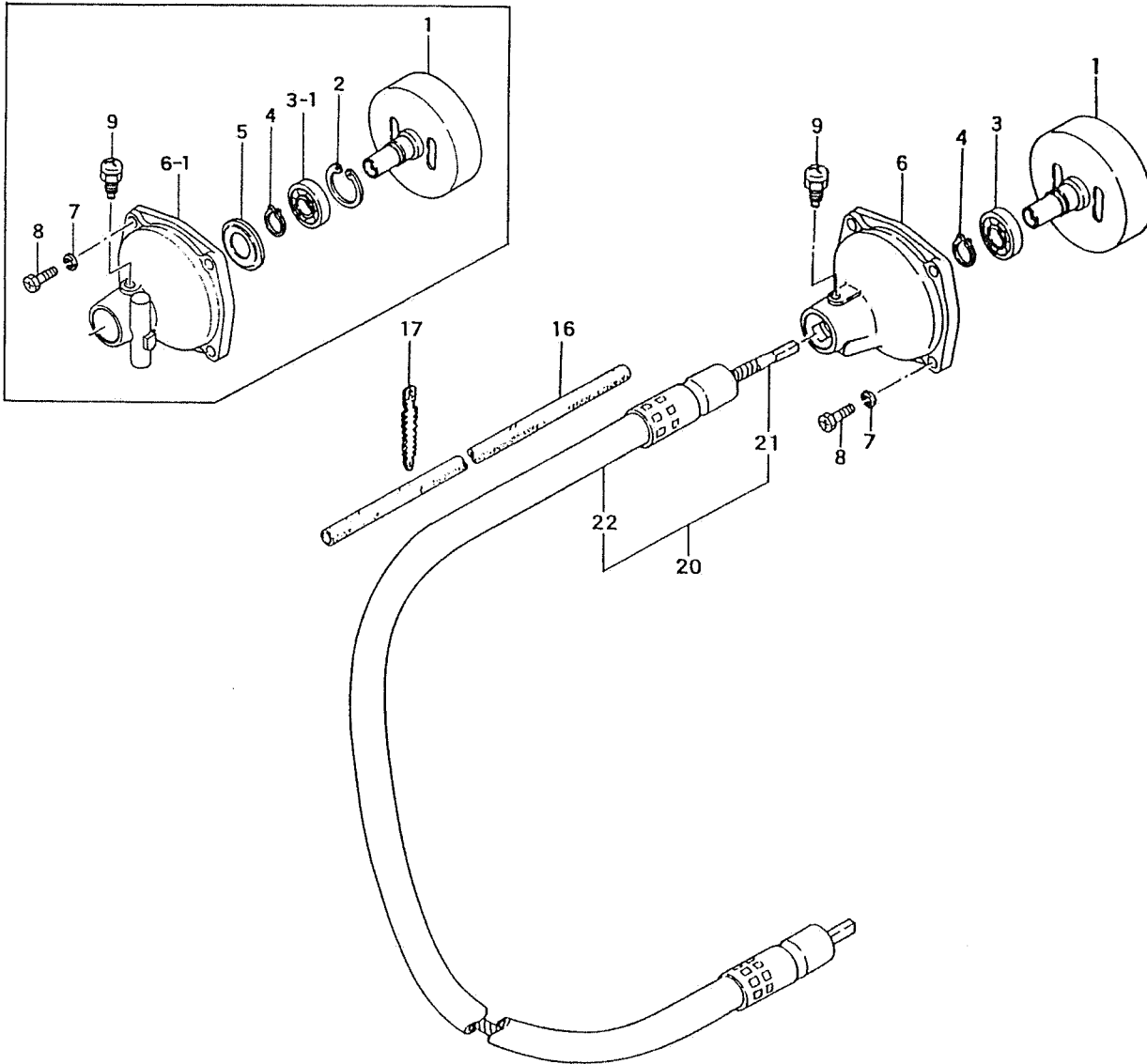
REF. NBR	PART NBR	QTY	SERIAL NBR	REMARKS
<b>FIG.5 CARBURETOR</b>				
5-000	455-20447-90	1		
5-001	597-20110-20	1		
5-002	596-20200-20	1		
5-003	595-20430-20	1		
5-004	594-20110-20	1		
5-006	619-20110-20	1		
5-007	592-2039T-92	1		
5-008	593-20400-20	1		
5-009	591-2023T-20	1		
5-010	622-20110-20	1		
5-011	623-21700-20	1		
5-012	602-20448-20	1		
5-013	561-20400-90	1		
5-014	571-20400-20	1		
5-015	994-34040-100	2		
5-016	603-20444-90	1		
5-017	607-20110-20	1		
5-018	605-20202-20	1		
5-019	628-20400-20	1		
5-020	598-2001T-85	1		
5-021	599-2001T-64	1		
5-022	604-21014-20	1		
5-023	606-20433-80	1		
5-030	494-20447-00	1	N	L090000-
5-031	492-20447-20	1	N	L090000-
5-032	494-20447-20	1	N	L090000-
5-033	493-20447-20	1	N	L090000-
5-034	506-20447-20	1	N	L090000-
5-035	448-20447-20	1	N	L090000-

**FIG.6 SHOULDER FRAME**



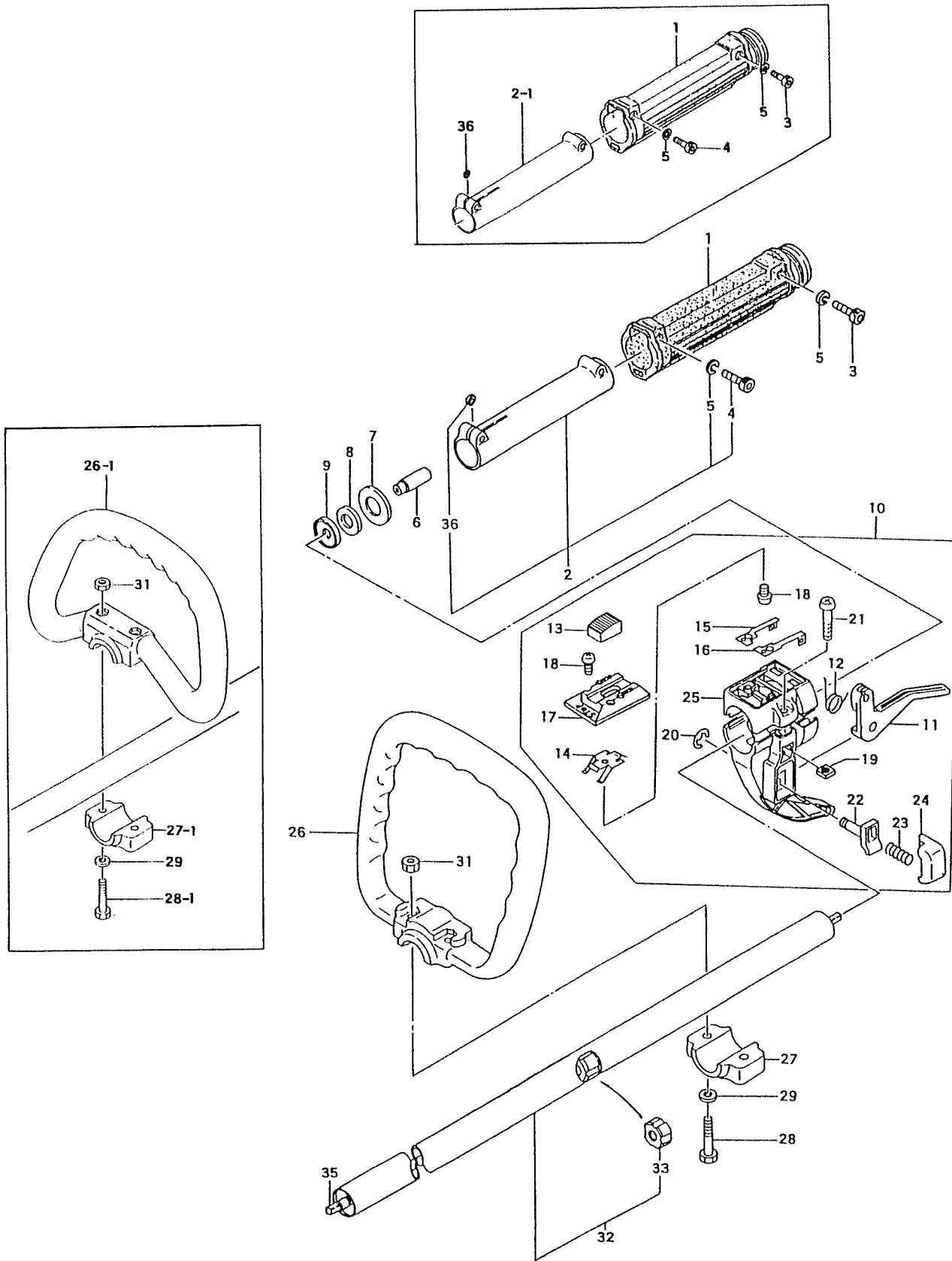
REF. NBR	PART NBR	QTY	SERIAL NBR	REMARKS
<b>FIG.6 SHOULDER FRAME</b>				
6-001	244-33328-80	1		
6-002	245-33331-80	1		
6-003	746-33331-90	1		
6-004	335-33328-20	1		
6-005	990-23050-161	2		
6-006	992-10050-012	2		
6-007	991-01050-011	2		
6-008	247-33328-20	1		
6-009	248-33328-20	1		
6-010	990-11050-121	6		
6-011	992-10050-012	6		
6-012	992-00050-011	6		
6-013	653-33328-80	1		
6-016	993-50014-002	1		
6-022	591-01047-20	1		
6-023	648-33328-20	2		
6-024	990-11050-221	2		
6-025	992-10050-012	2		
6-026	992-00050-011	2		
6-028	595-0136F-90	1		
6-030	222-31700-20	1		→ new 6631725
6-031	680-10209-20	1		
6-032	592-10209-90	1		
6-033	680-01004-20	1		
6-034	700-15008-25	1		
6-035	702-33340-20	1		
6-040	778-36100-20	2		
6-041	178-33340-80	2		
6-042	221-33340-80	1		
6-043	319-33328-80	4		
6-044	220-33328-80	1		
6-045	991-01060-011	4		
6-046	992-10060-012	4		
6-047	990-11060-121	1		
6-048	992-10060-012	1		
6-049	992-01060-011	1		
6-050	990-11050-121	2		
6-051	992-10050-012	2		
6-052	992-01050-011	2		

# FIG.7 CLUTCH CASE



REF. NBR	PART NBR	QTY	SERIAL NBR	REMARKS
<b>FIG.7 CLUTCH CASE</b>				
7-001	332-33340-80	1		
7-002	993-51035-002	1	D	-K114462
7-003, 1	999-61620-204	1		-K114462
7-003	999-61620-201	1	P	K114463-
7-004	993-50015-002	1		
7-005	801-33340-20	1	D	-K114462
7-006, 1	331-33340-21	1		-K114462
7-006	331-33380-20	1	P	K114463-
7-007	992-10060-012	4		
7-008	990-23060-181	4		
7-009	400-33360-80	1		
7-016	279-13070-00	1		
7-017	903-32201-20	3		
7-020	351-33380-90	1		
7-021	351-33380-80	1		
7-022	350-33340-80	1		

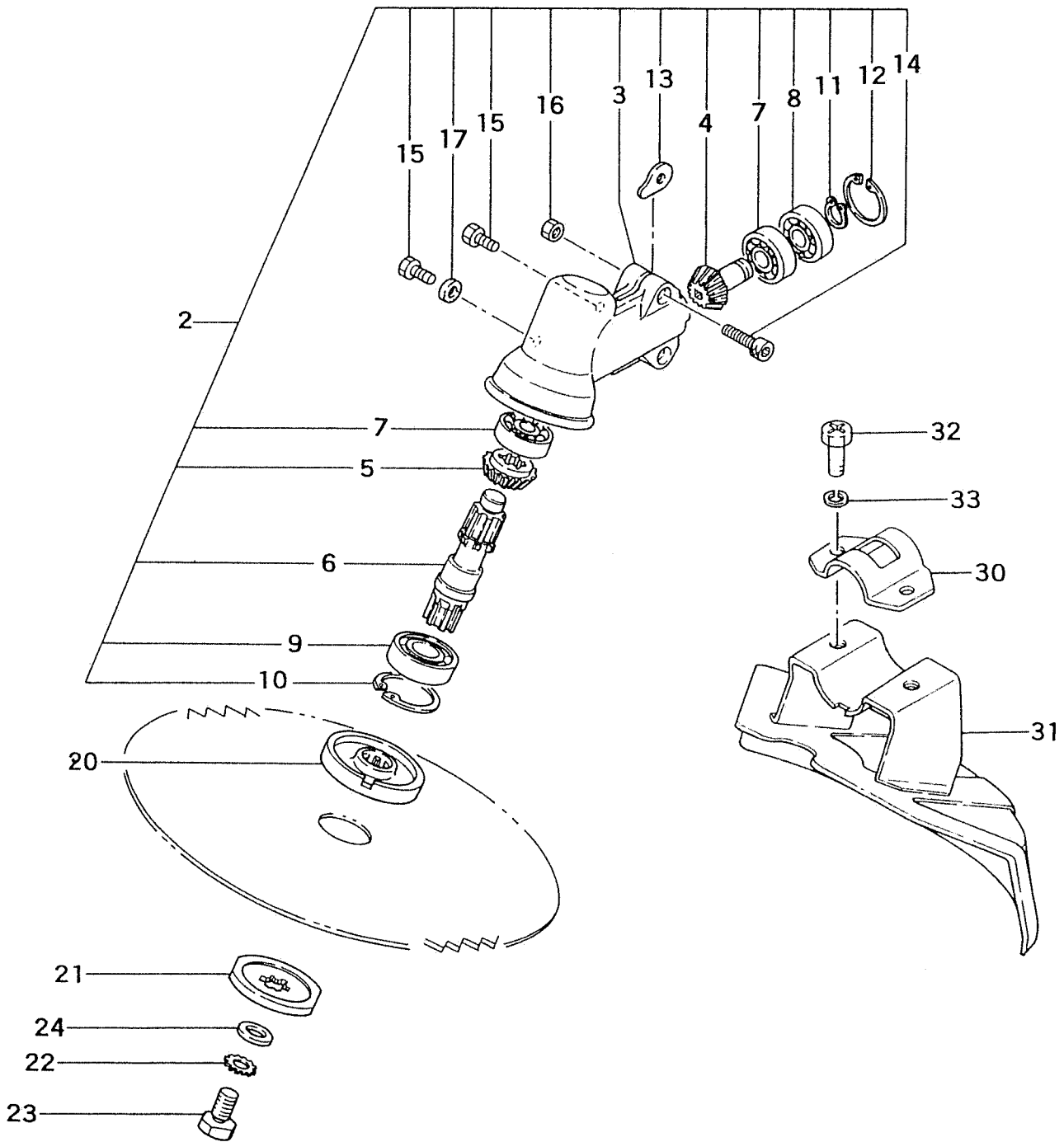
**FIG. 8 HANDLE**



REF. NBR	PART NBR	QTY	SERIAL NBR	REMARKS
<b>FIG.8 HANDLE</b>				
8-001	504-33360-20	1		
8-002, 1	281-33340-20	1	-K078301	
8-002	281-33340-90	1	P K078302-	
8-003	990-51050-253	1		
8-004	990-51050-223	1		
8-005	992-10050-012	2		
8-006	356-33315-20	1		
8-007	320-33315-20	1		
8-008	360-33315-20	1		
8-009	760-33315-20	1		
8-010	870-33340-90	1		
8-011	880-37101-20	1		
8-012	832-37101-20	1		
8-013	162-37101-20	1		
8-014	262-37101-20	1		
8-015	176-37101-20	1		
8-016	177-37101-20	1		
8-017	259-37101-20	1		
8-018	993-42030-081	3		
8-019	315-33340-20	1		
8-020	993-55060-001	1		
8-021	994-31050-201	1		
8-022	853-37101-20	1		
8-023	958-37101-20	1		
8-024	956-37101-20	1		
8-025	260-33340-20	1		
8-026, 1	500-33560-20	1	-K078301	
8-026	500-33341-20	1	N K078302-	
8-027, 1	506-33560-20	1	-K078301	
8-027	506-33341-20	1	N K078302-	
8-028, 1	990-23060-401	2	I -K078301	
8-028	990-23060-351	2	K078302-	
8-029	992-01060-011	2		
8-031	991-01060-011	2		
8-032	341-33331-90	1		
8-033	347-33411-91	4		
8-035	343-33331-20	1		
8-036	708-32350-20	1		



**FIG.9 GEAR CASE**



REF. NBR	PART NBR	QTY	SERIAL NBR	REMARKS
<b>FIG.9 GEAR CASE</b>				
9-002	300-37000-92	1		
9-003	300-33410-22	1		
9-004	302-37000-20	1		
9-005	301-33411-20	1		
9-006	304-37000-20	1		
9-007	999-61600-000	2		
9-008	999-61600-003	1		
9-009	999-61600-203	1		
9-010	993-51032-002	1		
9-011	993-50010-002	1		
9-012	993-51026-002	1		
9-013	324-33410-20	2		
9-014	990-51050-203	2		
9-015	990-23060-121	2		
9-016	991-01050-011	2		
9-017	317-33411-20	1		
9-020	310-33524-20	1		
9-021	311-33411-20	1		
9-022	992-29080-000	1		
9-023	312-33411-20	1		
9-024	992-01080-011	1		
9-030	442-33671-20	1		
9-031	441-37003-80	1		
9-032	990-23060-151	2		
9-033	992-10060-012	2		