

Tanaka



Parts Catalog

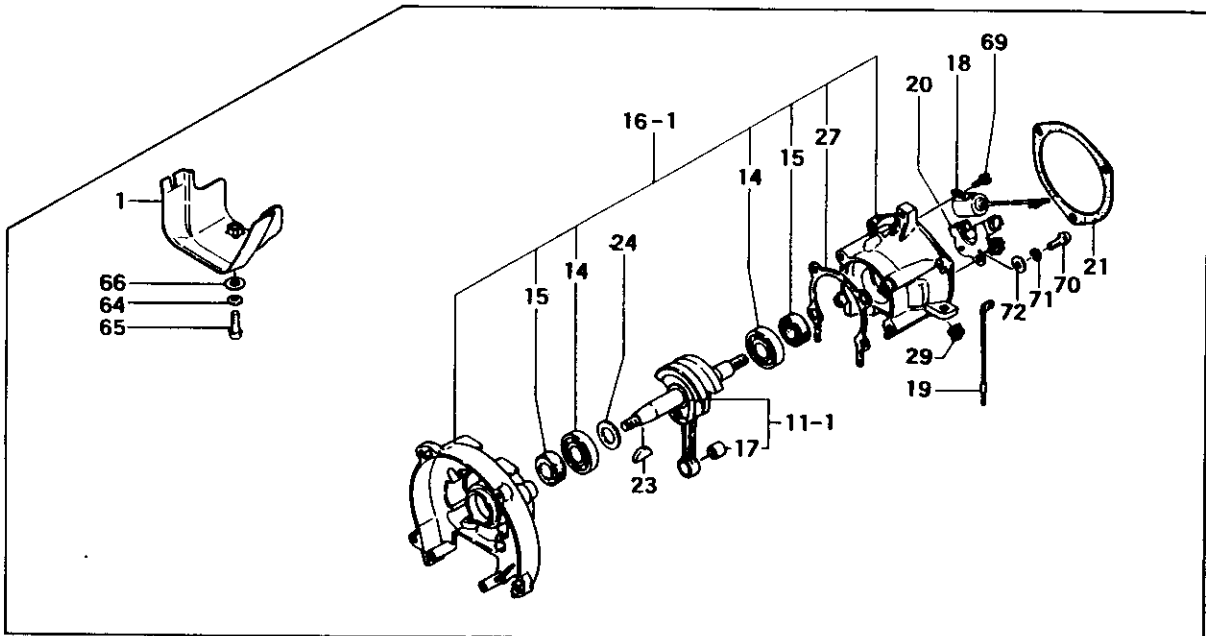
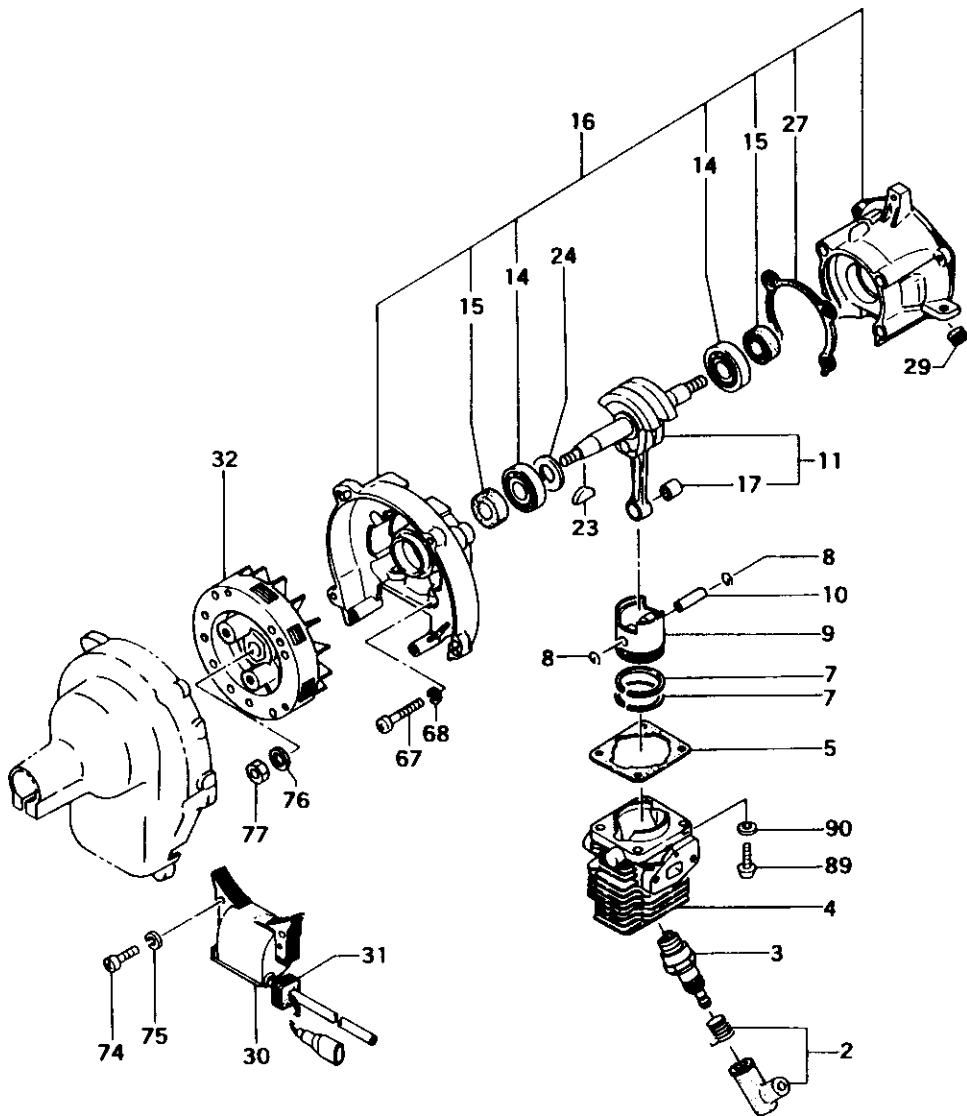


Trimmer/Brushcutter

Model: TBC-160

Units Prior To Serial No. F 008200

FIG. 1 ENGINE



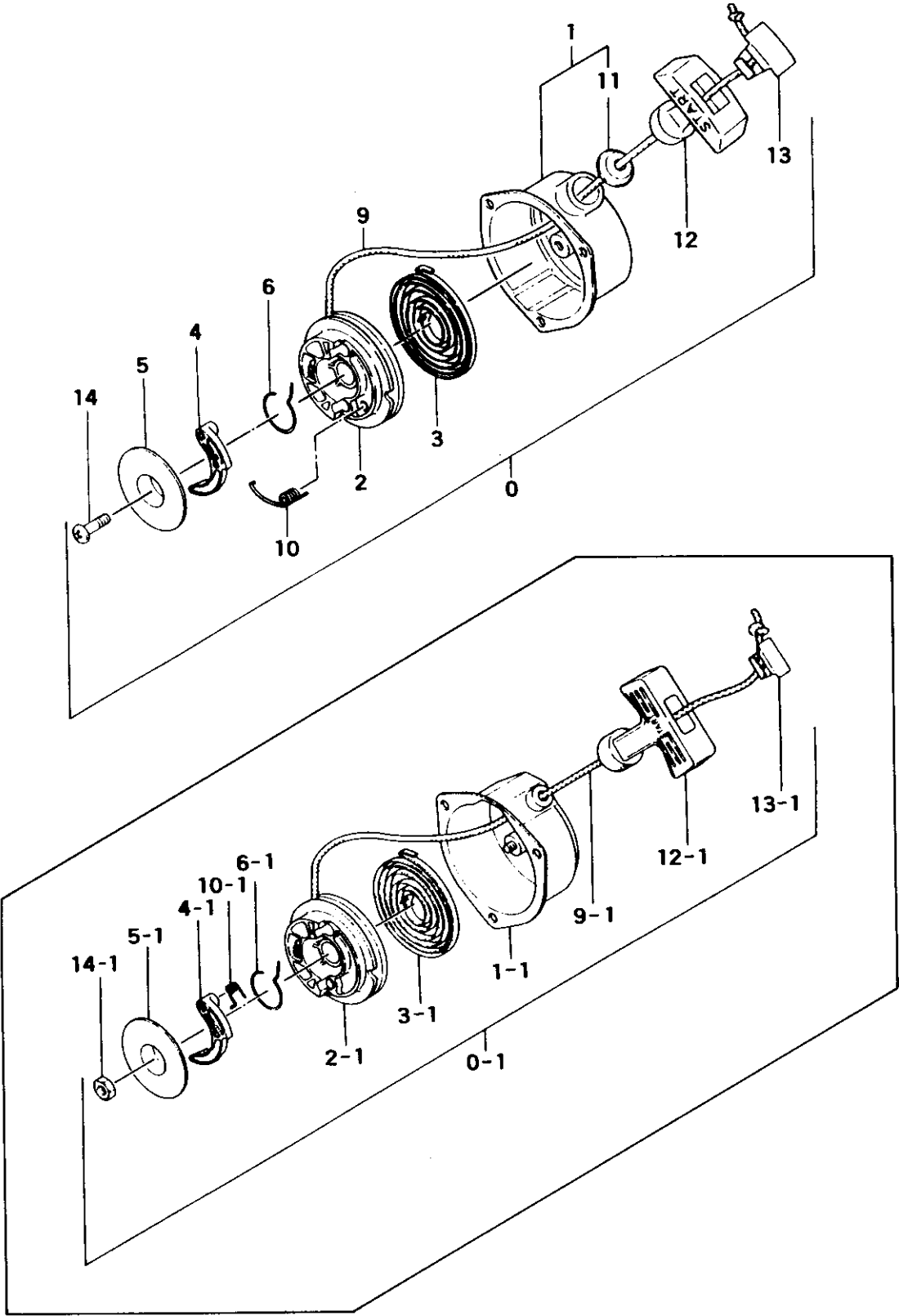
REF. NBR	PART NBR	PART NAME	QTY	SERIAL NBR	REMARKS
1-001	016-06000-800	CYLINDER SHROUD COMP.	1	D C152401-	
1-002	157-04000-900	SPARK PLUG CAP ASS'Y	1		
1-003	018-00502-200	SPARK PLUG BM6A	1		
1-004	002-06020-200	CYLINDER	1	R -C152400	
1-004	002-0602K-800	CYLINDER COMP.	1	R -D104185	
1-004	002-0602K-801	CYLINDER COMP.	1	D104186-	
1-005	017-06100-200	CYLINDER GASKET	1		
1-007	041-06100-200	PISTON RING	2		
1-008	039-06100-200	CIR CLIP	2		
1-009	031-06100-200	PISTON	1	-D071573	
1-009	031-06150-200	PISTON	1	N D071574-	
1-010	037-06100-200	PISTON PIN	1		
1-011, 1	046-06000-800	CRANK SHAFT COMP.	1	R -C152400	
1-011	046-0605A-800	CRANK SHAFT COMP.	1	-D071573	
1-011	046-0605A-810	CRANK SHAFT COMP.	1	N D071574-	
1-014	999-61600-100	BALL BEARING #6001, 28MM/OD	2		
1-015	999-66122-266	OIL SEAL 12227	2		
1-016, 1	072-06020-900	CRANK CASE ASS'Y	1	-C152400	
1-016	072-0602K-900	CRANK CASE ASS'Y	1	N C152401-	
1-017	999-62071-127	NEEDLE BEARING F-79	1		
1-018	177-21501-800	CONDENSER COMP.	1	D C152401-	
1-019	173-06020-800	PRIMARY CORD COMP., Y145M	1	D C152401-	
1-020	160-21501-900	CONTACT BREAKER B ASS'Y	1	D C152401-	
1-021	810-06000-201	RECOIL STARTER GASKET	1	D E231001-	
1-023	068-10100-200	WOOD-RUFF KEY 3X13X4.5	1		
1-024	330-00200-210	GEAR SHAFT SHIM 0.10	V		
1-024	330-00200-220	GEAR SHAFT SHIM 0.15	V		
1-024	330-00200-230	GEAR SHAFT SHIM 0.20	V		
1-024	330-00200-240	GEAR SHAFT SHIM 0.30	V		
1-027	090-06000-201	CRANK CASE GASKET	1	I -C174472	
1-027	090-06000-202	CRANK CASE GASKET	1	C174473-	
1-029	203-06000-200	PRIMARY CORD GROMMET	1		
1-030	167-21501-800	IGNITION COIL COMP.	1	-D104185	
1-030	167-20745-801	IGNITION COIL COMP.	1	P D104186-	
1-031	203-10000-200	PRIMARY CORD GROMMET	1		
1-032	155-21702-800	MAGNETO ROTOR COMP.	1		
1-064	992-10050-012	S. WASHER 5	1	D C152401-	
1-065	990-11050-161	SCREW 5X16	1	D C152401-	
1-066	992-00050-011	SMALL WASHER 5	1	D C152401-	
1-067	990-11050-301	SCREW 5X30	4		
1-068	992-10050-012	S. WASHER 5	4		
1-069	990-11040-081	SCREW 4X8	1	D C152401-	
1-070	990-11040-101	SCREW 4X10	1	D C152401-	
1-071	992-10040-012	S. WASHER 4	1	D C152401-	
1-072	992-01040-011	WASHER 4	1	D C152401-	
1-074	990-11040-181	SCREW 4X18	2		
1-075	992-10040-012	S. WASHER 4	2		
1-076	065-00000-200	FLYWHEEL WASHER	1		
1-077	327-00201-200	NUT 7 (L. H. THREAD)	1		
1-089	990-11050-161	SCREW 5X16	4		
1-090	992-10050-012	S. WASHER 5	4		

REF. NBR	PART NBR	PART NAME	QTY	SERIAL NBR	REMARKS
2-001,1	738-06000-801	MUFFLER PROTECTOR COMP.	1	-C152400	
2-001	738-0602K-200	MUFFLER PROTECTOR	1	N -C210373	
2-001	738-0602K-200	MUFFLER PROTECTOR	1	R -C210373	
2-001	738-0602K-201	MUFFLER PROTECTOR	1	C210374-	
2-002	011-0630B-200	CYLINDER COVER COLLAR	1		
2-003	992-00050-011	SMALL WASHER 5	1	N	
2-003	992-01050-011	WASHER 5	1		
2-004	990-11050-141	SCREW 5X14	1	M	
2-004	990-11050-181	SCREW 5X18	1		
2-005,1	737-06100-210	MUFFLER GASKET	1	-C152400	
2-005,2	133-0602K-200	HEAT SHIELD	1	N -C210373	
2-005,2	133-0602K-200	HEAT SHIELD	1	R -C210373	
2-005,2	133-0602K-201	HEAT SHIELD	1	-D041400	
2-005,2	133-0602K-202	HEAT SHIELD	1	P -E057390	
2-005,2	133-0602K-202	HEAT SHIELD	1	R -E057390	
2-005	133-0602K-203	HEAT SHIELD	1	R -E231000	
2-005	133-0602K-204	HEAT SHIELD	1	E231001-	
2-006,1	403-06020-200	INLET MANIFOLD GASKET	1	R -C152400	
2-006	403-0602K-200	INLET MANIFOLD GASKET	1	-C210373	
2-006	403-0602K-201	INLET MANIFOLD GASKET	1	P C210374-	
2-007,1	404-06020-202	INSULATOR	1	-C152400	
2-007	404-0602K-200	CARBURETOR INSULATOR	1	N C152401-	
2-008,1	159-21401-871	IGNITOR COMP. TTI-1E	1	-D150567	
2-008	159-0639V-900	IGNITER ASS'Y TTI-1F	1	M	
2-008	159-21401-872	IGNITOR COMP. TTI-1F	1	N D150568-	
2-009	599-0602K-200	CUSHION RUBBER	1	N C210374-	
2-009	599-0602K-200	CUSHION RUBBER	1	D E057391-	
2-010	992-10050-012	S.WASHER 5	1		
2-011,1	885-0602R-900	THROTTLE WIRE ASS'Y	1	-C152400	
2-011	885-0602K-800	THROTTLE WIRE COMP.	1	N -C210373	
2-011	885-0602K-800	THROTTLE WIRE COMP.	1	R -C210373	
2-011	885-0602K-801	THROTTLE WIRE COMP.	1	C210374-	
2-012,1	178-0602K-800	STOP CORD COMP.	1	N C152401-	
2-012,1	178-0602K-800	STOP CORD COMP.	1	-D150567	
2-012	173-01620-800	IGNITOR LEAD WIRE COMP., R110M	1	N D150568-	
2-015	357-00601-200	STEP BOLT	2		
2-016	348-0602R-200	CLUTCH PLATE A	2		
2-017	342-00501-204	CLUTCH SPRING	1		
2-018	290-00501-802	CLUTCH SHOE COMP.	2		
2-019	359-02103-200	CLUTCH WASHER B	2		
2-020	798-06000-201	STARTER PULLEY	1	R -C152400	
2-020	798-06094-200	STARTER PULLEY	1	C152401-	
2-023	655-06100-200	FUEL TANK CUSHION RUBBER	4		
2-024	653-06000-200	FUEL TANK BRACKET	1		
2-030	991-16080-003	NUT 8 (L.H. THREAD)	1		
2-035	700-03005-062	FUEL PIPE	1	-C152400	
2-035	700-03005-150	FUEL PIPE 3X5X150	1	N C152401-	
2-037	598-06020-900	PUMP FILTER ASS'Y	1		
2-050	595-0062A-910	TANK CAP ASS'Y, ORANGE	1	M	
2-050	595-0062A-901	TANK CAP ASS'Y	1		
2-055	591-0602R-200	TANK	1	I -C152400	
2-055	591-0602K-200	FUEL TANK	1	C152401-	
2-061	170-00750-801	STOP BUTTON COMP.	1	D C152401-	
2-066	592-06666-900	PET-COCK ASS'Y	1	-C174472	
2-066	592-06666-901	PET-COCK ASS'Y	1	P C174473-	
2-072	359-10112-203	CLUTCH WASHER B	1		
2-080	990-11040-101	SCREW 4X10	2	M	
2-080	990-11040-121	SCREW 4X12	1		
2-081	992-10040-012	S.WASHER 4	2	M	
2-081	992-10040-012	S.WASHER 4	1		
2-082	992-01040-011	WASHER 4	2	M	
2-082	992-01040-011	WASHER 4	1		
2-083	990-11050-121	SCREW 5X12	1		

- To be cont'd -

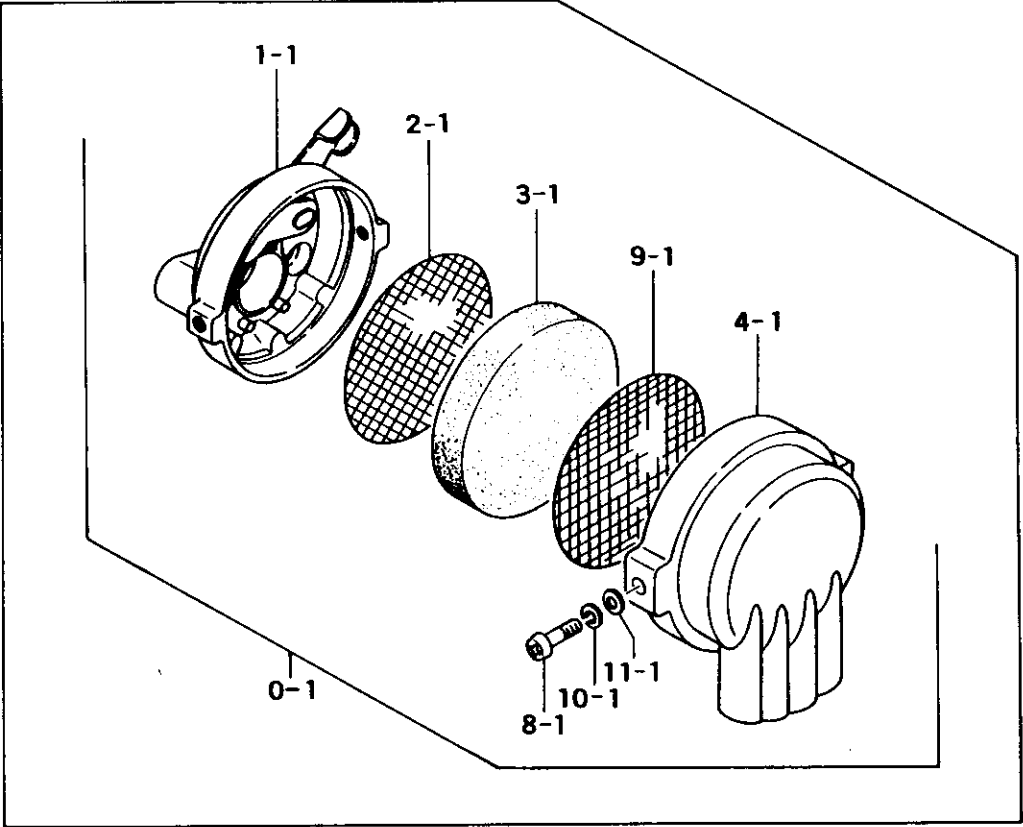
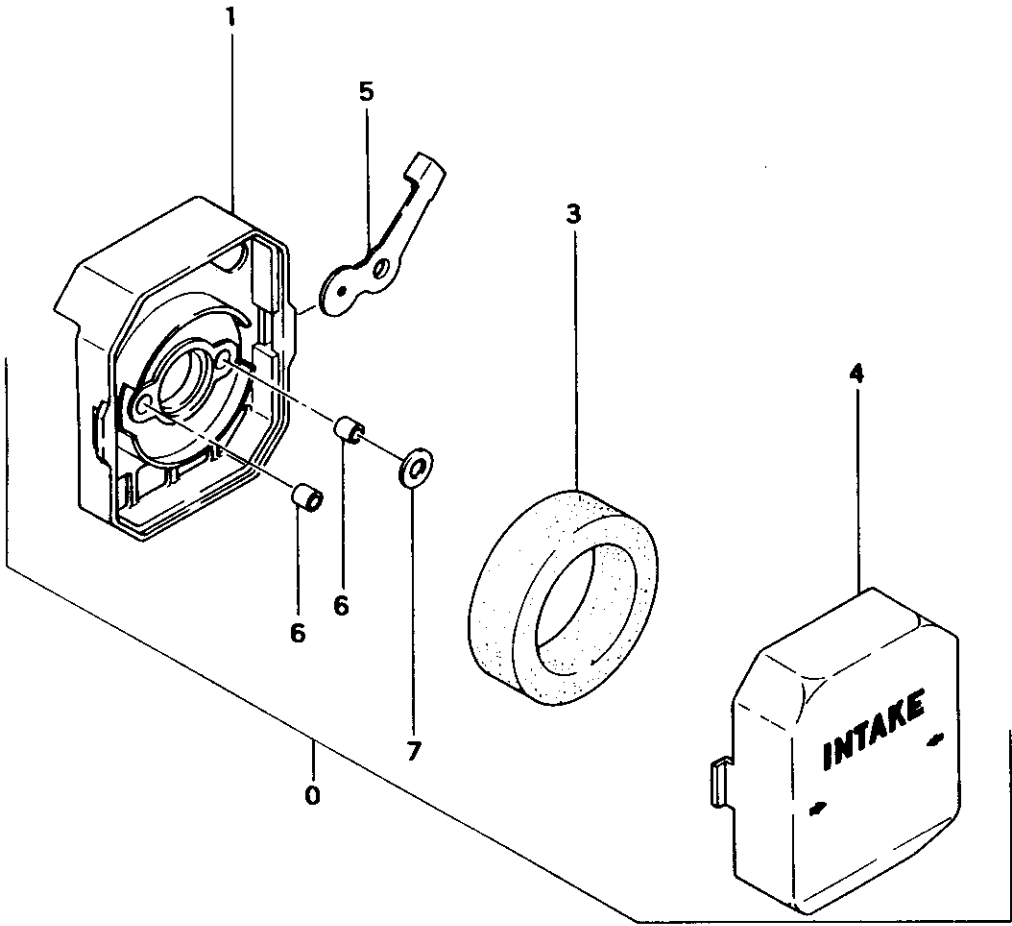
REF. NBR	PART NBR	PART NAME	QTY	SERIAL NBR	REMARKS
2-084	992-10050-012	S.WASHER 5	1		
2-085	992-01050-011	WASHER 5	1		
2-088	990-11050-121	SCREW 5X12	3	-C152400	
2-088	990-11050-141	SCREW 5X14	3	N C152401-	
2-089	992-10050-012	S.WASHER 5	3		
2-090	992-00050-011	SMALL WASHER 5	3		
2-096	990-11050-121	SCREW 5X12	1	N	
2-096	990-11050-141	SCREW 5X14	1		
2-097	992-10050-012	S.WASHER 5	1		
2-106	992-00050-011	SMALL WASHER 5	2		
2-107	990-11050-451	SCREW 5X45	2	N	
2-107	990-11050-421	SCREW 5X42	2		
2-108	992-10050-012	S.WASHER 5	2		
2-150.1	990-11050-601	SCREW 5X60	2	-C152400	
2-150	990-11050-751	SCREW 5X75	2	N C152401-	
2-151	992-10050-012	S.WASHER 5	2		
2-152	992-00050-011	SMALL WASHER 5	2		
2-153	990-11050-121	SCREW 5X12	2		
2-154	990-11050-161	SCREW 5X16	4		
2-155	990-23050-206	H.T. BOLT 5X20	1		
2-156	992-10050-012	S.WASHER 5	1		
2-157	992-00050-011	SMALL WASHER 5	1		
2-160	992-10050-012	S.WASHER 5	2		
2-161	992-10050-012	S.WASHER 5	4		
2-181	680-06020-900	CLIP ASS'Y	1		
2-184	324-33900-200	GEAR CASE WASHER	1	N D217601-	
2-185.1	112-06020-202	FAN CASE	1	R -C152400	
2-185.1	112-0602K-200	FAN CASE	1	-D008050	
2-185.1	112-0602K-201	FAN CASE	1	P -D150567	
2-185.1	112-0602K-201	FAN CASE	1	M	
2-185	112-0602K-210	FAN CASE	1	R -D217600	
2-185	112-0602K-220	FAN CASE	1	N	
2-185	112-0602K-800	FAN CASE SET	1	D217601-	
2-186	941-06000-201	STAND	1	R -C152400	
2-186	941-0602K-200	STAND	1	C152401-	
2-187	289-06020-801	CLUTCH SHAFT COMP.	1		
2-188	993-51032-002	STOP RING C-32 IN	1		
2-189	999-61620-101	BALL BEARING #6201ZZ. 32MM/OD	1		
2-190	993-50012-002	STOP RING C-12 EX	1		
2-191	801-06020-200	STEP WASHER	1		
2-193	992-04080-030	WAVE WASHER 8	2	N	
2-193	992-04080-031	WAVE WASHER 8	2	-C152400	
2-193	992-05080-030	BENT WASHER 8	2	N C152401-	
2-194.1	990-11040-161	SCREW 4X16	2	-D150567	
2-194	990-11040-081	SCREW 4X8	1	N D150568-	
2-195.1	992-10040-012	S.WASHER 4	2	-D150567	
2-195	992-10040-012	S.WASHER 4	1	D150568-	
2-204.1	402-06020-200	CARBURETOR GASKET	1	-C152400	
2-204	402-0602K-200	CARBURETOR GASKET	1	N C152401-	
2-206.1	431-06020-200	CLEANER GASKET	1	-C152400	
2-206	431-0602K-200	AIR CLEANER GASKET	1	N C152401-	
2-207	198-01046-900	CORD CLAMP ASS'Y	1	N C174473-	
2-209.1	778-36100-200	CORD CLAMP	1	-C210373	
2-209	264-0602K-200	CORD PROTECTION VINYL	1	N C210374-	
2-210.1	706-06000-800	MUFFLER COMP.	1	-C152400	
2-210	706-0602B-900	MUFFLER ASS'Y W/ARRESTER	1	N C152401-	
2-211	740-0602B-201	MUFFLER COLLAR	2		
2-212	739-0602B-200	MUFFLER COUPLING GASKET	2		
2-213	722-0602B-800	MUFFLER PARTITION PLATE COMP.	1		
2-214	717-0602B-200	MUFFLER BODY B	1		

FIG.3 RECOIL STARTER



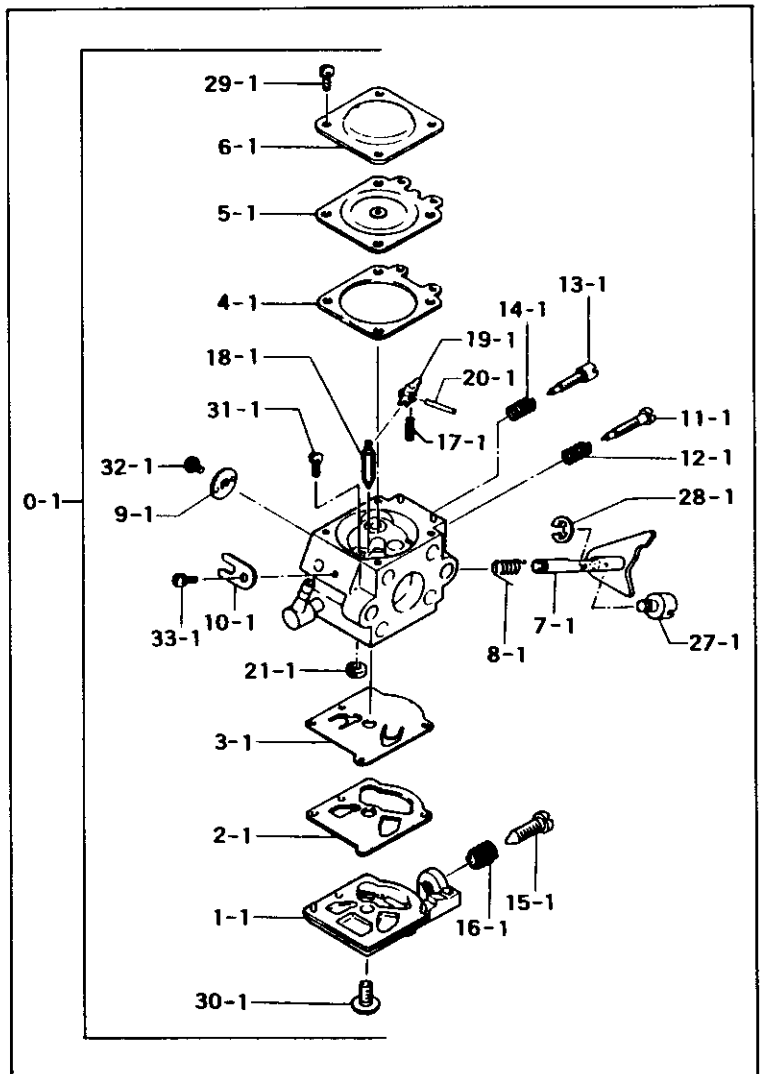
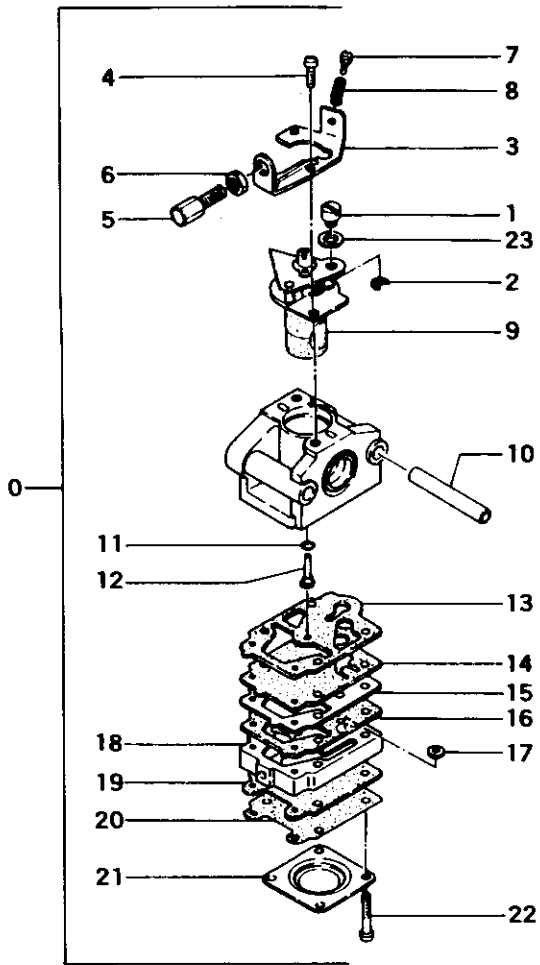
REF. NBR	PART NBR	PART NAME	QTY	SERIAL NBR	REMARKS
3-000,1	762-06000-901	RECOIL STARTER BODY ASSY	1	R -C152400	
3-000,1	762-0601R-900	RECOIL STARTER BODY ASS'Y	1	R -C174472	
3-000	762-0602K-900	RECOIL STARTER BODY ASS'Y	1	I -E231000	
3-000	762-0602K-901	RECOIL STARTER BODY ASS'Y	1	E231001-	
3-001,1	772-06000-801	RECOIL STARTER BODY COMP.	1	R -C152400	
3-001	772-0601R-200	RECOIL STARTER BODY	1	-E231000	
3-001	772-0601R-210	RECOIL STARTER BODY	1	N -E309740	
3-001	772-0601R-210	RECOIL STARTER BODY	1	R -E309740	
3-001	772-0601R-800	RECOIL STARTER BODY COMP.	1	E309741-	
3-002,1	774-06000-210	STARTER ROPE REEL	1	I -C152400	
3-002	769-06092-200	STARTER ROPE REEL	1	C152401-	
3-003,1	779-06000-200	RECOIL SPRING	1	I -C152400	
3-003	779-06092-200	RECOIL SPRING	1	N	
3-003	779-01250-200	RECOIL SPRING	1	C152401-	
3-004,1	788-06000-210	STARTER PAWL	1	I -C152400	
3-004	788-06092-200	STARTER PAWL	1	C152401-	
3-005,1	837-06000-201	FRICTION PLATE	1	I -C152400	
3-005	837-06092-200	FRICTION PLATE	1	C152401-	
3-006,1	836-06000-200	FRICTION SPRING	1	I -C152400	
3-006	836-01250-200	FRICTION SPRING	1	M	
3-006	836-06092-200	FRICTION SPRING	1	C152401-	
3-009,1	783-06000-200	ROPE	1	I -C152400	
3-009	783-06092-200	ROPE 3.5X890L	1	C152401-	
3-010,1	832-06000-200	RETURN SPRING	1	I -C152400	
3-010	832-06092-200	RETURN SPRING	1	C152401-	
3-011	782-06097-200	ROPE GUIDE	1	-E231000	
3-011	782-0602K-200	ROPE GUIDE	1	N E231001-	
3-012,1	785-06000-200	STARTER HANDLE	1	I -C152400	
3-012	785-06097-200	STARTER HANDLE	1	C152401-	
3-013,1	815-06000-200	STARTER HANDLE METAL	1	M	
3-013,1	835-05004-200	HANDLE CAP	1	I -C152400	
3-013	795-0602K-200	STARTER HANDLE CAP	1	C152401-	
3-014,1	991-01050-013	NUT 5	1	-C152400	
3-014	990-15050-121	SCREW 5X12	1	N -E231000	
3-014	990-15050-126	SCREW 5X12	1	N E231001-	

FIG.4 AIR CLEANER



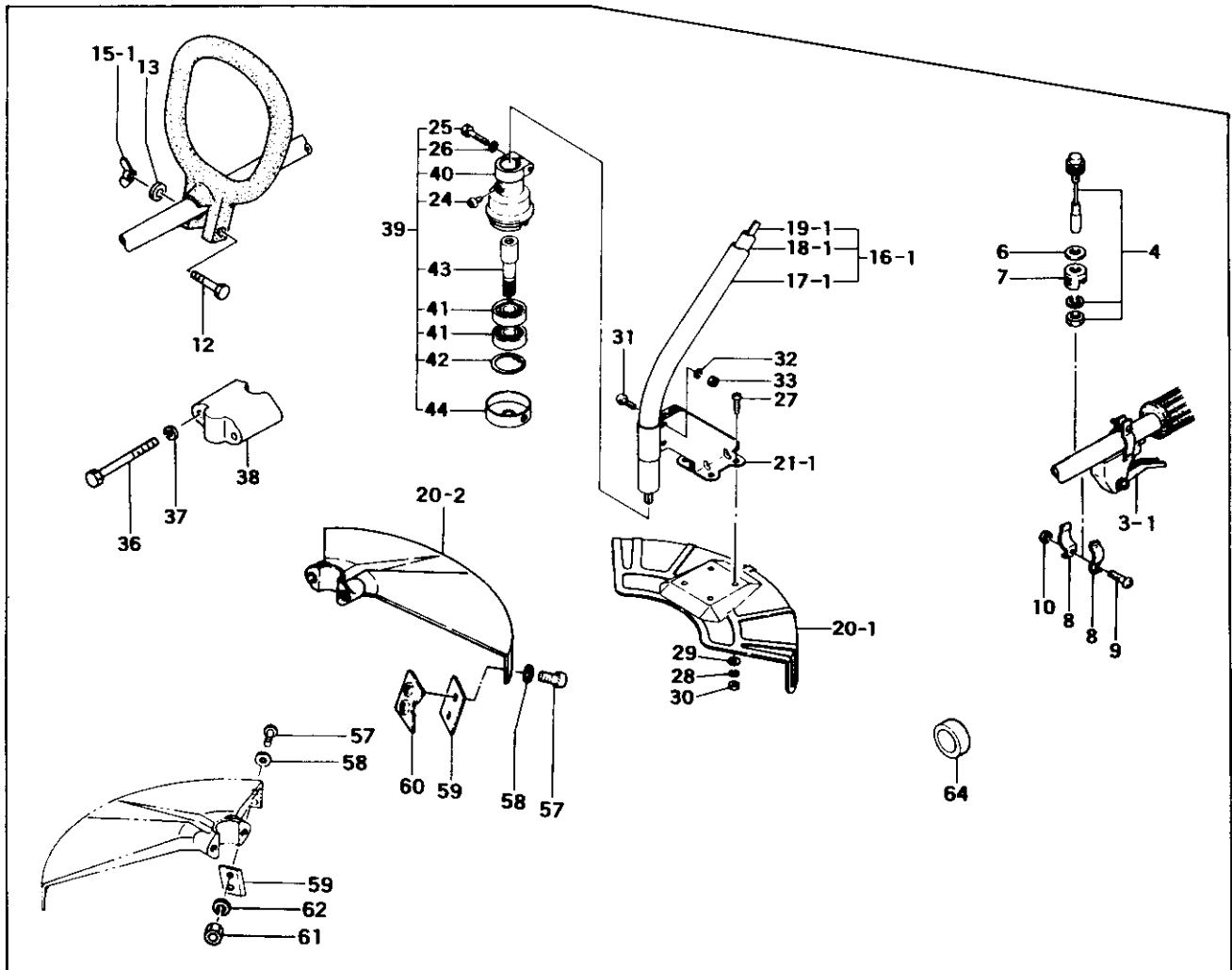
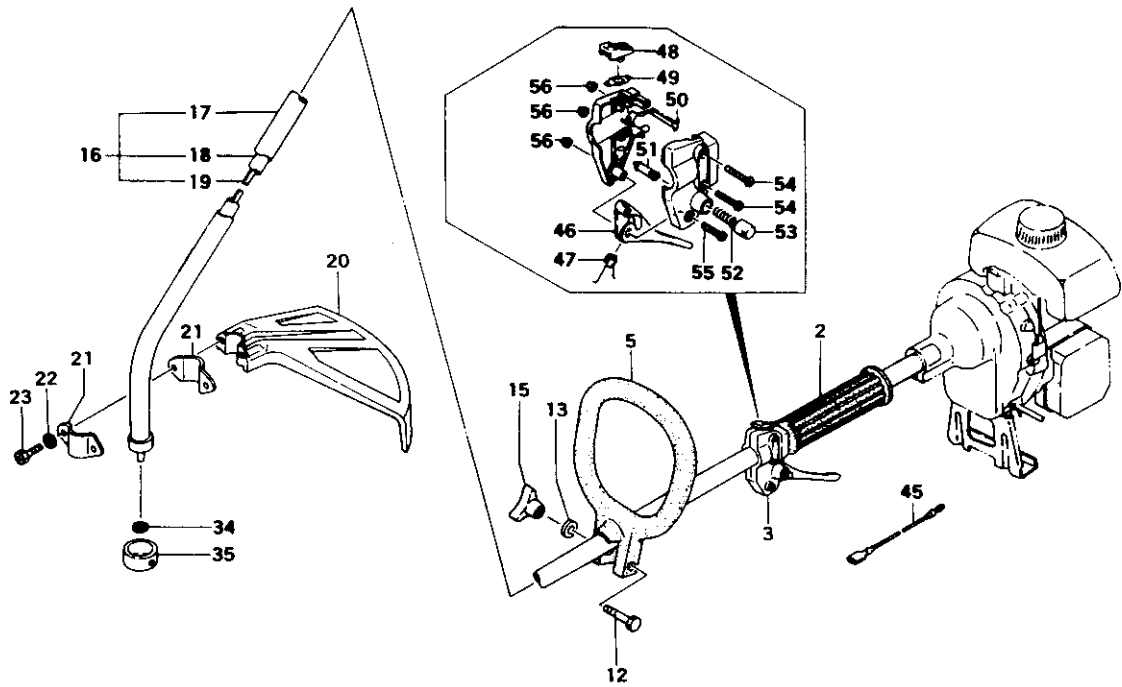
REF. NBR	PART NBR	PART NAME	QTY	SERIAL NBR	REMARKS
4-000,1	410-0602R-900	AIR CREAMER ASS'Y	1	-C152400	
4-000	410-0602K-900	AIR CLEANER ASS'Y	1	N -D041400	
4-000	410-0602K-900	AIR CLEANER ASS'Y	1	R -D041400	
4-000	410-0602K-901	AIR CLEANER ASS'Y	1	D041401-	
4-001,1	423-0602R-800	CLEANER BODY COMP.	1		
4-002,1	426-0602R-200	CLEANER HOLDER	1		
4-003,1	446-00700-220	CLEANER ELEMENT	1		
4-004,1	424-00731-201	CLEANER CAP	1		
4-008,1	990-11040-101	SCREW 4X10	2		
4-009,1	426-00700-210	CLEANER HOLDER	1		
4-010,1	992-10040-012	S.WASHER 4	2		
4-011,1	992-01040-011	WASHER 4	2		
4-001	423-0602K-200	CLEANER BODY	1	-D041400	
4-001	423-0602K-210	CLEANER BODY	1	N D041401-	
4-003	446-0602K-200	CLEANER ELEMENT	1		
4-004	424-0602K-200	AIR CLEANER CAP	1	R -D041400	
4-004	424-0602K-201	AIR CLEANER CAP	1	D041401-	
4-005	528-0602K-200	CHOKE PLATE,W/1.5MM HOLE	1		
4-006	470-0602K-200	COLLAR	2		
4-007	453-0602K-200	SPACER	2	M	
4-007	453-0602K-200	SPACER	1		

FIG.5 CARBURETOR



REF. NBR	PART NBR	PART NAME	QTY	SERIAL NBR	REMARKS
5-000,1	455-25006-900	CARBURETOR ASS'Y, WA-110	1	-C152400	
5-000	455-25100-900	CARBURETOR ASS'Y, WY-5B	1	-D166255	
5-000	455-25100-900	CARBURETOR ASS'Y, WY-5B	1	R	-D166255
5-000	455-25100-910	CARBURETOR ASS'Y, WY-5A	1	M	
5-000	455-25100-920	CARBURETOR ASS'Y, WY-5B	1		D166256-
5-001,1	575-25006-200	PUMP BODY	1		
5-002,1	577-25006-200	PUMP GASKET	1		
5-003,1	576-25006-200	PUMP DIAPHRAGM	1		
5-004,1	475-25001-200	DIAPHRAGM GASKET	1		
5-005,1	474-25001-800	METERING DIAPHRAGM COMP.	1		
5-006,1	476-25004-200	DIAPHRAGM COVER	1		
5-007,1	464-25006-800	THROTTLE SHAFT COMP.	1		
5-008,1	486-25006-200	THROTTLE SPRING	1		
5-009,1	488-25006-200	THROTTLE VALVE	1		
5-010,1	557-25006-200	THROTTLE SHAFT CLIP	1		
5-011,1	460-25006-200	HIGH ADJUST SCREW	1		
5-012,1	485-25003-200	HIGH ADJUST SPRING	1		
5-013,1	461-25006-200	LOW ADJUST SCREW	1		
5-014,1	623-25001-200	HIGH/LOW ADJUST SPRING	1		
5-015,1	462-25006-200	IDLE ADJUST SCREW	1		
5-016,1	463-25006-200	IDLE ADJUST SPRING	1		
5-017,1	477-25003-200	VALVE SPRING	1		
5-018,1	603-25001-200	NEEDLE VALVE	1		
5-019,1	473-25001-200	VALVE HINGE	1		
5-020,1	605-25001-200	HINGE PIN	1		
5-021,1	578-25006-200	INLET SCREEN	1		
5-027,1	539-25008-200	SWIVEL	1		
5-028,1	489-25006-200	STOP RING	1		
5-029,1	548-25001-200	SET SCREW	4		
5-030,1	514-25001-200	SET SCREW	1		
5-031,1	546-25001-200	HINGE PIN SET SCREW	1		
5-032,1	467-25003-200	SHUTTER SCREW	1		
5-033,1	548-25001-200	SET SCREW	1		
5-001	539-25100-200	SWIVEL	1	M	
5-001	539-25101-200	SWIVEL	1		
5-002	489-25100-200	STOP RING	1		
5-003	544-25100-200	ADJUSTER STAY	1		
5-004	514-25100-200	THROTTLE SET SCREW	2		
5-005	614-25100-200	CABLE ADJUSTER	1		
5-006	613-25100-200	CABLE ADJUST NUT	1		
5-007	462-25100-200	IDLE ADJUST SCREW	1		-D166255
5-007	462-25100-201	IDLE ADJUST SCREW	1	P	D166256-
5-008	463-25100-200	IDLE ADJUST SPRING	1		
5-009	488-25100-800	THROTTLE VALVE COMP.	1		-D166255
5-009	488-25100-810	THROTTLE VALVE COMP.	1	M	D166256-
5-010	437-25100-200	SLEEVE	2		
5-011	550-25100-200	O-RING	1		
5-012	599-25100-200	MAIN JET	1	M	
5-012	599-25100-252	MAIN JET #50	1		-D166255
5-012	599-25100-460	MAIN JET #46	1	M	
5-012	599-25100-246	MAIN JET #46	1	M	
5-012	599-2000W-460	MAIN JET #46	1	N	D166256-
5-013	577-25100-200	PUMP GASKET	1		
5-014	576-25100-200	PUMP DIAPHRAGM	1		
5-015	523-25100-200	PUMP PLATE	1	R	-D166255
5-015	523-25100-201	PUMP PLATE	1		D166256-
5-016	522-25100-200	CIRCUIT PLATE	1		
5-017	578-25001-200	INLET SCREEN	1		
5-018	575-25100-800	PUMP BODY COMP.	1		-D166255
5-018	575-25100-810	PUMP BODY COMP.	1	N	D166256-
5-019	475-25001-200	DIAPHRAGM GASKET	1		
5-020	474-25001-800	METERING DIAPHRAGM COMP.	1		
5-021	476-25006-200	DIAPHRAGM COVER	1	M	
5-021	476-25004-200	DIAPHRAGM COVER	1		
5-022	548-25100-200	SET SCREW	4	M	
5-022	548-25101-200	SET SCREW	4		
5-023	594-25100-200	THRUST WASHER	1	M	
5-023	549-25100-200	THRUST WASHER	1	N	D166256-

FIG.6 DRIVE SHAFT & HANDLE

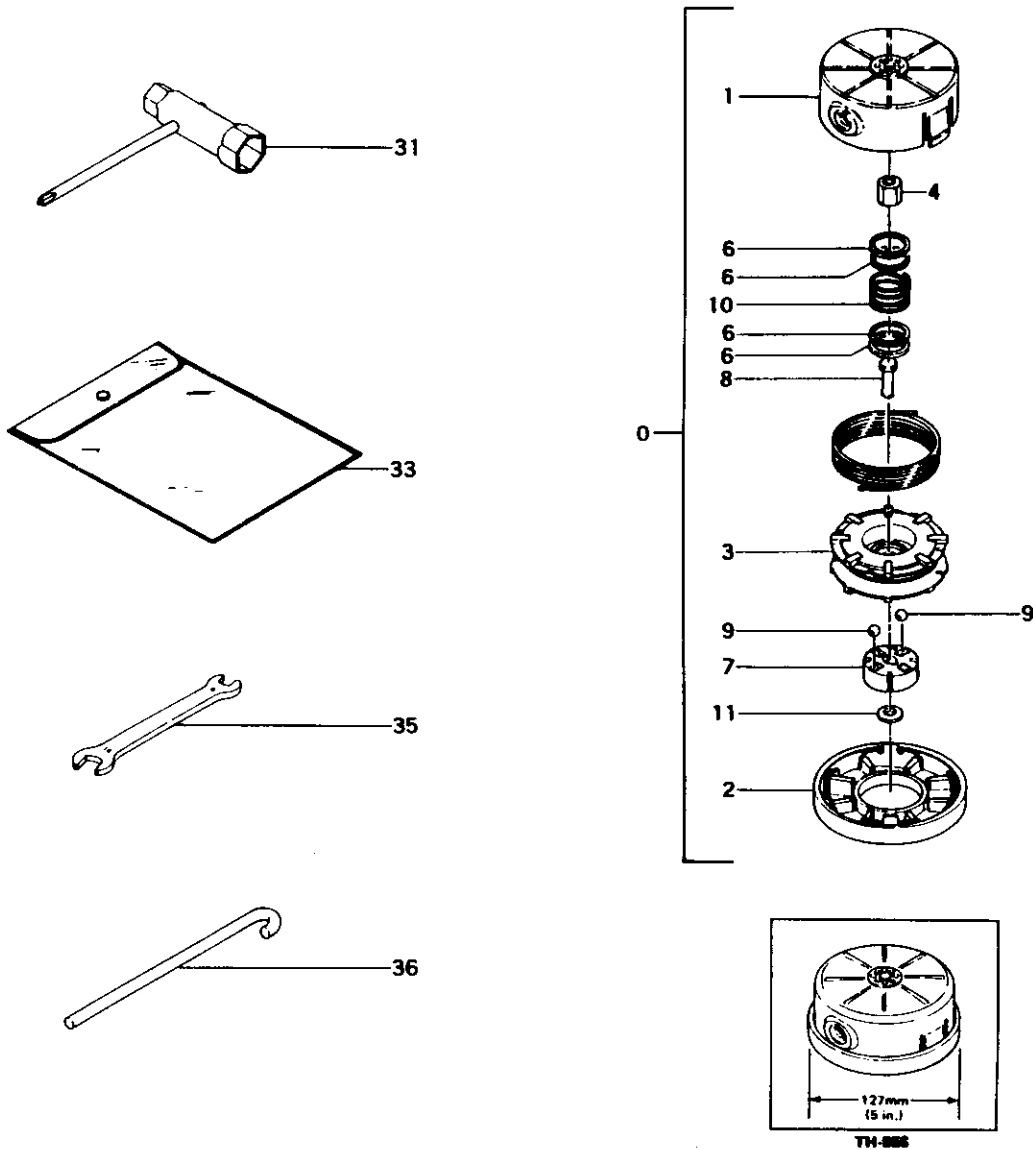


REF. NBR	PART NBR	PART NAME	QTY	SERIAL NBR	REMARKS
6-002	504-33700-201	SHAFT GRIP	1		
6-003,1	870-33701-900	THROTTLE LEVER ASS'Y	1	R -C152400	
6-003,1	870-33703-900	THROTTLE LEVER ASS'Y	1	-D150567	
6-003	870-33005-900	THROTTLE LEVER ASS'Y	1	N -E231000	
6-003	870-33005-901	THROTTLE LEVER ASS'Y	1	P E231001-	
6-004	170-33005-800	STOP BUTTON COMP.	1	-C152400	
6-004	170-00741-801	STOP BUTTON COMP.	1	M	
6-004	170-00741-800	STOP BUTTON COMP.	1	N -D150567	
6-004	170-00741-800	STOP BUTTON COMP.	1	D D150568-	
6-005	500-33700-201	HANDLE	1	-C174472	
6-005	500-33700-202	HANDLE	1	P -C210373	
6-005	500-33700-203	HANDLE	1	P C210374-	
6-006	992-01080-011	WASHER 8	1	D D150568-	
6-007	640-33210-202	STOP SWITCH BRACKET	1	-C152400	
6-007	640-33005-200	STOP BUTTON BRACKET	1	N -D150567	
6-007	640-33005-200	STOP BUTTON BRACKET	1	D D150568-	
6-008	115-33210-200	BRACKET	2	M	
6-008	115-33210-202	BRACKET	2	D D150568-	
6-009	990-11040-141	SCREW 4X14	1	R -C171272	
6-009	990-11040-161	SCREW 4X16	1	D D150568-	
6-010	991-01040-011	HEX. NUT 4	1	D D150568-	
6-012	990-21060-501	BOLT 6X50	1		
6-013	359-02103-200	CLUTCH WASHER B	1		
6-015,1	991-61060-011	WING NUT 6	1	R -C174472	
6-015	512-33700-800	HANDLE KNOB COMP.	1	C174473-	
6-016,1	341-33710-900	DRIVE SHAFT PIPE ASS'Y	1	-C152400	
6-016	341-33005-910	DRIVE SHAFT PIPE ASS'Y	1	N C152401-	
6-017,1	341-33710-200	DRIVE SHAFT PIPE	1	-C152400	
6-017	341-33005-810	DRIVE SHAFT PIPE COMP.	1	N C152401-	
6-018,1	350-33710-800	FLEXIBLE LINER COMP.	1	-C152400	
6-018	350-33005-800	FLEXIBLE LINER COMP.	1	N C152401-	
6-019,1	344-33710-200	FLEXIBLE SHAFT	1	-C152400	
6-019	344-33005-200	FLEXIBLE SHAFT	1	N -C174472	
6-019	344-33005-200	FLEXIBLE SHAFT	1	R -C174472	
6-019	344-33005-210	FLEXIBLE SHAFT	1	I -D217600	
6-019	344-33005-211	FLEXIBLE SHAFT	1	D217601-	
6-020,1	441-33700-220	SAFETY GUARD	1	-C152400	
6-020,2	441-33005-200	SAFETY GUARD	1	N -C221219	
6-020,2	441-33005-200	SAFETY GUARD	1	R -D150567	
6-020,2	441-33005-201	SAFETY GUARD	1	-D150567	
6-020	441-33006-800	SAFETY GUARD COMP.	1	N D150568-	
6-021,1	442-33700-211	SAFETY GUARD BRACKET ORANGE	1	-C152400	
6-021	442-33006-200	GUARD BRACKET	1	N C152401-	
6-021	442-33006-200	GUARD BRACKET	1	-D150567	
6-021	442-33006-200	GUARD BRACKET	2	D150568-	
6-022	992-10060-012	S. WASHER 6	2	N D150568-	
6-023	990-23060-151	BOLT 6X15 W/PLUS	2	N D150568-	
6-024	990-11050-081	SCREW 5X8	1	D C152401-	
6-025	990-21050-251	BOLT 5X25	1	D C152401-	
6-026	992-10050-012	S. WASHER 5	1	D C152401-	
6-027	990-11050-161	SCREW 5X16	4	D C152401-	
6-028	992-10050-012	S. WASHER 5	4	D C152401-	
6-029	992-01050-011	WASHER 5	4	D C152401-	
6-030	991-01050-011	HEX. NUT 5	4	D C152401-	
6-031	990-11050-141	SCREW 5X14	2	D C152401-	
6-032	992-10050-012	S. WASHER 5	2	D C152401-	
6-033	991-01050-011	HEX. NUT 5	2	D C152401-	
6-034	760-33005-200	SPECIAL WASHER	1		
6-035	370-33005-210	CUTTER CASE COVER	1		
6-036	990-23060-151	BOLT 6X15 W/PLUS	2	-D150567	
6-036	990-21060-701	BOLT 6X70	2	N D150568-	
6-036	990-21060-701	BOLT 6X70	2	D D150568-	
6-037	992-10060-012	S. WASHER 6	2	D D150568-	

- To be cont'd -

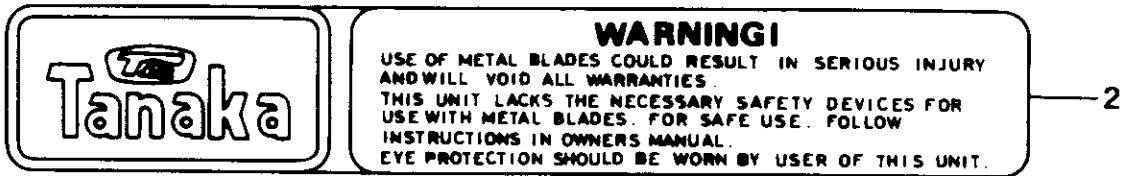
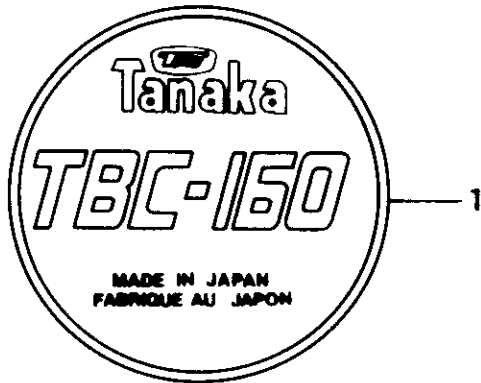
REF. NBR	PART NBR	PART NAME	QTY	SERIAL NBR	REMARKS
6-038	444-33005-200	BRACKET SPACER	1 D	D150568-	
6-039	300-33701-900	CUTTER CASE ASS'Y	1 D	C152401-	
6-040	300-33701-200	CUTTER CASE	1 D	C152401-	
6-041	999-61620-101	BALL BEARING #6201ZZ, 32MM/OD	2 D	C152401-	
6-042	993-51032-002	STOP RING C-32 IN	1 D	C152401-	
6-043	304-33700-200	CUTTER SHAFT	1 D	C152401-	
6-044	370-33700-200	CUTTER CASE COVER	1 D	C152401-	
6-045	178-33005-800	STOP CORD COMP.	1 N	D150568-	
6-046	880-33564-200	THROTTLE ARM	1 N	D150568-	
6-047	832-33564-200	RETURN SPRING	1 N	D150568-	
6-048	162-33564-200	STOP SWITCH	1	-E231000	
6-048	162-33564-210	STOP SWITCH	1 N	E231001-	
6-049	262-33564-200	STOP SWITCH SPRING	1 N	D150568-	
6-050	176-33564-200	EARTH TERMINAL	1 N	D150568-	
6-051	956-33564-200	LOCK BUTTON A	1 N	D150568-	
6-052	958-33564-200	LOCK BUTTON SPRING	1 N	D150568-	
6-053	957-33564-200	LOCK BUTTON B	1 N	D150568-	
6-054	990-11050-301	SCREW 5X30	2 N	D150568-	
6-055	994-31050-251	SCREW 5X25	1 N	D150568-	
6-056	991-86050-000	SELF-LOCK NUT 5	3 N	D150568-	
6-057	990-11040-161	SCREW 4X16	2 R	-C174472	
6-057	990-11040-121	SCREW 4X12	2	C174473-	
6-057	990-11040-121	SCREW 4X12	2 D	D150568-	
6-058	992-01040-011	WASHER 4	2 D	D150568-	
6-059	800-33005-200	CORD CUTTER BLADE	1 I	-C174472	
6-059	800-33005-201	CORD CUTTER BLADE	1	C174473-	
6-059	800-33005-201	CORD CUTTER BLADE	1 D	D150568-	
6-060	799-33005-200	BLADE GUIDE	1 N	C174473-	
6-060	799-33005-200	BLADE GUIDE	1 D	D150568-	
6-061	991-01040-011	HEX. NUT 4	2 D	C174473-	
6-062	992-10040-012	S.WASHER 4	2 D	C174473-	
6-064	371-33700-200	CUTTER SHAFT SPACER	1	-D150567	
6-064	371-33005-200	CUTTER SHAFT SPACER	1 N	D150568-	
6-064	371-33005-200	CUTTER SHAFT SPACER	1 D	E112092-	

FIG.7 TOOLS & NYLON HEAD



REF. NBR	PART NBR	PART NAME	QTY	SERIAL NBR	REMARKS
7-000	783-33004-900	NYLON HEAD ASS'Y (TH-95S)	1	R -E076246	
7-000	783-33004-901	NYLON HEAD ASS'Y (TH-95S)	1	E076247-	
7-001	786-33004-800	CUTTING BODY COMP.	1	R -E076246	
7-001	786-33004-801	CUTTING BODY COMP.	1	E076247-	
7-002	789-33004-201	BODY CAP	1		
7-003	787-33004-201	CORD REEL	1	R -E076246	
7-003	787-33004-202	CORD REEL	1	E076247-	
7-004	315-33004-200	DRIVE NUT L/H GOLD	1		
7-006	792-33004-200	REEL WASHER	4		
7-007	790-33004-200	REEL SLIDER	1		
7-008	791-33004-200	REEL SLIDER HOOK	1		
7-009	673-35600-200	STEEL BALL 5/16"	2		
7-010	793-33004-201	REEL SPRING (BLACK)	1		
7-011	358-02103-200	WASHER	1		
7-031	829-20000-800	COMBI. BOX SPANNER 13X19 .PLUS	1		
7-033	948-32352-200	TOOL BAG	1		
7-035	801-20000-200	SPANNER 8X10	1		
7-036	752-33005-200	LOCK HANDLE	1		

FIG.8 MARKS



REF. NBR	PART NBR	PART NAME	QTY	SERIAL NBR	REMARKS
8-001	906-33760-210	NAME PLATE	1		
8-002	929-33710-200	SYMBOL MARK	1		
8-003	923-33700-200	LEVEL MARK	1		