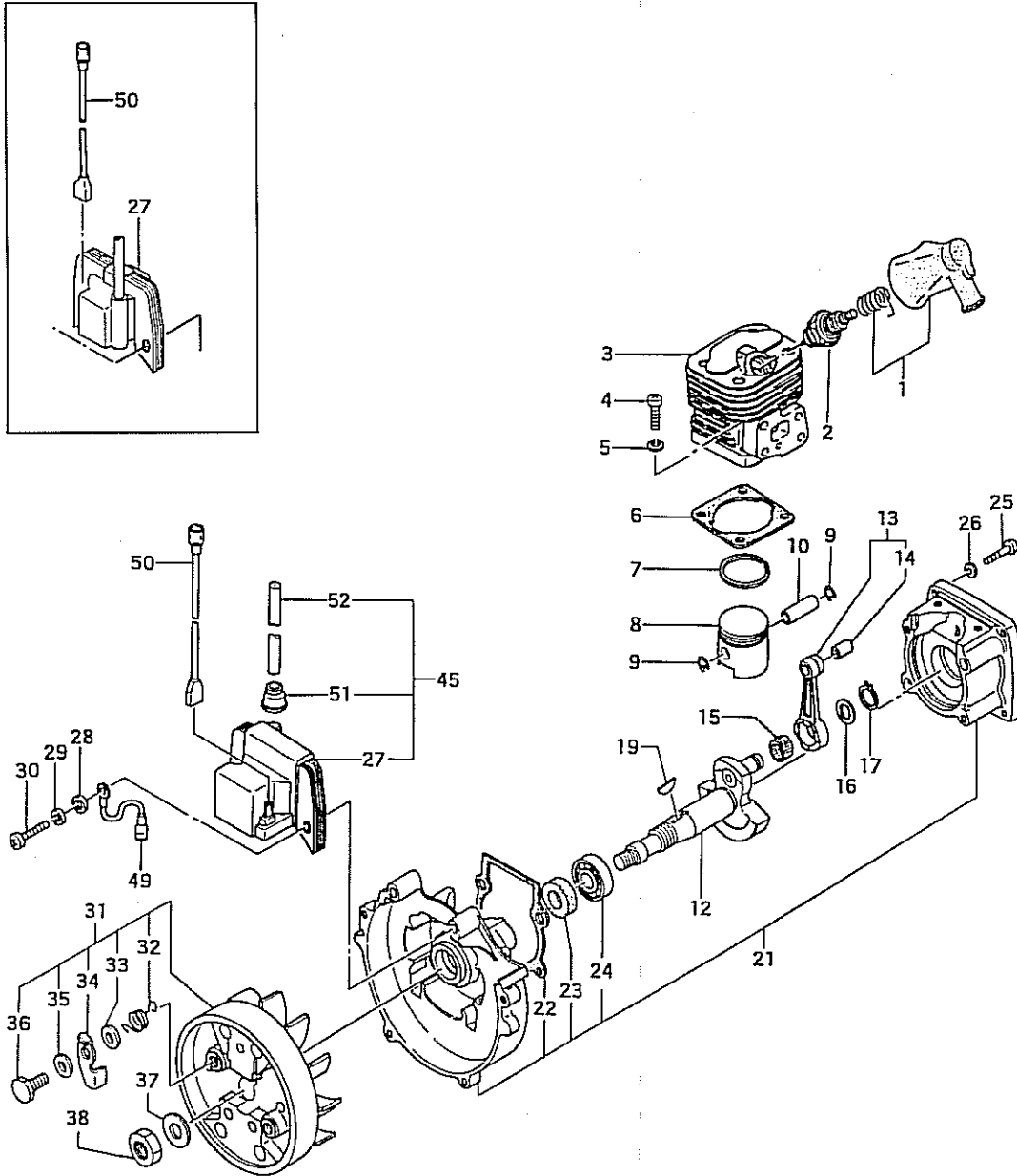
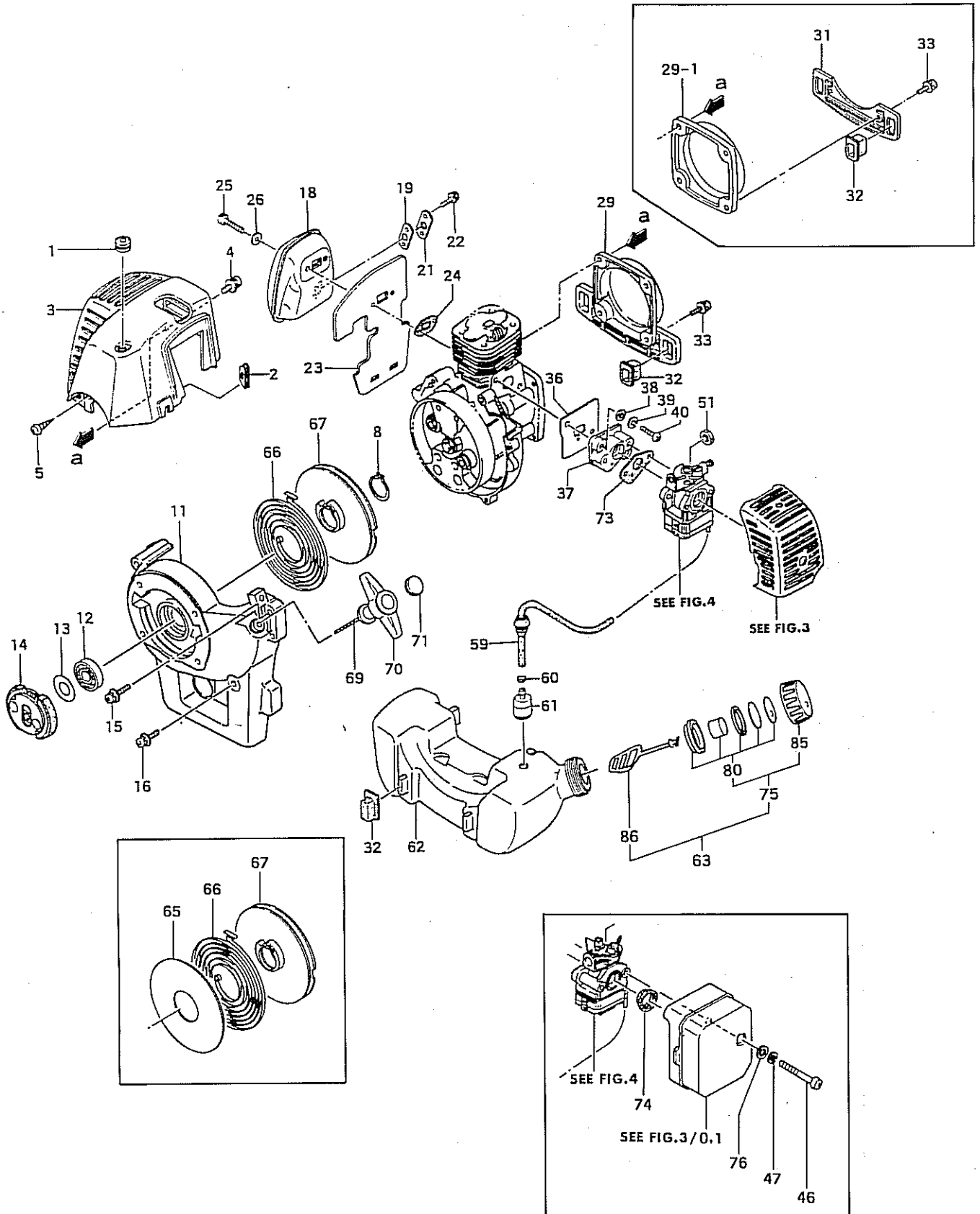


FIG.1 ENGINE



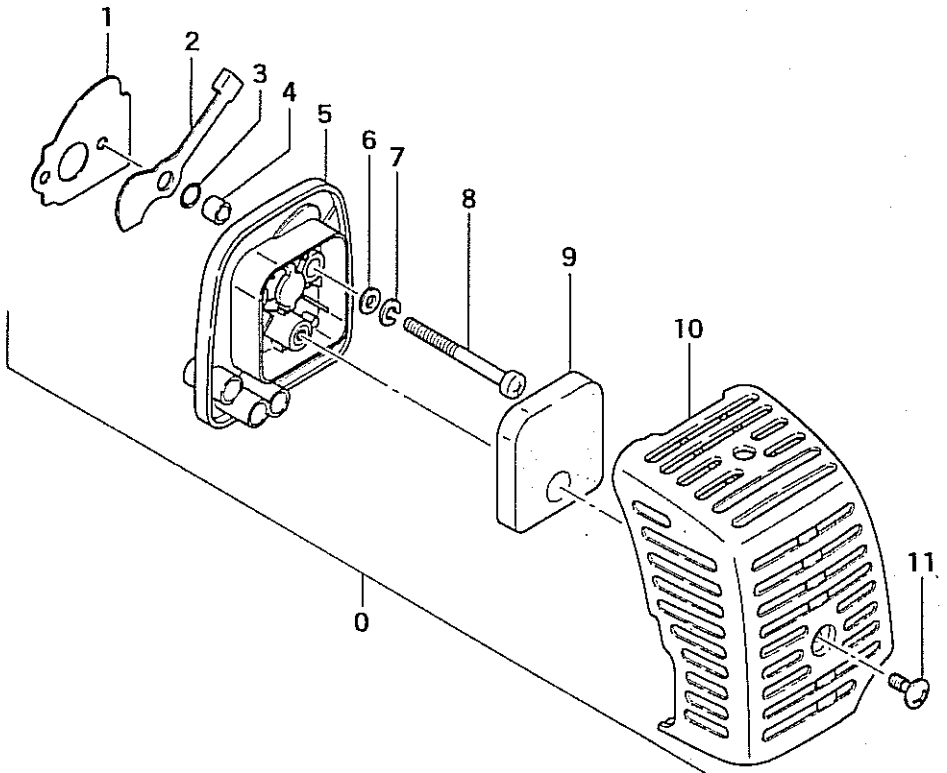
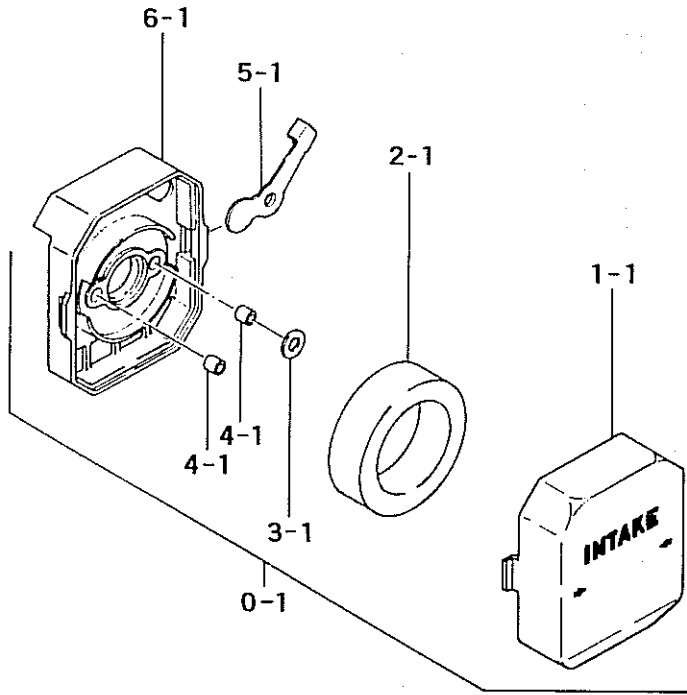
REF. NBR	PART NBR	QTY	SERIAL NBR	REMARKS
FIG.1 ENGINE				
1-001	157-0631A-90	1	-L162683	
1-001	157-0097A-90	1	P L162684-	
1-002	018-11660-20	1	-L162683	
1-002	018-11660-21	1	P L162684-	
1-003	002-0634F-21	1		
1-004	990-11050-181	4		
1-005	992-10050-012	4		
1-006	017-0631A-20	1		
1-007	041-00000-21	1		
1-008	031-0634F-80	1	I -J014350	
1-008	031-0634F-20	1	J014351-	
1-009	039-06100-20	2		
1-010	037-06097-20	1		
1-012	059-0634F-21	1	-L105993	
1-012	046-0634F-81	1	P -L169633	
1-012	046-0634F-82	1	P L169634-	
1-013	061-0634F-80	1		
1-014	999-62071-127	1		
1-015	999-62101-432	1		
1-016	801-10205-20	1		
1-017	993-50010-002	1		
1-019	068-10100-20	1		
1-021	072-0635A-91	1	-L291500	
1-021	072-0635A-92	1	N L291501-	
1-022	090-06097-20	1		
1-023	999-66152-500	1		
1-024	999-61600-200	1		
1-025	990-11050-251	4		
1-026	992-10050-012	4		
1-027	167-20508-80	1	I -J147780	
1-027	167-20516-80	1	J147781-	
1-028	992-00050-011	2		
1-029	992-10050-012	2		
1-030	990-11050-201	2		
1-031	155-20515-90	1		
1-031	155-20514-90	1		
1-032	790-0633H-21	2		
1-033	786-00601-20	2		
1-034	788-0633H-21	2		
1-035	822-00601-20	2		
1-036	793-10200-20	2	-J133530	
1-036	793-0636T-20	2	P J133531-	
1-037	992-00120-011	1		
1-038	991-11120-011	1		
1-045	167-20516-90	1	N J147781-	
1-049	274-0097A-80	1		
1-050	178-0631A-80	1		
1-051	560-20517-20	1	N J147781-	
1-052	264-20516-20	1		

FIG.2 ENGINE COMPONENTS



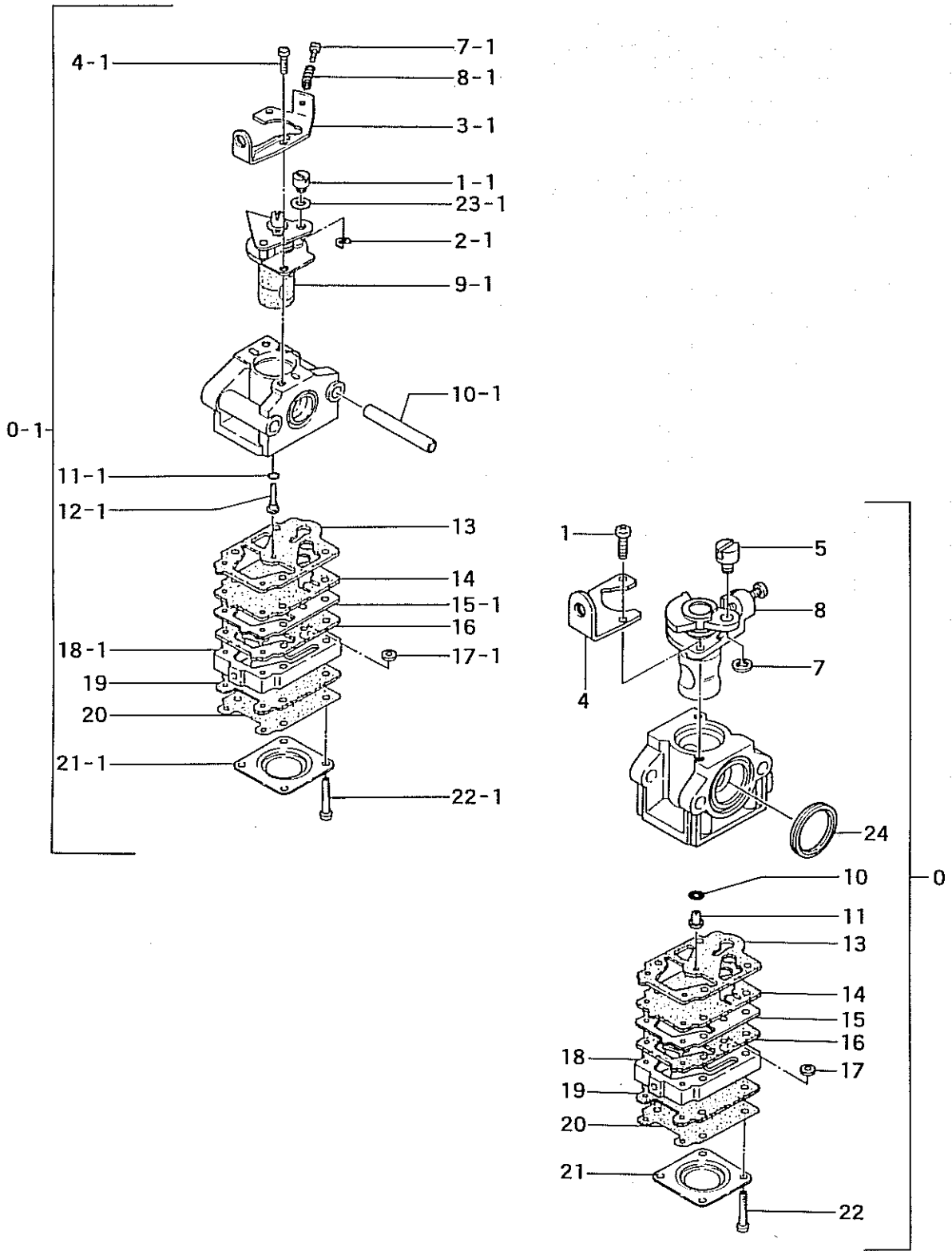
REF. NBR	PART NBR	QTY	SERIAL NBR	REMARKS
FIG.2 ENGINE COMPONENTS				
2-001	202-01003-20	1		
2-002	203-0631A-20	1		
2-003	738-0631A-20	1		
2-004	994-15040-222	2		
2-005	990-72045-164	2		
2-008	993-50017-002	1		
2-011	112-0635A-80	1		
2-011	112-0635A-84	1		
2-012	999-61600-001	1		
2-013	173-35500-20	1		
2-013	174-35500-20	1		
2-013	175-35500-20	1		
2-014	277-0631Q-90	1		
2-015	994-16050-202	1		
2-016	994-16050-402	3	I	-J035360
2-016	994-16050-422	3		J035361-
2-018	706-0631A-80	1		
2-019	751-04200-20	1		
2-021	734-0631A-20	1		
2-022	994-14040-081	2		
2-023	133-0631A-20	1		
2-024	737-06100-21	1		
2-025	990-51050-503	2		
2-026	992-01050-011	2		
2-029, 1	218-0634F-20	1		-K005750
2-029	218-0635A-20	1	H	K005751-
2-031	653-0631A-20	1	D	K005751-
2-032	655-00940-20	4		
2-033	994-15040-222	2		
2-036	403-0631A-20	1		
2-036	403-0631A-20	1		
2-036	403-0631A-20	1		
2-037	404-0631A-80	1		
2-038	992-00050-011	2		
2-039	992-10050-012	2		
2-040	990-11050-221	2		
2-046	990-11050-551	2	D	J133531-
2-047	992-10050-012	2	D	J133531-
2-051	991-01060-013	1		
2-059	223-0162V-90	1		
2-060	680-00731-20	1		
2-061	675-11600-90	1		
2-061	675-04042-80	1		
2-062	591-0635A-20	1		
2-063	595-0165C-90	1		-L263600
2-063	595-0165C-91	1	P	L263601-
2-065	827-0635A-20	1	D	L226430-
2-066	779-0635A-20	1		-L226430
2-066	779-0635A-21	1	P	L226431-
2-067	774-0635A-20	1	H	
2-067	774-0635A-21	1		
2-069	783-01800-20	1		-L226430
2-069	783-0638A-20	1	N	L226431-
2-070	785-10207-20	1		
2-071	833-10207-20	1		
2-073	402-0602K-20	1		
2-074	431-0602K-20	1	D	J048791-
2-075	595-0062A-90	1		-L263600
2-075	595-0062A-92	1	P	L263601-
2-076	992-00050-011	2	D	J133530-
2-080	629-0062A-90	1		
2-085	628-0062A-21	1	H	L263601-
2-086	626-32550-20	1		

FIG.3 AIR CLEANER



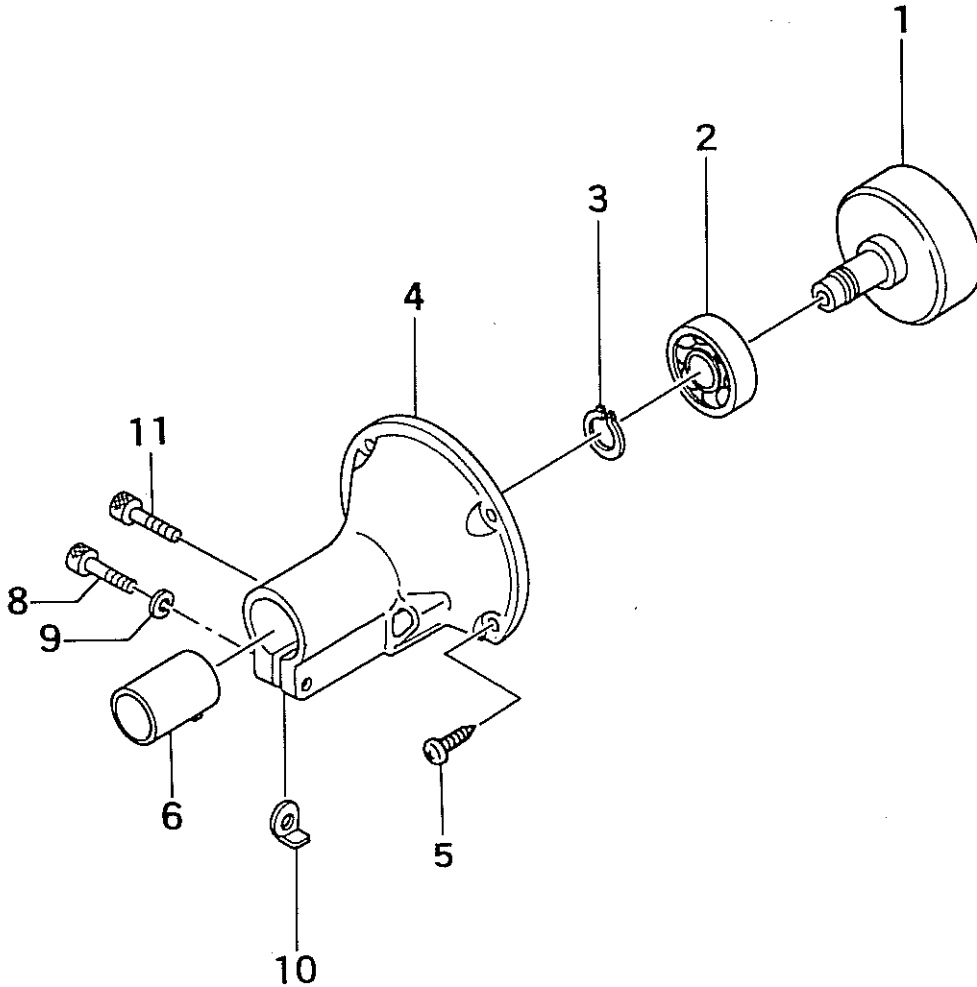
REF. NBR	PART NBR	QTY	SERIAL NBR	REMARKS
FIG.3 AIR CLEANER				
3-000,1	410-0602K-90	1	B -J035360	
3-000,1	410-0635A-90	1	-J133530	
3-000	410-0635E-90	1	H J133531-	
3-001,1	424-0602K-20	1		
3-002,1	446-0602K-20	1		
3-003,1	453-0602K-20	1		
3-004,1	470-0602K-20	2		
3-005,1	528-0602K-20	1	B -J035360	
3-005,1	528-0635A-20	1	-J133530	
3-006,1	423-0602K-21	1		
3-001	436-0162V-20	1		
3-002	528-0635E-20	1		
3-003	999-67008-012	1		
3-004	470-0602K-20	1		
3-005	423-0635E-80	1		
3-006	992-00050-011	2		
3-007	992-10050-012	2		
3-008	990-11050-551	2	-L079720	
3-008	990-11050-571	2	P L079721-	
3-009	446-0635E-20	1		
3-010	452-0635E-20	1		
3-011	380-0631A-20	1		

FIG.4 CARBURETOR



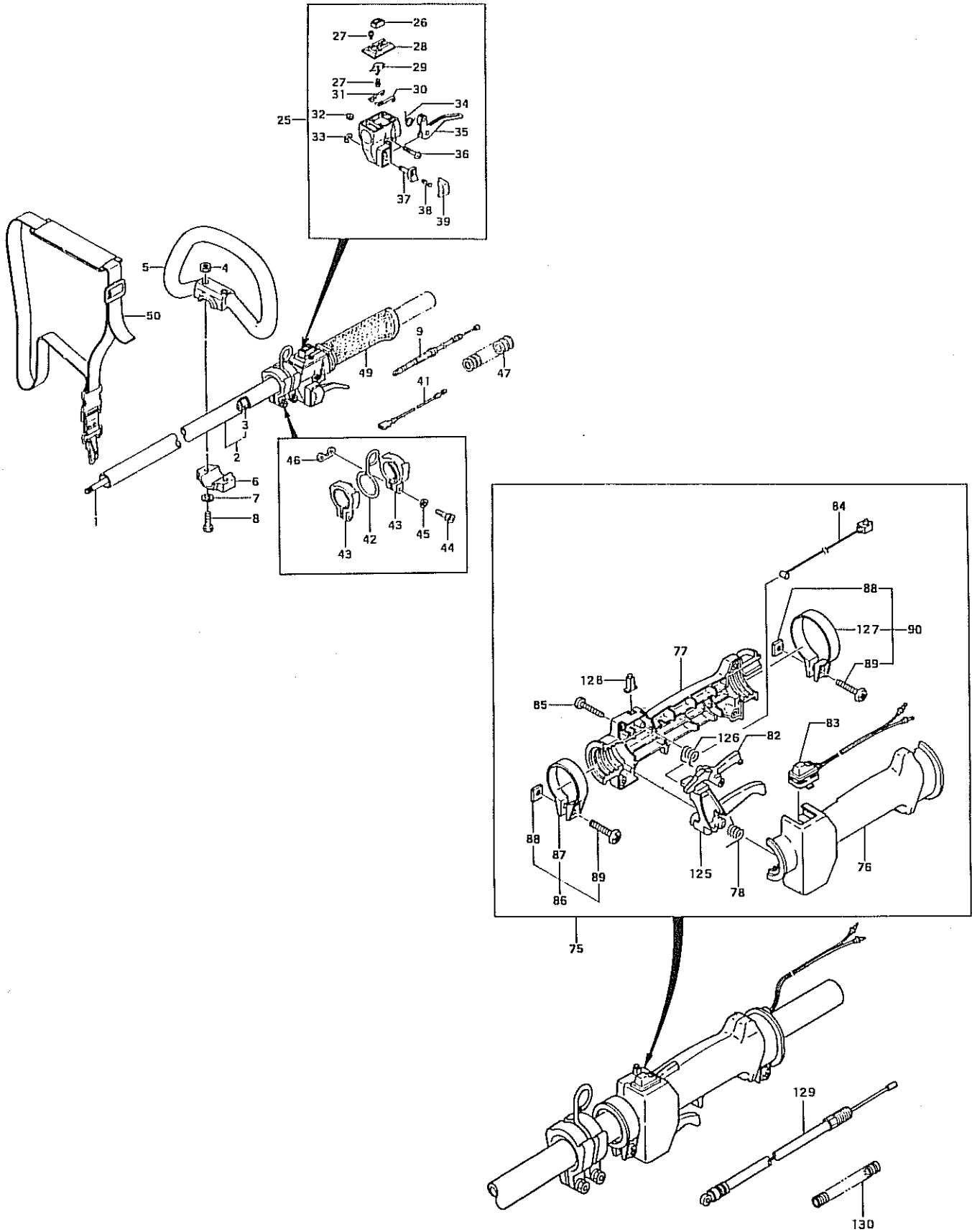
REF. NBR	PART NBR	QTY	SERIAL NBR	REMARKS
FIG.4 CARBURETOR				
4-000,1	455-25119-90	1	I -J048790	
4-000,1	455-25135-90	1	R -J133530	
4-000	455-25139-90	1	J133531-	
4-001,1	539-25101-20	1		
4-002,1	489-25100-20	1		
4-003,1	544-25100-20	1		
4-004,1	514-25100-20	2		
4-007,1	462-25100-20	1		
4-008,1	463-25100-20	1		
4-009,1	488-25100-81	1		
4-010,1	437-25100-20	2		
4-011,1	550-25100-20	1		
4-012,1	599-25100-44	1		
4-013	577-25100-20	1		
4-014	576-25100-20	1		
4-015,1	523-25100-20	1		
4-016	522-25100-20	1		
4-017,1	578-25006-20	1		
4-018,1	575-25119-80	1		
4-019	475-25001-20	1		
4-020	474-25001-80	1		
4-021,1	476-25006-20	1		
4-022,1	548-25100-20	4		
4-023,1	549-25100-20	1		
4-001	514-25100-20	2		
4-004	544-25120-20	1		
4-005	539-25120-20	1		
4-007	489-25100-20	1		
4-008	488-25129-80	1		
4-010	550-25100-20	1		
4-011	599-2000W-44	1	-J133530	
4-011	599-2000W-43	1	N J133531-	
4-013	577-25100-20	1		
4-014	576-25100-20	1		
4-015	523-25100-20	1		
4-016	522-25100-20	1		
4-017	578-25007-20	1		
4-018	575-25135-80	1		
4-019	475-25001-20	1		
4-020	474-25001-80	1		
4-021	476-25004-20	1		
4-022	548-25101-20	4		
4-024	431-0634C-20	1		

FIG.5 CLUTCH CASE



REF. NBR	PART NBR	QTY	SERIAL NBR	REMARKS
FIG.5 CLUTCH CASE				
5-001	289-06310-80	1	-L226930	
5-001	289-06460-80	1	L226931-	
5-002	999-61620-101	1		
5-003	993-50012-002	1		
5-004	331-0636J-20	1	-L162483	
5-004	331-0636J-21	1	L162484-	
5-005	994-14050-162	4	-L226930	
5-005	990-73050-184	4	L226931-	
5-006	599-0636J-20	1		
5-008	990-51050-253	1		
5-009	992-10050-062	1		
5-010	249-0630G-20	1		
5-011	990-51050-153	1		

FIG.6 HANDLE (A)



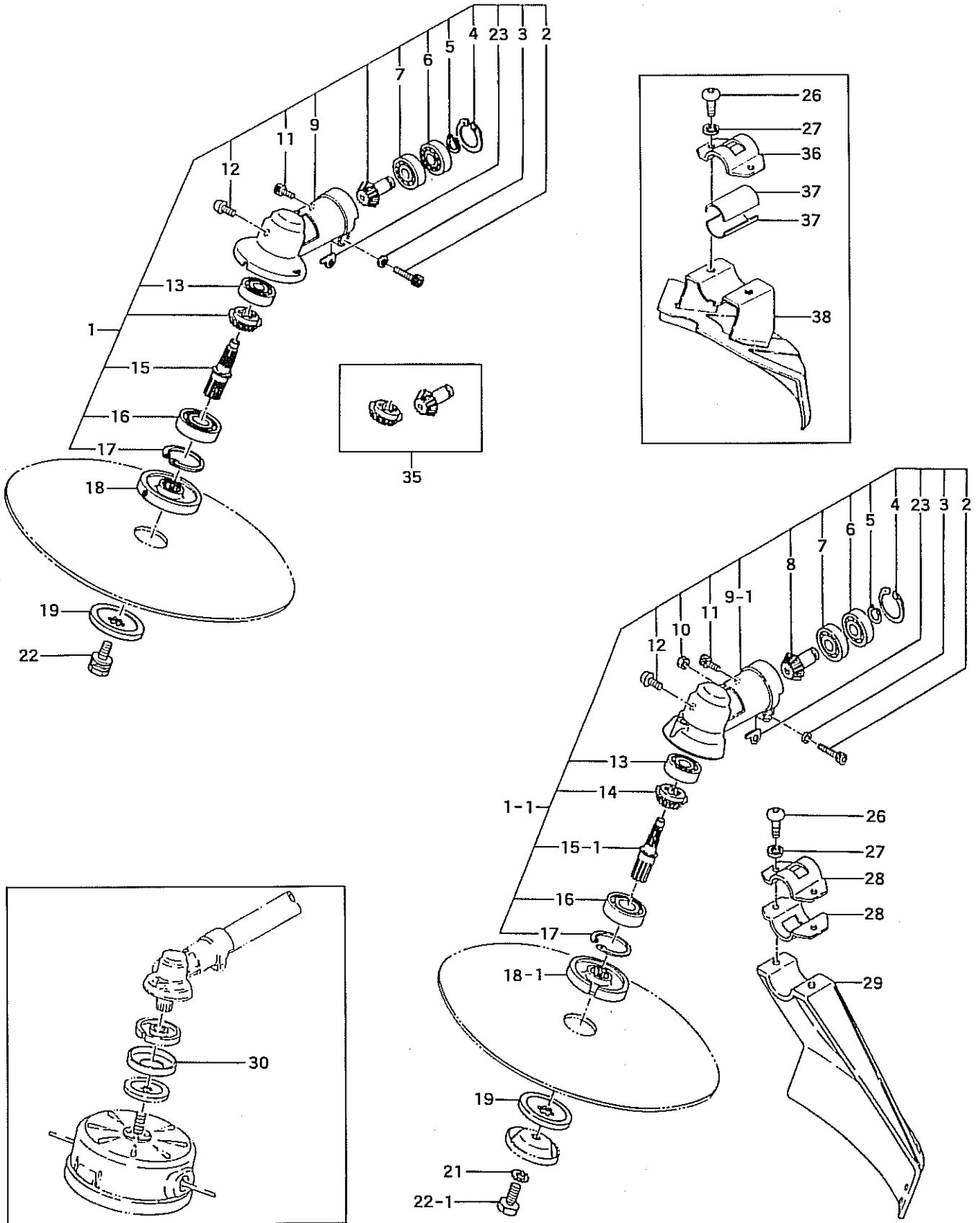
REF. NBR	PART NBR	QTY	SERIAL NBR	REMARKS
FIG.6 HANDLE (A,B)				
6-001	343-37617-20	1		-L226930
6-001	343-37618-20	1	N	L226931-
6-002	341-37601-80	1		-J133530
6-002	341-37623-80	1	R	-J199106
6-002	341-37601-80	1	I	-K217850
6-002	341-37300-80	1		K217851-
6-003	347-37601-90	5		-K217850
6-003	347-37300-90	5	N	K217851-
6-004	991-01060-041	2		
6-005	500-37300-20	1		
6-006	506-37300-20	1		
6-007	992-01060-061	2	I	-K112962
6-007	992-01060-011	2		K112963-
6-008	990-53060-403	2		-K112962
6-008	990-23060-351	2	M	
6-008	990-23060-431	2		K112963-
6-009	885-0631A-80	1		
6-025	870-37300-90	1		
6-026	162-37101-20	1		
6-027	993-42030-081	3		
6-028	259-37101-20	1		
6-029	262-37101-20	1		
6-030	177-37101-20	1		
6-031	176-37101-20	1		
6-032	991-86050-000	1		
6-033	993-55060-001	1		
6-034	832-37101-20	1		
6-035	880-37101-20	1		
6-036	994-31050-251	1		
6-037	853-37101-20	1		
6-038	958-37101-20	1		
6-039	956-37101-20	1		
6-041	178-37300-80	2		
6-042	335-37307-20	1		
6-043	334-37304-21	2		
6-044	990-51050-303	2		
6-045	992-01050-061	2		
6-046	315-37304-20	1		
6-047	164-13014-01	1		
6-049	504-37300-20	1		
6-050	746-37655-90	1		-J236800
6-050	746-33407-90	1	N	J236801-
6-060	501-33674-20	1		-J147780
6-060	501-37415-20	1	R	-J198606
6-060	501-33674-20	1		J198607-
6-061	502-33674-20	1		-J147780
6-061	502-37415-20	1	R	-J198606
6-061	502-33674-20	1		J198607-
6-062	503-37113-20	1		
6-063	165-33130-20	1		
6-064	990-51050-253	4		
6-065	992-10050-062	4		
6-066	506-37304-21	1		-J147780
6-066	506-37623-20	1	R	-J198606
6-066	506-37304-21	1		J198607-
6-067	507-37304-20	1		-J147780
6-067	507-37623-20	1	R	-J198606
6-067	507-37304-20	1		J198607-
6-068	510-37304-20	1		
6-069	508-37304-21	1		-J147780

- To be cont'd -

TBC-2000/SDH 978-47420-811

REF. NBR	PART NBR	QTY	SERIAL NBR	REMARKS
6-069	508-37623-20	1	R -J198606	
6-069	508-37304-21	1	J198607-	
6-070	992-10060-062	2		
6-071	990-53060-253	2		
6-072	336-33411-81	1		
6-073	178-33317-80	2		
6-074	460-33111-90	1		
6-075	870-37411-90	1		
6-076	875-37411-20	1		
6-077	884-37411-20	1		
6-078	832-37411-20	1		
6-079	885-37313-80	1		
6-080	499-37100-20	1		
6-081	164-13070-01	1	R -J147780	
6-081	164-13041-01	1	J147781-	
6-082	253-37411-20	1		
6-083	156-37411-80	1		
6-084	895-37411-20	1		
6-085	993-42040-182	4		
6-086	883-37411-90	1		
6-087	883-37411-20	1		
6-088	991-91060-061	2		
6-089	994-31060-203	2		
6-090	889-37411-90	1		
6-091, 1	746-33564-90	1	-J147780	
6-091	746-37415-90	1	B -K113262	
6-091	746-37455-90	1	K113263-	
6-092	748-33564-90	1	-J147780	
6-113	870-37101-90	1		
6-125	880-37411-20	1		
6-126	958-37411-20	1		
6-127	889-37411-20	1		
6-128	956-37411-20	1		
6-129	885-00980-80	1		
6-130	164-10020-01	1		

FIG.7 GEAR CASE



REF. NBR	PART NBR	QTY	SERIAL NBR	REMARKS
FIG.7 GEAR CASE				
7-001,1	300-37300-90	1	R	-J133530
7-001	300-37307-90	1		-J198605
7-001	300-37623-90	1	R	-J198606
7-001	300-37307-90	1		-L163883
7-001	300-37307-91	1	P	L163884-
7-002	990-51050-253	1		
7-003	992-10050-062	1		
7-004	993-53022-002	1		
7-005	993-50010-002	1		
7-006	999-61690-003	1	I	-J199106
7-006	999-61690-001	1		J199107-
7-007	999-61690-000	1		
7-008	302-37300-20	1	D	L163884-
7-009,1	300-37300-20	1		-J133530
7-009	300-37307-20	1	H	-J198605
7-009	300-37623-20	1	R	-J198606
7-009	300-37307-20	1		J198607-
7-010	991-01050-041	1	D	J133531-
7-011	990-51050-103	1		
7-012	990-14080-104	1		
7-013	999-61626-000	1		
7-014	301-37300-20	1	D	L163884-
7-015	304-37300-20	1		-J133530
7-015	304-37307-20	1	H	J133531-
7-016	999-61600-104	1		
7-017	993-51028-002	1		
7-018,1	310-37300-21	1		-J133530
7-018	310-37623-20	1	H	J133531-
7-019	311-37300-20	1		
7-021	992-29080-000	1	D	-J048790
7-022,1	312-37300-20	1	B	-J048790
7-022	312-37623-20	1		J048791-
7-023	324-37300-20	1		-J133530
7-023	324-37350-20	1	P	J133531-
7-026	990-53060-153	2		
7-027	992-10060-062	2		
7-028	442-33905-20	2		
7-029	441-33905-80	1		
7-030	307-37307-20	1		
7-035	301-37300-01	1	H	L163884-
7-036	442-33671-20	1		
7-037	444-37609-20	2		
7-038	441-37003-80	1		