

***Tanaka***



**Parts Catalog**

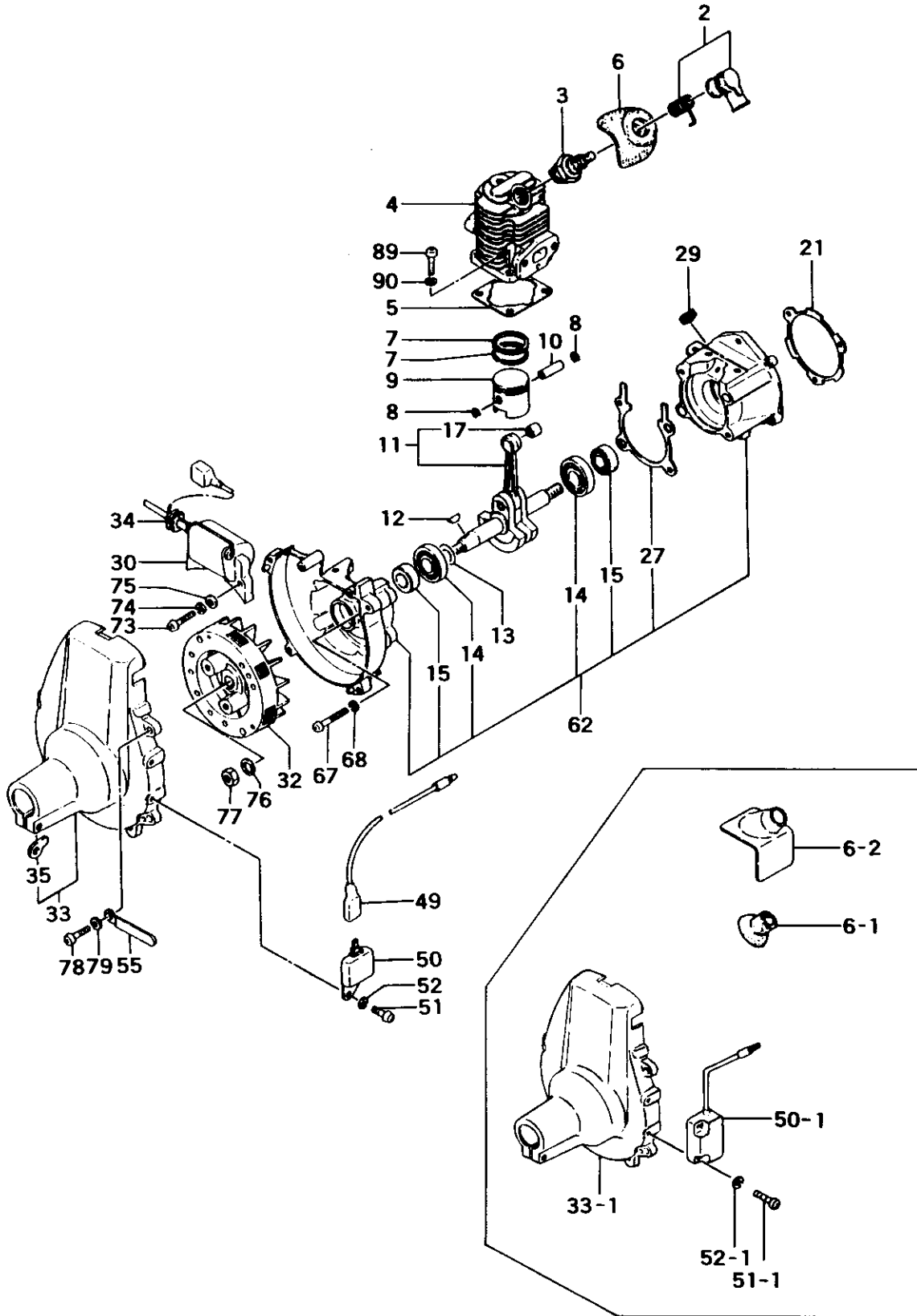


**Trimmer/Brushcutter**

**Model: TBC-215**

**Units Prior To Serial No. F014100**

**FIG. 1 ENGINE**



REF. NBR	PART NBR	PART NAME	QTY		SERIAL NBR	REMARKS
1-002	157-04000-900	SPARK PLUG CAP ASS'Y	1	R	-E173579	
1-002	157-04200-900	SPARK PLUG CAP ASS'Y	1		E173580-	
1-003	018-00502-200	SPARK PLUG BMGA	1			
1-004	002-06091-801	CYLINDER COMP.	1	M		
1-004	002-06092-800	CYLINDER COMP.	1	I	-C021652	
1-004	002-06092-801	CYLINDER COMP.	1	R	-D082525	
1-004	002-06092-802	CYLINDER COMP.	1	R	-D082525	
1-004	002-06092-803	CYLINDER COMP.	1		D082526-	
1-005	017-06091-200	CYLINDER GASKET	1	I	-E165450	
1-005	017-06091-201	CYLINDER GASKET	1		E165451-	
1-006, 1	255-0062A-200	SPARK PLUG RUBBER COVER	1	R	-C213509	
1-006, 2	255-0608A-200	SPARK PLUG RUBBER COVER	1	R	-E165450	
1-006	255-0630G-210	SPARK PLUG RUBBER COVER	1		E165451-	
1-007	041-00000-200	PISTON RING	2			
1-008	039-06100-200	CIR CLIP	2			
1-009	031-06091-200	PISTON COMP.	1	R	-B241787	
1-009	031-06091-201	PISTON COMP.	1		-C097928	
1-009	031-06097-200	PISTON	1	N	-D082525	
1-009	031-06097-200	PISTON	1	I	-D082525	
1-009	031-06097-201	PISTON	1		D082526-	
1-010	037-06100-200	PISTON PIN	1		-C097928	
1-010	037-06097-200	PISTON PIN	1	N	C097929-	
1-011	046-06091-800	CRANK SHAFT COMP.	1			
1-012	068-10100-200	WOOD-RUFF KEY 3X13X4.5	1			
1-013	330-00200-210	GEAR SHAFT SHIM 0.10		V		
1-013	330-00200-220	GEAR SHAFT SHIM 0.15		V		
1-013	330-00200-230	GEAR SHAFT SHIM 0.20		V		
1-013	330-00200-240	GEAR SHAFT SHIM 0.30		V		
1-014	999-61600-100	BALL BEARING #6001, 28MM/OD	2			
1-015	999-66122-266	OIL SEAL 12227	2			
1-017	999-62071-127	NEEDLE BEARING F-79	1			
1-021	810-06091-200	RECOIL STARTER GASKET	1	N	B133614-	
1-027	090-06000-201	CRANK CASE GASKET	1	R	-C156400	
1-027	090-06000-202	CRANK CASE GASKET	1		C156401-	
1-029	203-06000-200	PRIMARY CORD GROMMET	1	N	C021635-	
1-030	167-20757-800	IGNITION COIL COMP.	1	R	-C156400	
1-030	167-20757-801	IGNITION COIL COMP.	1		C156401-	
1-032	155-20702-800	MAGNETO ROTOR COMP.	1	M		
1-032	155-21702-800	MAGNETO ROTOR COMP.	1			
1-033, 1	112-0608A-201	FAN CASE	1	I	-C213509	
1-033, 1	112-0608A-202	FAN CASE	1		-D192800	
1-033	112-0608A-210	FAN CASE	1	N	-D286226	
1-033	112-0608A-800	FAN CASE SET	1	P	D286227-	
1-034	203-0604A-202	GROMMET	1			
1-035	324-33900-200	GEAR CASE WASHER	1	N	D286227-	
1-049	173-01620-800	IGNITOR LEAD WIRE COMP., R110M	1	N	D206801-	
1-050, 1	159-21401-871	IGNITOR COMP. TTI-1E	1		-D206800	
1-050	159-21401-872	IGNITOR COMP. TTI-1F	1	N	D206801-	
1-051, 1	990-11040-161	SCREW 4X16	2		-D206800	
1-051	990-11040-081	SCREW 4X8	1	N	D206801-	
1-052, 1	992-10040-012	S. WASHER 4	2		-D206800	
1-052	992-10040-012	S. WASHER 4	1		D206801-	
1-055	198-01046-200	CORD CLAMP	1			
1-062	075-06092-800	CRANK CASE ASS'Y	1	M		
1-062	072-06092-900	CRANK CASE ASS'Y	1			
1-067	990-11050-301	SCREW 5X30	4			
1-068	992-10050-012	S. WASHER 5	4			
1-073	990-11040-181	SCREW 4X18	2			
1-074	992-10040-012	S. WASHER 4	2			
1-075	992-00040-011	SMALL WASHER 4	2			
1-076	065-00000-200	FLYWHEEL WASHER	1			
1-077	327-00201-200	NUT 7 (L. H. THREAD)	1			
1-078	990-11050-161	SCREW 5X16	4			
1-079	992-10050-012	S. WASHER 5	4			
1-089	990-11050-181	SCREW 5X18	4			
1-090	992-10050-012	S. WASHER 5	4			

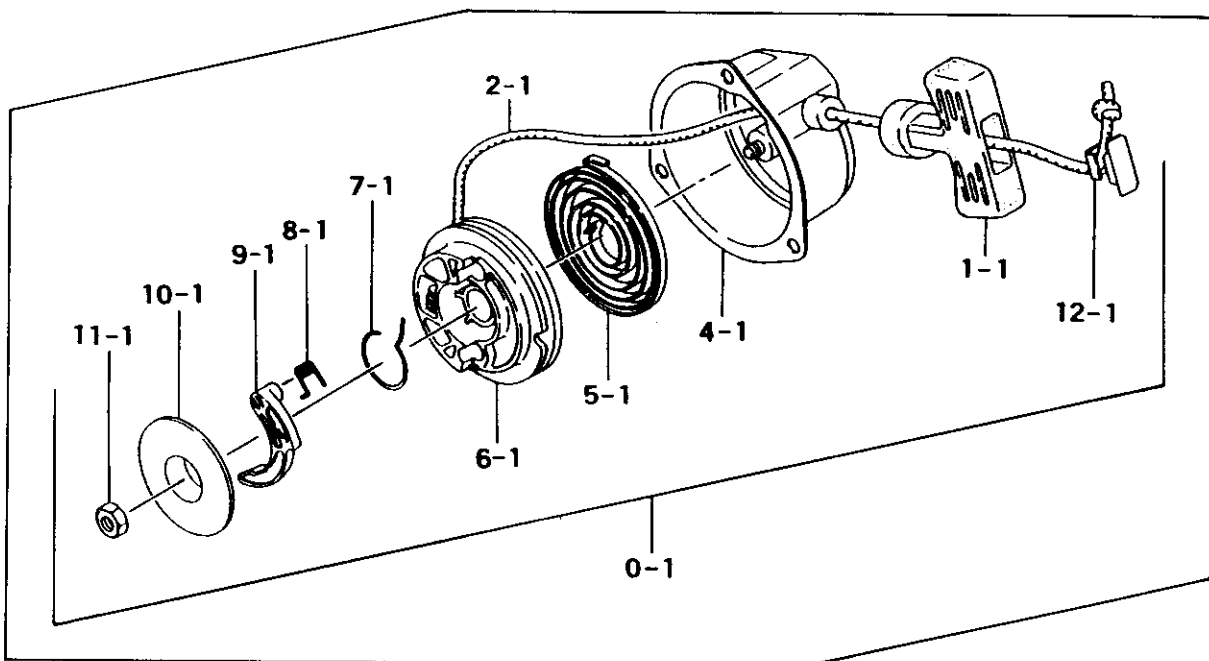
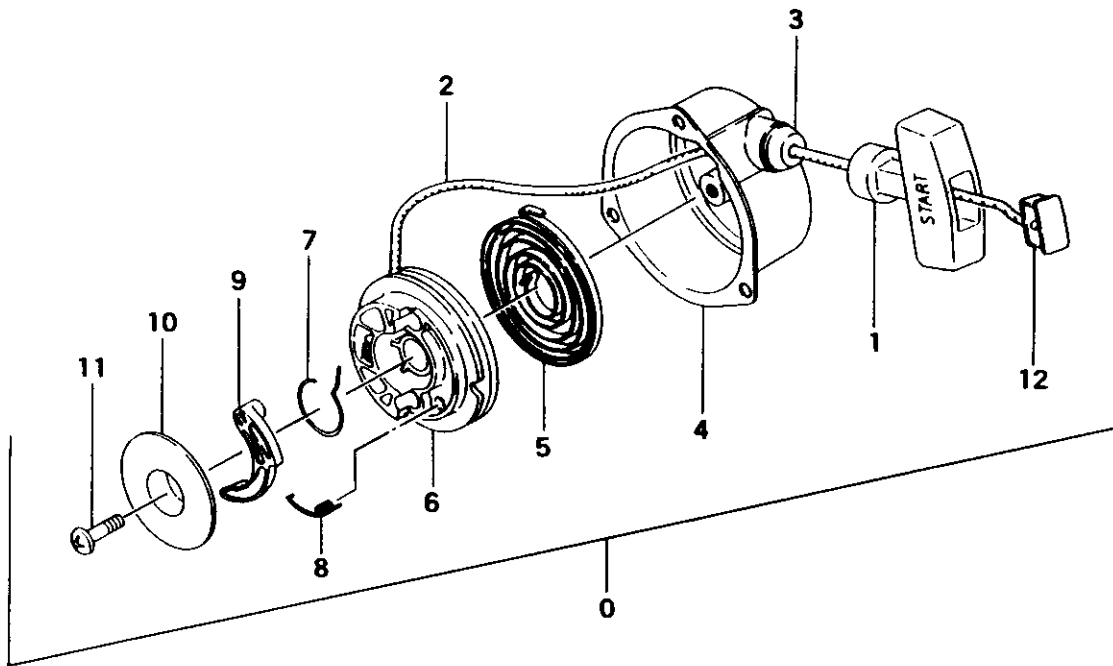


REF. NBR	PART NBR	PART NAME	QTY	SERIAL NBR	REMARKS
2-001	738-0608C-200	MUFFLER PROTECTOR	1		
2-004	737-06100-210	MUFFLER GASKET	2		
2-005	133-0604A-202	HEAT SHIELD	1	R	-B200532
2-005	133-0604A-203	HEAT SHIELD	1		B200533-
2-006	403-0608A-200	INLET MANIFOLD GASKET	1		
2-007	404-06020-201	INSULATOR	1		-B200532
2-007	404-06020-202	INSULATOR	1	M	B200533-
2-008	423-06092-201	CLEANER BODY	1	R	-B241927
2-008	423-06092-203	CLEANER BODY	1		B241928-
2-009	446-0602V-200	CLEANER ELEMENT	1		
2-010	424-06092-200	CLEANER CAP	1	R	-B201503
2-010	424-06092-201	CLEANER CAP	1		B201504-
2-011	885-0608A-901	THROTTLE WIRE ASS'Y	1		
2-012	436-0608A-200	CLEANER FIXING BASE	1	M	B200533-
2-014	410-06092-900	CLEANER ASS'Y	1	R	-B222232
2-014	410-06092-901	CLEANER ASS'Y	1	I	-B242781
2-014	410-06092-902	CLEANER ASS'Y	1	R	-C097928
2-014	410-06092-910	CLEANER ASS'Y	1	I	-D192786
2-014	410-06092-911	CLEANER ASS'Y	1		D192787-
2-015	357-00601-200	STEP BOLT	2		
2-016	348-0602R-200	CLUTCH PLATE A	4	M	
2-016	348-0602R-200	CLUTCH PLATE A	2		
2-017	342-0605A-200	CLUTCH SPRING	1	R	-B200532
2-017	342-0605A-201	CLUTCH SPRING	1		B200533-
2-018	290-00501-802	CLUTCH SHOE COMP.	2		
2-019	359-02103-200	CLUTCH WASHER B	2		
2-020	798-06000-200	STARTER PULLEY	1	R	-C146312
2-020	798-06094-200	STARTER PULLEY	1		C146313-
2-023	655-06100-200	FUEL TANK CUSHION RUBBER	2		
2-024	653-06000-200	FUEL TANK BRACKET	1		
2-027	655-01551-200	FUEL TANK CUSHION RUBBER B	2		
2-028	102-01300-200	INSULATOR	1		
2-030	991-16080-003	NUT 8 (L.H. THREAD)	1		
2-036	680-04019-210	CLIP 7	1		
2-038	675-0608A-900	PUMP FILTER BODY ASS'Y	1		
2-044	500-33202-205	RUBBER PIPE CAP	1		
2-045	678-00601-201	RUBBER PIPE	1		
2-055	591-0608A-201	TANK	1	R	-B146312
2-055	591-0608A-202	TANK	1	R	-C146312
2-055	591-0608A-203	TANK	1		C146313-
2-059	700-03005-130	FUEL PIPE 3X5X130	1		
2-061	130-00610-202	FAN CASE PLUG	1	N	C146313-
2-062	170-0604A-800	STOP CORD COMP.	1	D	C146313-
2-072	359-10112-203	CLUTCH WASHER B	1		
2-078	990-11040-121	SCREW 4X12	1		
2-079	992-10040-012	S.WASHER 4	1		
2-080	992-01040-011	WASHER 4	1		
2-081	990-11050-101	SCREW 5X10	1		
2-082	992-10050-012	S.WASHER 5	1		
2-083	992-01050-011	WASHER 5	1		
2-084	990-11050-451	SCREW 5X45	2		
2-085	992-10050-012	S.WASHER 5	2		
2-086	992-00050-011	SMALL WASHER 5	2		
2-087	990-11050-121	SCREW 5X12	1		
2-088	992-10050-012	S.WASHER 5	1		
2-089	992-01050-011	WASHER 5	1		
2-090	990-11050-141	SCREW 5X14	1		
2-091	992-10050-012	S.WASHER 5	1		
2-092	992-00050-011	SMALL WASHER 5	1		
2-093	990-11050-121	SCREW 5X12	3		-C146312
2-093	990-11050-141	SCREW 5X14	3	N	C146313-
2-094	992-10050-012	S.WASHER 5	3		
2-095	992-00050-011	SMALL WASHER 5	3		

- To be cont'd -

REF. NBR	PART NBR	PART NAME	QTY	SERIAL NBR	REMARKS
2-096	990-11050-141	SCREW 5X14	1		
2-097	992-10050-012	S.WASHER 5	1		
2-098	992-01050-011	WASHER 5	1		
2-150	990-11050-651	SCREW 5X65	2	-B200532	
2-150	990-11050-751	SCREW 5X75	2	M B200533-	
2-151	992-10050-012	S.WASHER 5	2		
2-152	992-01050-011	WASHER 5	2		
2-153	990-11050-101	SCREW 5X10	2		
2-154	992-10050-012	S.WASHER 5	2		
2-155	990-23050-206	H.T. BOLT 5X20	1		
2-156	992-10050-012	S.WASHER 5	1		
2-157	992-00050-011	SMALL WASHER 5	1		
2-159	990-11040-101	SCREW 4X10	1		
2-160	992-10040-012	S.WASHER 4	1		
2-161	992-01040-011	WASHER 4	1		
2-166	991-01060-013	NUT 6	2		
2-175	595-0062A-910	TANK CAP ASS'Y, ORANGE	1	M	
2-175	595-0062A-901	TANK CAP ASS'Y	1		
2-186	941-0608A-200	STAND	1	R -C146312	
2-186	941-06092-200	STAND	1	C146313-	
2-187	289-0604A-900	CLUTCH SHAFT ASS'Y	1	R -B200532	
2-187	289-06091-900	CLUTCH DRUM ASS'Y	1	B200533-	
2-188	993-51032-002	STOP RING C-32 IN	1		
2-189	999-61620-101	BALL BEARING #6201ZZ, 32MM/OD	1		
2-190	993-50012-002	STOP RING C-12 EX	1		
2-191	801-0604A-201	STEP WASHER	1		
2-192	999-67007-000	O-RING P-7	1	-B222232	
2-192	992-04080-031	WAVE WASHER 8	1	N B222233-	
2-193	992-04080-031	WAVE WASHER 8	2	-C146312	
2-193	992-05080-030	BENT WASHER 8	2	P C146313-	
2-204	402-06020-200	CARBURETOR GASKET	1		
2-208	894-01226-200	THROTTLE WIRE ADJUSTER	1		
2-209	892-06092-200	TOP SPRING	1	N E250776-	
2-217	739-0602B-200	MUFFLER COUPLING GASKET	2		
2-218	717-0608A-200	MUFFLER BODY B	1		
2-222	528-0602W-200	CHOKE VALVE	1	R -C054344	
2-222	528-0602W-201	CHOKE VALVE	1	R -D048890	
2-222	528-0602W-202	CHOKE VALVE	1	D048891-	
2-223	470-0602N-200	CLEANER COLLAR	2		
2-225	706-0608A-900	MUFFLER ASS'Y	1	R -C146312	
2-225	706-0608A-910	MUFFLER ASS'Y	1	C146313-	
2-226	722-0608A-200	MUFFLER PARTITION PLATE	1	R -C146312	
2-226	722-0608A-800	MUFFLER PARTITION PLATE COMP.	1	C146313-	
2-227	740-0602B-201	MUFFLER COLLAR	2		
2-262	990-11050-141	SCREW 5X14	1		

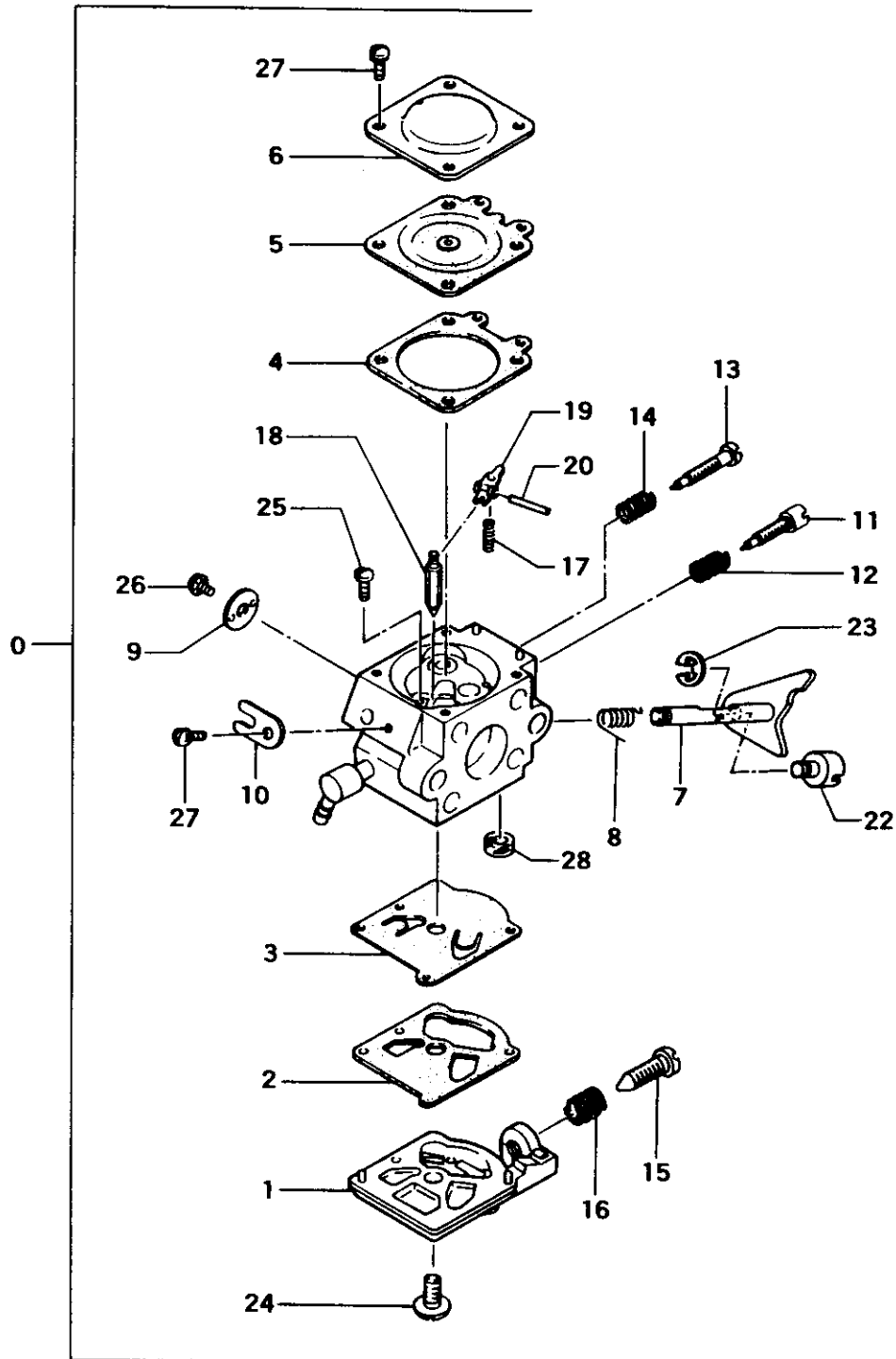
# FIG.3 RECOIL STARTER



REF. NBR	PART NBR	PART NAME	QTY	SERIAL NBR	REMARKS
3-000.1	756-0601R-900	RECOIL STARTER ASS'Y	1	M	
3-000.1	756-0604A-900	RECOIL STARTER ASS'Y	1	M	
3-000.1	756-0604A-901	RECOIL STARTER ASS'Y	1	M	
3-000.1	762-0604A-901	RECOIL STARTER BODY ASS'Y	1	R	-C146312
3-000	756-06092-900	RECOIL STARTER ASS'Y	1	M	
3-000	762-06092-900	RECOIL STARTER BODY ASS'Y	1	R	-C213509
3-000	762-06092-901	RECOIL STARTER BODY ASS'Y	1		C213510-
3-001.1	785-06000-200	STARTER HANDLE	1	I	-C146312
3-001	785-06097-200	STARTER HANDLE	1		C146313-
3-002.1	783-06000-200	ROPE	1		-C146312
3-002	783-06092-200	ROPE 3.5X890L	1	M	C146313-
3-003	782-06097-200	ROPE GUIDE	1	M	C213510-
3-004.1	772-0604A-800	RECOIL STARTER BODY COMP.	1		-C146312
3-004	772-06092-200	RECOIL STARTER BODY	1	N	C146313-
3-005.1	779-06000-200	RECOIL SPRING	1		-C146312
3-005	779-06092-200	RECOIL SPRING	1	M	
3-005	779-01250-200	RECOIL SPRING	1	M	C146313-
3-006.1	774-06000-210	STARTER ROPE REEL	1		-C146312
3-006	769-06092-200	STARTER ROPE REEL	1	N	C146313-
3-007.1	836-06000-200	FRICTION SPRING	1	I	-C146312
3-007	836-06092-200	FRICTION SPRING	1		C146313-
3-008.1	832-01500-200	RETURN SPRING	1	M	
3-008.1	832-06000-200	RETURN SPRING	1		-C146312
3-008	832-06092-200	RETURN SPRING	1	N	C146313-
3-009.1	788-06000-210	STARTER PAWL	1		-C146312
3-009	788-06092-200	STARTER PAWL	1	N	C146313-
3-010.1	837-06000-201	FRICTION PLATE	1		-C146312
3-010	837-06092-200	FRICTION PLATE	1	N	C146313-
3-011.1	991-01050-013	NUT 5	1		-C146312
3-011	990-15050-121	SCREW 5X12	1	N	C146313-
3-012.1	815-06000-200	STARTER HANDLE METAL	1	M	
3-012.1	835-05004-200	HANDLE CAP	1	I	-C146312
3-012	795-0602K-200	STARTER HANDLE CAP	1		C146313-

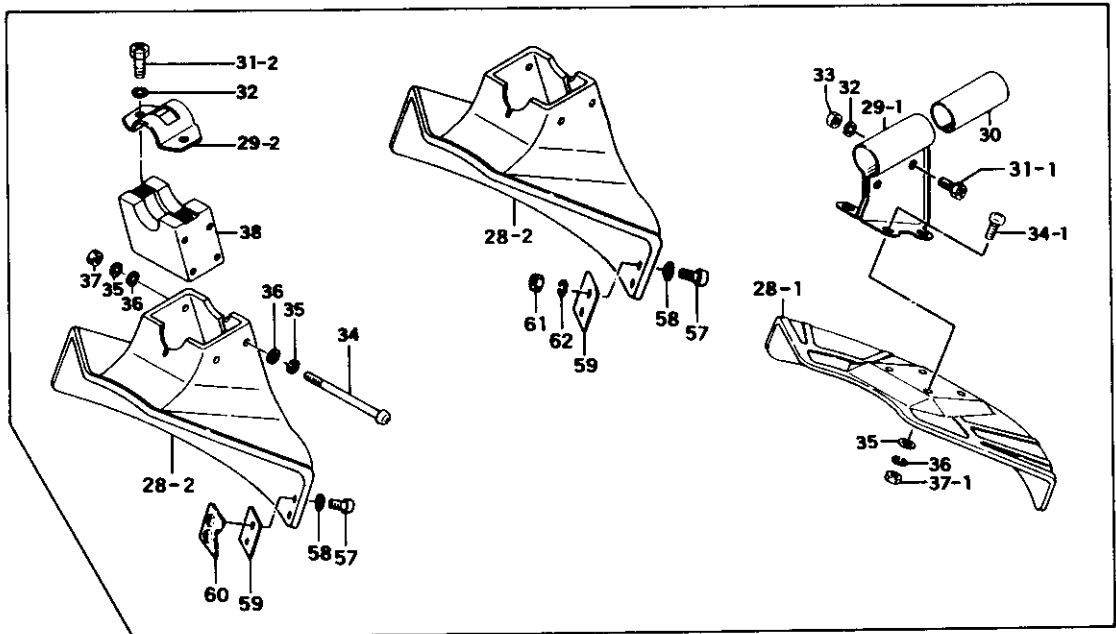
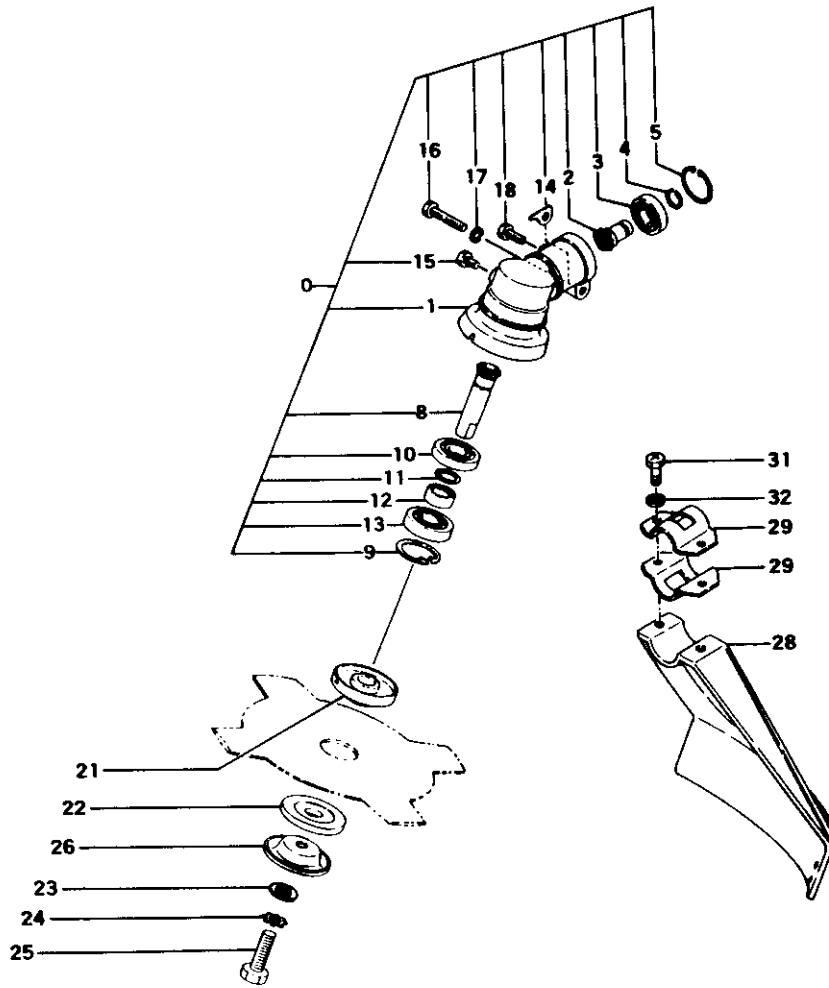


# FIG.4 CARBURETOR



REF. NBR	PART NBR	PART NAME	QTY	SERIAL NBR	REMARKS
4-000	455-25013-900	CARBURETOR ASS'Y, WA-134A	1	-B200532	
4-000	455-25013-901	CARBURETOR ASS'Y, WA-134A	1	B200533-	
4-001	575-25013-200	PUMP BODY	1		
4-002	577-25006-200	PUMP GASKET	1		
4-002	577-25013-200	PUMP GASKET	1		
4-002	577-25007-200	PUMP GASKET	1		
4-003	576-25006-200	PUMP DIAPHRAGM	1		
4-004	475-25001-200	DIAPHRAGM GASKET	1		
4-005	474-25001-200	METERING DIAPHRAGM	1		
4-005	474-25001-800	METERING DIAPHRAGM COMP.	1		
4-006	476-25006-200	DIAPHRAGM COVER	1		
4-006	476-25004-200	DIAPHRAGM COVER	1		
4-007	464-25006-800	THROTTLE SHAFT COMP.	1		
4-008	486-25006-200	THROTTLE SPRING	1		
4-008	486-25009-200	THROTTLE SPRING	1		
4-009	488-25006-200	THROTTLE VALVE	1		
4-010	557-25006-200	THROTTLE SHAFT CLIP	1		
4-011	460-25013-200	HIGH ADJUST SCREW	1		
4-012	485-25003-200	HIGH ADJUST SPRING	1		
4-013	461-25006-200	LOW ADJUST SCREW	1		
4-014	623-25001-200	HIGH/LOW ADJUST SPRING	1		
4-015	462-25006-200	IDLE ADJUST SCREW	1		
4-016	463-25006-200	IDLE ADJUST SPRING	1		
4-017	477-25013-200	VALVE SPRING	1		
4-018	603-25001-200	NEEDLE VALVE	1		
4-019	473-25001-200	VALVE HINGE	1		
4-020	605-25001-200	HINGE PIN	1		
4-022	539-25006-200	SWIVEL	1		
4-022	539-25008-200	SWIVEL	1		
4-023	489-25006-200	STOP RING	1		
4-023	489-25008-200	STOP RING	1		
4-024	514-25001-200	SET SCREW	1		
4-025	546-25001-200	HINGE PIN SET SCREW	1		
4-026	467-25003-200	SHUTTER SCREW	1		
4-027	548-25014-200	SET SCREW	5		
4-027	548-25005-200	SET SCREW	5		
4-027	548-25012-200	SET SCREW	5		
4-028	578-25006-200	INLET SCREEN	1		
4-028	578-25007-200	INLET SCREEN	1		

# FIG.5 GEAR CASE



REF. NBR	PART NBR	PART NAME	QTY	SERIAL NBR.	REMARKS
5-000	300-33900-910	GEAR CASE ASS'Y	1	R -B222232	
5-000	300-33904-900	GEAR CASE ASS'Y	1	B222233-	
5-001	300-33900-220	GEAR CASE	1	R -B133613	
5-001	300-33900-221	GEAR CASE A	1	R -B222232	
5-001	300-33904-200	GEAR CASE	1	I -B242787	
5-001	300-33904-201	GEAR CASE	1	M	
5-001	300-33904-202	GEAR CASE	1	B242788-	
5-002	302-33900-200	PINION	1		
5-003	999-61609-001	BALL BEARING 609ZZ, 24MM/OD	1		
5-004	993-52009-002	STOP RING S-9 EX	1		
5-005	993-51024-002	STOP RING C-24 IN	1		
5-008	301-33900-200	GEAR	1		
5-009	993-51028-002	STOP RING C-28 IN	2	-B242787	
5-009	993-51028-002	STOP RING C-28 IN	1	B242788-	
5-010	999-61600-100	BALL BEARING #6001, 28MM/OD	1		
5-011	993-57012-002	STOP RING 12	1		
5-012	342-33900-200	COLLAR	1		
5-013	999-61600-103	BALL BEARING 6001D, 28MM/OD	1		
5-014	324-33900-200	GEAR CASE WASHER	1		
5-015	990-23060-101	BOLT 6X10	1	-B222232	
5-015	990-23060-081	BOLT W/PLUS 6X8	1	N B222233-	
5-016	990-23050-251	BOLT W/PLUS 5X25	1		
5-017	992-10050-012	S. WASHER 5	1		
5-018	990-23050-101	BOLT W/PLUS 5X10	1		
5-021	310-33900-200	CUTTER HOLDER	1		
5-022	311-33900-200	CUTTER HOLDER CAP	1		
5-023	992-01080-011	WASHER 8	1		
5-024	992-29080-000	TOOTHED LOCK WASHER 8 L/H	1		
5-025	312-33700-200	BOLT 8/L.H THREAD	1		
5-026	316-33410-200	BOLT PROTECTION COVER	1		
5-028,1	441-33700-210	SAFETY GUARD	1	R -B222232	
5-028,1	441-33700-220	SAFETY GUARD	1	-C156400	
5-028,2	441-33671-200	SAFETY GUARD	1	N -C213509	
5-028,2	441-33671-200	SAFETY GUARD	1	R -C213509	
5-028,2	441-33671-210	SAFETY GUARD	1	R -D082525	
5-028,2	441-33671-220	SAFETY GUARD	1	-D206800	
5-028	441-33905-800	SAFETY GUARD COMP., PLASTIC	1	N D206801-	
5-029,1	442-33410-200	SAFETY GUARD BRACKET	1	-C156400	
5-029,2	442-33905-200	SAFETY GUARD BRACKET	1	N -D206800	
5-029	442-33905-200	SAFETY GUARD BRACKET	2	R -D227561	
5-029	442-33905-201	SAFETY GUARD BRACKET	2	D227562-	
5-030	444-33900-200	BRACKET SPACER	1	D C156401-	
5-031,1	990-23060-121	BOLT 6X12 W/PLUS	2	-C156400	
5-031,2	990-23060-151	BOLT 6X15 W/PLUS	2	N -D206800	
5-031	990-23060-181	BOLT 6X18 W/PLUS	2	N D206801-	
5-032	992-10060-012	S. WASHER 6	2		
5-033	991-01060-011	NUT 6	2	D C156401-	
5-034,1	990-11050-121	SCREW 5X12	4	-B222232	
5-034,1	990-11050-161	SCREW 5X16	4	N -C156400	
5-034	990-11050-751	SCREW 5X75	2	N C156401-	
5-034	990-11050-751	SCREW 5X75	2	D D206801-	
5-035	992-01050-011	WASHER 5	4	D D206801-	
5-036	992-10050-012	S. WASHER 5	4	D D206801-	
5-037,1	991-01050-011	HEX. NUT 5	4	-C156400	
5-037	991-01050-011	HEX. NUT 5	2	C156401-	
5-037	991-01050-011	HEX. NUT 5	2	D D206801-	
5-038	455-33905-200	SAFETY GUARD HOLDER	1	M	
5-038	445-33905-200	SAFETY GUARD HOLDER	1	N C156401-	
5-038	445-33905-200	SAFETY GUARD HOLDER	1	R -C185791	
5-038	445-33905-210	SAFETY GUARD HOLDER	1	C185792-	
5-038	445-33905-210	SAFETY GUARD HOLDER	1	D D206801-	
5-057	990-11040-161	SCREW 4X16	2	N C156401-	
5-057	990-11040-161	SCREW 4X16	2	R -C213509	

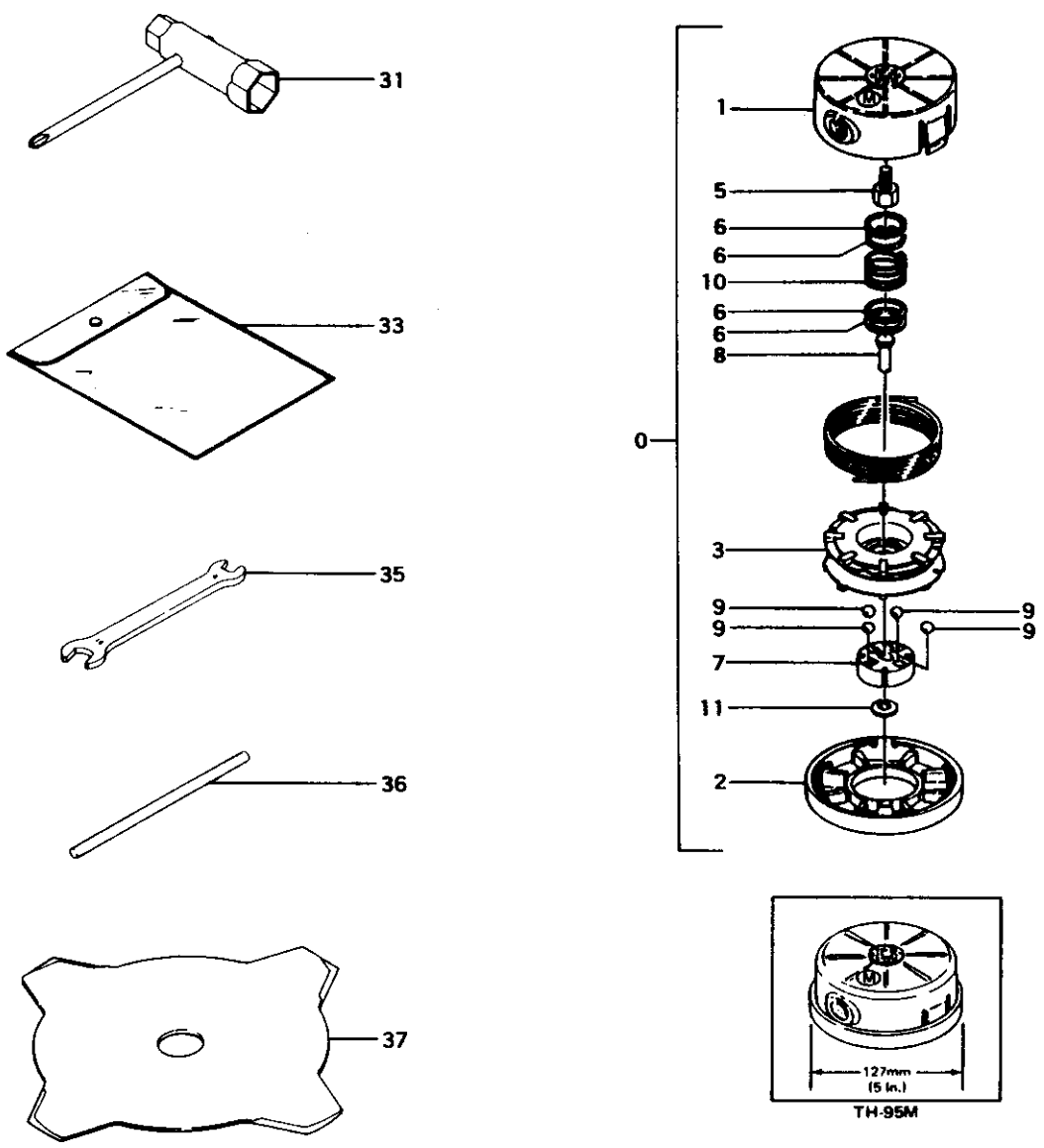
- To be cont'd -

REF. NBR	PART NBR	PART NAME	QTY	SERIAL NBR	REMARKS
5-057	990-11040-121	SCREW 4X12	2	C213510-	
5-057	990-11040-121	SCREW 4X12	2	D206801-	
5-058	992-01040-011	WASHER 4	2	N C156401-	
5-058	992-01040-011	WASHER 4	2	D D206801-	
5-059	800-33005-200	CORD CUTTER BLADE	1	N C156401-	
5-059	800-33005-200	CORD CUTTER BLADE	1	I -C213509	
5-059	800-33005-201	CORD CUTTER BLADE	1	D C213510-	
5-059	800-33005-201	CORD CUTTER BLADE	1	D D206801-	
5-060	799-33005-200	BLADE GUIDE	1	N C213510-	
5-060	799-33005-200	BLADE GUIDE	1	D D206801-	
5-061	991-01040-011	HEX. NUT 4	2	N C156401-	
5-061	991-01040-011	HEX. NUT 4	2	D C213510-	
5-062	992-10040-012	S.WASHER 4	2	N C156401-	
5-062	992-10040-012	S.WASHER 4	2	D C213510-	



REF. NBR	PART NBR	PART NAME	QTY		SERIAL NBR	REMARKS
6-001	500-33900-200	HANDLE	1	R	-B133613	
6-001	500-33900-210	HANDLE	1		B133614-	
6-002	506-33900-200	HANDLE BRACKET A	1			
6-003	343-33900-201	DRIVE SHAFT	1			
6-004	341-33901-800	DRIVE SHAFT PIPE COMP.	1			
6-005	347-33900-900	BUSH ASS'Y	5			
6-006	504-33900-200	SHAFT GRIP	1			
6-007	290-33900-801	PIPE BUSH COMP.	1	R	-C213509	
6-007	290-33900-802	PIPE BUSH COMP.	1		C213510-	
6-010	990-21060-451	BOLT 6X45	2			
6-011	991-01060-011	NUT 6	2			
6-012	992-10060-012	S. WASHER 6	2			
6-013	992-01060-011	WASHER 6	2			
6-014	990-11060-101	SCREW 6X10	1			
6-015	992-10060-012	S. WASHER 6	1			
6-016	992-00060-011	SMALL WASHER 6	1			
6-018.1	870-0608A-901	THROTTLE LEVER ASS'Y	1	R	-B133613	
6-018.1	870-0608A-902	THROTTLE LEVER ASS'Y	1		-C146312	
6-018.1	870-0608A-903	THROTTLE LEVER ASS'Y	1	M		
6-018.2	870-0062M-900	THROTTLE LEVER ASS'Y	1	N	-D206800	
6-018	870-33905-900	THROTTLE LEVER ASS'Y	1	N	-E250775	
6-018	870-33905-901	THROTTLE LEVER ASS'Y	1	P	E250776-	
6-019.1	178-06092-800	STOP CORD COMP.	1	N	C146313-	
6-019.1	178-06092-800	STOP CORD COMP.	1		-D206800	
6-019	178-33905-800	STOP CORD COMP.	1	N	D206801-	
6-021	880-33564-200	THROTTLE ARM	1	N	D206801-	
6-022	832-33564-200	RETURN SPRING	1	N	D206801-	
6-023	162-33564-200	STOP SWITCH	1	N	D206801-	
6-023	162-33564-200	STOP SWITCH	1		-E250775	
6-023	162-33564-210	STOP SWITCH	1	N	E250776-	
6-024	262-33564-200	STOP SWITCH SPRING	1	N	D206801-	
6-025	176-33564-200	EARTH TERMINAL	1	N	D206801-	
6-026	956-33564-200	LOCK BUTTON A	1	N	D206801-	
6-027	958-33564-200	LOCK BUTTON SPRING	1	N	D206801-	
6-028	957-33564-200	LOCK BUTTON B	1	N	D206801-	
6-029	990-11050-301	SCREW 5X30	2	N	D206801-	
6-029	990-11050-301	SCREW 5X30	2		-E250775	
6-029	994-31050-301	SCREW 5X30	2	P	E250776-	
6-030	994-31050-251	SCREW 5X25	1	N	D206801-	
6-031	991-86050-000	SELF-LOCK NUT 5	3	N	D206801-	
6-035	883-33905-800	BAND	1	N	C146313-	
6-035	883-33905-800	BAND	1	D	D206801-	
6-036	640-33905-200	STOP BUTTON BRACKET	1	N	C146313-	
6-036	640-33905-200	STOP BUTTON BRACKET	1	D	D206801-	
6-037	183-01300-200	SWITCH NAME PLATE	1	N	C146313-	
6-037	183-01300-200	SWITCH NAME PLATE	1	D	D206801-	
6-038	162-01300-900	STOP SWITCH ASS'Y	1	N	C146313-	
6-038	162-01300-900	STOP SWITCH ASS'Y	1	D	D206801-	
6-039	168-33905-200	STOP BUTTON COVER	1	N	C146313-	
6-039	168-33905-200	STOP BUTTON COVER	1	R	-C156400	
6-039	168-33905-201	STOP BUTTON COVER	1		C156401-	
6-039	168-33905-201	STOP BUTTON COVER	1	D	D206801-	
6-040	990-11050-141	SCREW 5X14	1	N	C146313-	
6-040	990-11050-141	SCREW 5X14	1	D	D206801-	

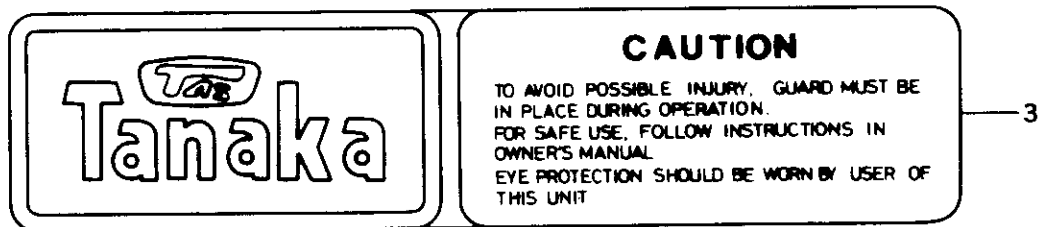
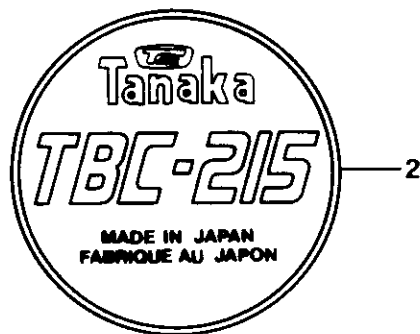
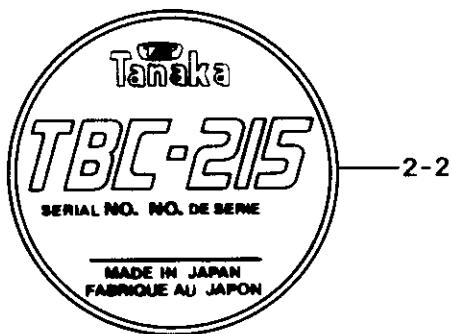
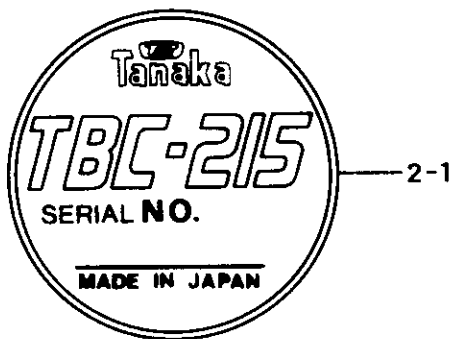
# FIG.7 TOOLS & NYLON HEAD



REF. NBR	PART NBR	PART NAME	QTY	SERIAL NBR	REMARKS
7-000	783-33910-901	NYLON HEAD ASS'Y (TH-95M)	1		
7-001	786-33004-801	CUTTING BODY COMP.	1		
7-002	789-33004-201	BODY CAP	1		
7-003	787-33004-202	CORD REEL	1		
7-005	314-33670-200	8X1.25 L/H BOLT (GOLD)	1		
7-006	792-33004-200	REEL WASHER	4		
7-007	790-33004-200	REEL SLIDER	1		
7-008	791-33004-200	REEL SLIDER HOOK	1		
7-009	673-35600-200	STEEL BALL 5/16"	4		
7-010	793-33910-200	REEL SPRING (SILVER)	1		
7-011	358-02103-200	WASHER	1		
7-031	829-20000-800	COMBI. BOX SPANNER 13X19 .PLUS	1		
7-033	948-32352-200	TOOL BAG	1		
7-035	801-20000-200	SPANNER 8X10	1		
7-036	752-33900-200	LOCKING BAR	1		
7-037	802-33701-200	BLADE 4 TEETH 200	1	-C146312	
7-037	802-33410-200	4 TOOTHED BLADE, 230	1	N C146313-	



**FIG.8 MARKS**



REF. NBR	PART NBR	PART NAME	QTY	SERIAL NBR	REMARKS
8-001	929-0608A-200	SYMBOL MARK	1		
8-002,1	906-06092-200	NAME PLATE	1	R -B242787	
8-002,2	906-06092-210	NAME PLATE (ENGLISH & FRENCH)	1	R -C146312	
8-002	906-06092-220	NAME PLATE	1	C146313-	
8-003,1	929-33800-201	SYMBOL MARK	1	R -C146312	
8-003	929-33576-200	SYMBOL MARK	1	C146313-	