

Tanaka.



Parts Catalog



Brush Cutter

Model: TBC-220SS

Part # 12704 2-14-97

Grass Trimmer Attachments

TPS-200

Pruning Saw Attachment

The versatile TPS-200 Pruning Saw attachment easily converts Tanaka straight shaft grass trimmers / brushcutters into a powerful pruning saw.



TPS-200 Features:

- 24" Shaft Provides a 98" Overall Length when mounted
- 10" Oregon® Bar & Chain
- Easy-Mount Coupler

To be used with the following Tanaka models:

- AST-7000 / 7000S / 210
- TBC-4500 / 4501 / 2211
- TBC-220 / 240
- TBC-250 / 2501 / 2510 / 265
- TBC-270PF/PN

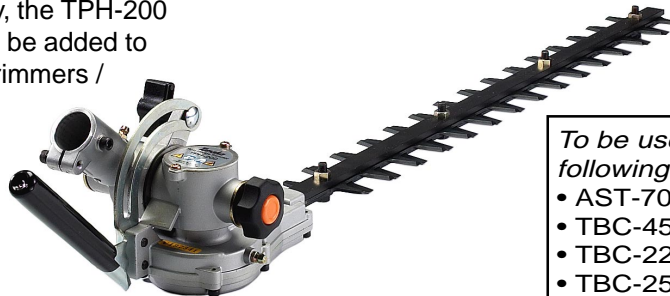


TPS-EXT Pruning Saw **Extension** (Part # 748511) Add an **extra two feet of reach** with this pruning saw extension that will fit on both the TPS-2510 and TPS-270PN Pruning Saws. In addition, it can be added to Tanaka straight shaft grass trimmers that utilize the TPS-200 Pole Saw Attachment.

TPH-200

Pole Hedge Trimmer Attachment

For added reach and maneuverability, the TPH-200 Pole Hedge Trimmer attachment can be added to several Tanaka straight shaft grass trimmers / brushcutters.



TPH-200 Features:

- 22" Double Sided Cutting Blades
- Articulating / Pivoting Cutting Angle up to 130 degrees.

To be used with the following Tanaka models:

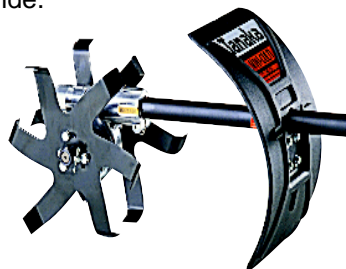
- AST-7000 / 7000S / 210
- TBC-4500 / 4501 / 2211
- TBC-220 / 240
- TBC-250 / 2501 / 2510 / 265
- TBC-270PF/PN

TMC-200

Mini-Cultivator

This simple, easy to install attachment is ideal for quick garden / flower bed weeding and cultivation. For maximum depth, the TMC-200 can dig up to 4 inches into the ground and 6" wide.

With a 49:1 reduction ratio, this heavy duty gear box gives you more tilling power.



To be used with the following Tanaka models:

- AST-7000 / 7000S / 210
- TBC-4500 / 4501 / 2211
- TBC-220 / 240
- TBC-250 / 2501 / 2510 / 265
- TBC-270PF/PN
- TBC-300 / 3010
- TBC-420PF

All data and specifications are subject to change without notice
For more information, contact:

TBC-220SS

OPTIONS AND ACCESSORIES

NYLON LINE



- 746156 .095, Box, 50 ft.
- 746157 .105, Box, 50 ft.
- 746160 .095, 1/2 lb. Box, 143 ft.
- 746161 .105, 1/2 lb. Box, 110 ft.
- 746165 .095, 1 lb. Box, 285 ft.
- 746166 .105, 1 lb. Box, 235 ft.
- 746169 .095, 3 lb. spool, 855 ft.
- 746170 .105, 3 lb. spool, 705 ft.
- 746173 .095, 5 lb. spool, 1425 ft.
- 746174 .105, 5 lb. spool, 1175 ft.

SEMI-AUTO HEAD



746153 PNH-180

Parts List

ET-1201	Body
ET-1206	Cap
ET-1225	Adapter
ET-1205	Spool
ET-1207	Eyelet
ET-1208	Spring
ET-1209	Bump Disk

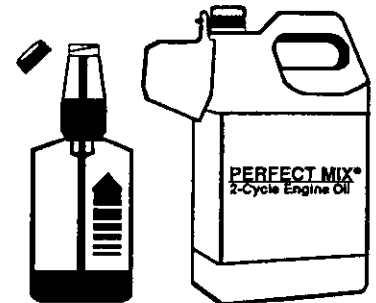
ALUMINUM MANUAL HEAD



PCH-100
(746180)

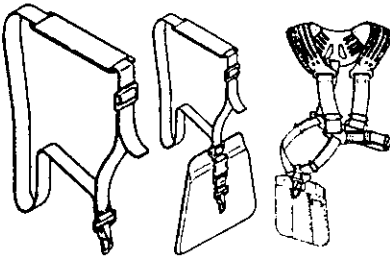
PCH-300
(746190)

PERFECT MIX® 2-Cycle Engine Oil



- 700109 2.8 oz. Bottle, 1 Gallon Size (24*)
 - 700108 16 oz. Self-measuring Bottle (24*)
 - 700110 1 Gallon Jug Commercial Size (6*)
- * Case Quantity

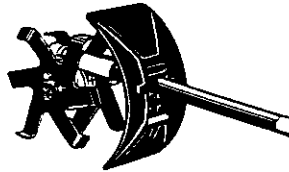
SHOULDER STRAPS



PSS-175 SS-250* SS-400*

* Requires 355-37302-900

TMC-200 CULTIVATOR



BLADES

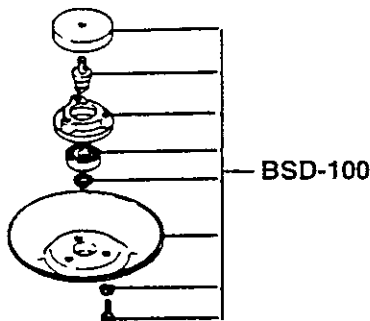


- 746101 Weed Blade, 9"X4T
- 746103 Weed Blade, 9"X48T
- 746104 Saw Blade, 9"X80T
- 746192 Carbide Blade, 9"X36T

MANUALS / CATALOGS

- 10530 Owner's Manual
- 12704 Parts Catalog
- WSM-TBC Service Manual

BLADE SAFETY DISK



SPECIAL TOOLS

- | | | | |
|---------------|--------------------|---------------|---------------------|
| 006-29326-000 | Flywheel Remover | 032-29373-000 | Pinion Fitting Tool |
| 009-29323-500 | Piston Pin Remover | 001-29000-000 | Tachometer |
| 015-29339-000 | Gear Shaft Remover | 070-2000W-500 | Pressure Tester |
| 016-29373-000 | Pinion Remover | 070-2000W-501 | Carb. Tool Kit |



FIG. 1 ENGINE

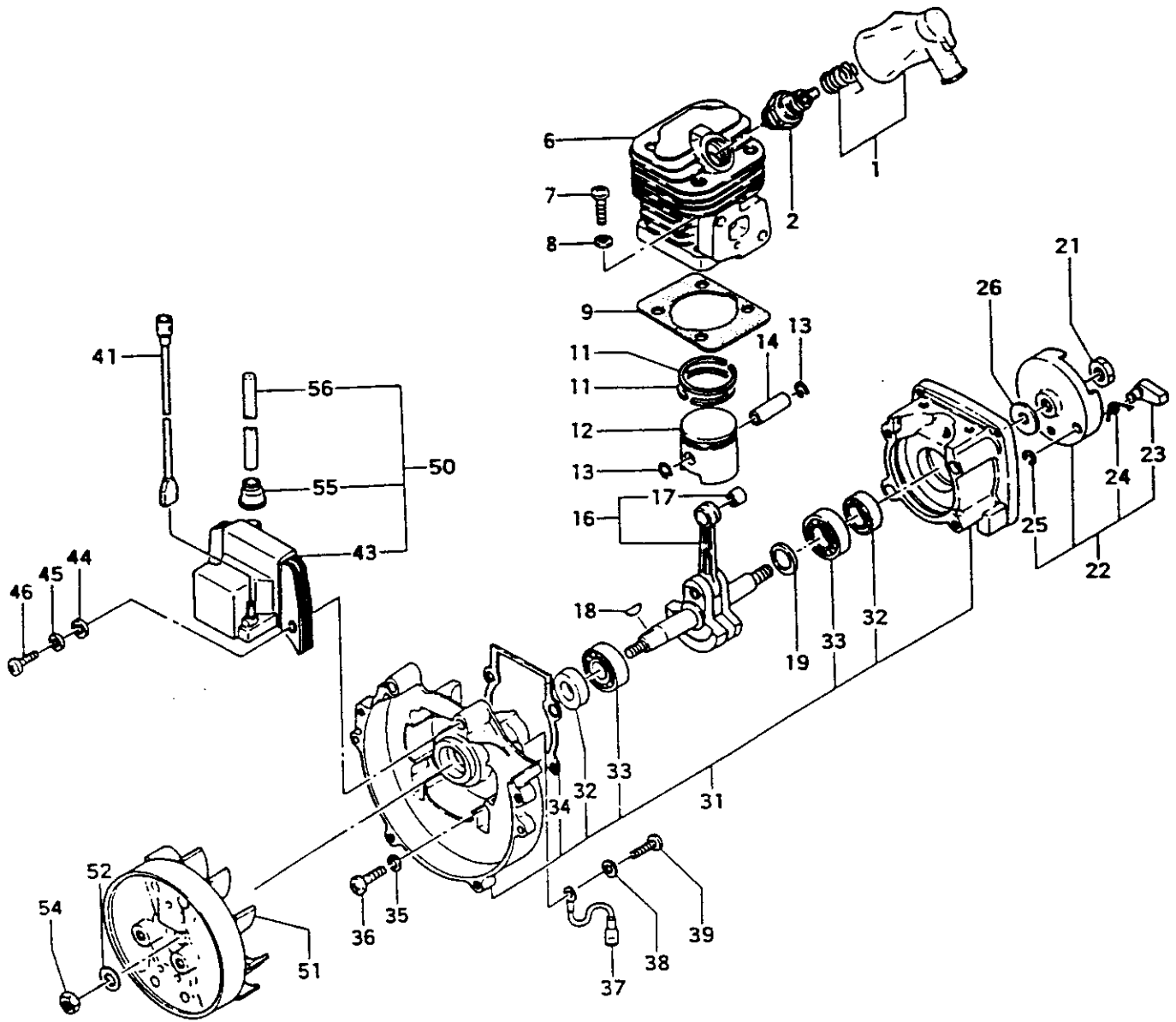


FIGURE 1

TBC-220SS PARTS LISTING

REF.	PART NO.	PART DESCRIPTION	Q	C	S	SERIAL NO	REMARKS
1	157-0097A-900	CAP,SPARK PLUG,ASS'Y	1		B		
2	018-11660-21	PLUG,SPARK	1		B		
6	002-00980-201	CYLINDER	1		D		
7	990-11050-181	SCREW,5X18	4		B		
8	992-10050-012	WASHER,S,5	4		A		
9	017-00980-200	GASKET,CYLINDER	1		C		
11	041-01601-200	RING,PISTON	2		A		
12	031-01601-20	PISTON	1		C		
13	039-01620-200	CIRCLIP,PISTON PIN	2		A		
14	037-01601-200	PIN,PISTON	1		C		
16	046-0631A-81	CRANKSHAFT	1		D		
17	999-62081-225	BEARING,NEEDLE,F-810	1		C		
18	068-10100-200	KEY,WOODRUFF,3X13X4.5	1		C		
19	330-00200-210	SHIM,12.2X19X.10	V		D		Shims are "as needed" to obtain correct c/s side clearance.
19	330-00200-220	SHIM,12.2X19X.15	V		D		
19	330-00200-230	SHIM,12.2X19X.20	V		D		
19	330-00200-240	SHIM,12.2X19X.30	V		D		
21	991-01080-011	NUT,8	1		B		
22	798-06500-900	PULLEY,STARTER,ASS'Y	1		C		
23	788-06097-200	PAWL,STARTER	1		C		
24	790-06097-200	SPRING,STARTER PAWL	1		C		
25	993-55005-000	RING,STOP,5	1		C		
26	359-10112-203	WASHER,CLUTCH B	1		A		
31	072-00980-900	CRANKCASE,ASS'Y	1		D		Includes bearings, seals & gasket
32	999-66122-240	SEAL,OIL,12227	2		A		
33	999-61600-100	BEARING,BALL,#6001	2		B		
34	090-06097-200	GASKET,CRANKCASE	1		C		
35	992-10050-012	WASHER,S,5	4		A		
36	990-11050-251	SCREW,5X25	4		D		
37	274-0631A-800	CORD,EARTH	1		D		
38	992-10040-012	WASHER,S,4	1		B		
39	990-11040-081	SCREW,4X8	1		C		
41	178-0631A-800	CORD,STOP,360mm	1		D		
43	167-20516-900	COIL,IGNITION	1		C		
44	992-00050-011	WASHER,SMALL,5	2		C		
45	992-10050-012	WASHER,S,5	2		A		
46	990-11050-201	SCREW,MX20	2		D		
50	167-20516-900	COIL,IGNITION	1		C		
51	155-20508-800	ROTOR,MAGNETO	1		D		

* Indicates the part is included in a kit or assembly and is not available individually. Q=Quan. used
C=Interchangeability S=Stocking code: A-Fast moving B=Med. fast C=Med. move D=Slow move
E=N.L.A. F=Superseded or replaced by a new part

FIGURE 1 cont.

TBC-220SS PARTS LISTING

REF.	PART NO.	PART DESCRIPTION	Q	C	S	SERIAL NO.	REMARKS
52	992-01070-011	WASHER,7	1		D		
54	066-00000-200	NUT,FLYWHEEL	1		D		
55	560-20517-200	CAP,RUBBER	1		C		
56	264-20516-200	LEAD,HIGH TENSION	1		C		

* Indicates the part is included in a kit or assembly and is not available individually. Q=Quan. used
C=Interchangeability S=Stocking code: A-Fast moving B=Med. fast C=Med. move D=Slow move
E=N.L.A. F=Superseded or replaced by a new part

FIG.2 ENGINE COMPONENTS

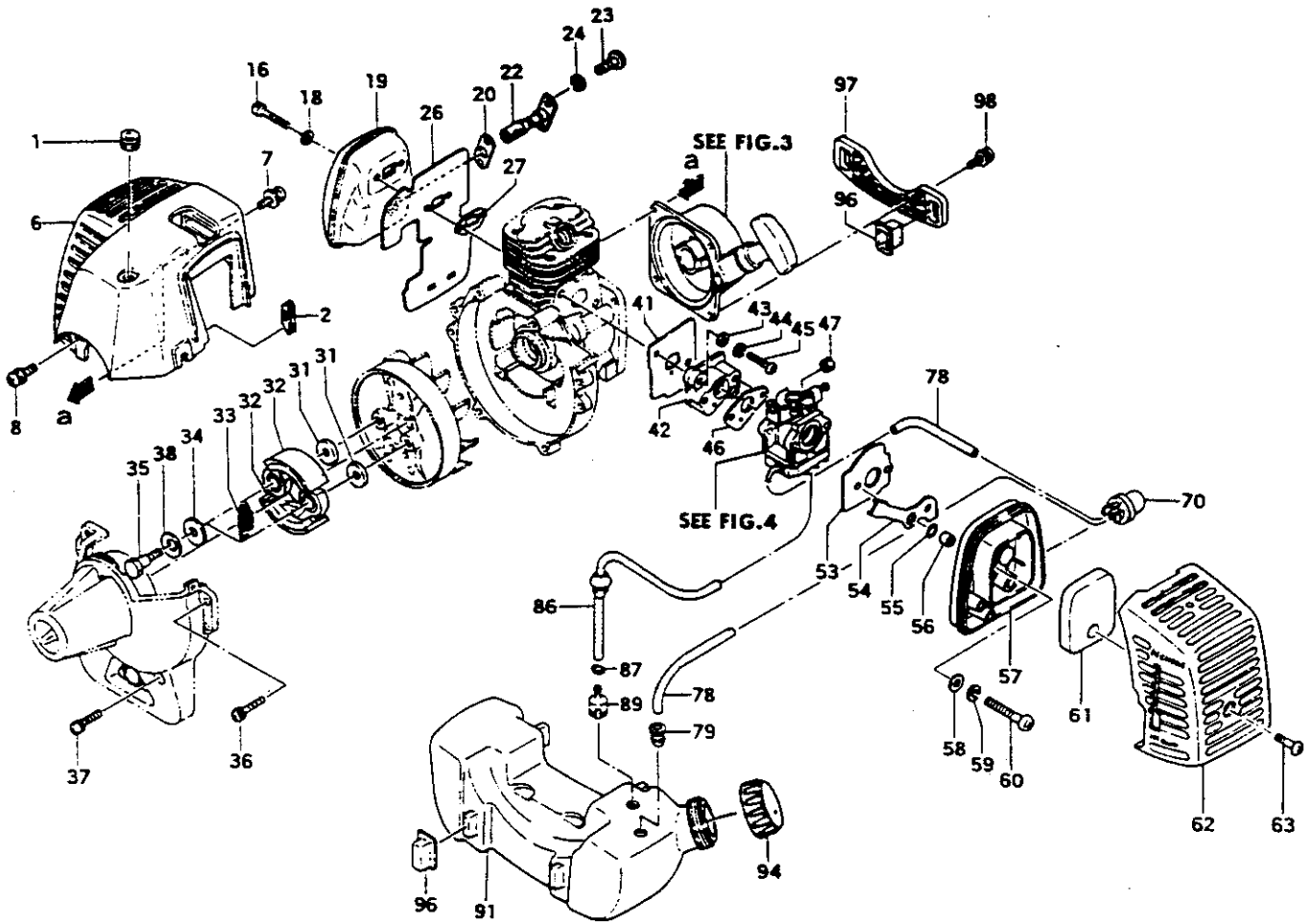


FIGURE 2

TBC-220SS PARTS LISTING

REF.	PART NO.	PART DESCRIPTION	Q	C	S	SERIAL NO.	REMARKS
1	202-01003-201	GROMMET,SECONDARY CORD	1		C		
2	203-0631A-200	GROMMET	1		D		
6	738-0631A-201	PROTECTOR,MUFFLER	1		C		
7	994-15040-222	SCREW,PS,4X22	2		A		
8	994-15040-122	SCREW,4X12/PS	2		C		
16	990-51050-503	BOLT,HEX,5X50	2		C		
18	992-01050-011	WASHER,5	2		A		
19	706-0637C-80	MUFFLER	1		D		
20	751-04200-201	GASKET,MUFFLER	1		C		
22	721-0098A-80	PIPE,TAIL	1		D		
23	990-11040-081	SCREW,4X8	2		C		
24	992-10040-012	WASHER,S,4	2		B		
26	133-0631A-201	SHIELD,HEAT	1		B		
27	737-06100-21	GASKET,MUFFLER	1		B		
31	359-02103-200	WASHER,CLUTCH,B	2		B		
32	290-01620-800	SHOE,CLUTCH	2		A		
33	342-0630B-200	SPRING,CLUTCH	1		A		
34	348-0602R-200	WASHER,CLUTCH A	2		B		
35	357-0075T-200	BOLT,STEP	2		A		
36	994-14050-202	SCREW,5X20/S	2		C		
37	994-14050-352	SCREW,5X35/S	2		C		
38	992-05080-030	WASHER,8	2		C		
41	403-0631A-202	GASKET,INLET MANIFOLD	1		A		
42	404-0631A-800	INSULATOR,CARBURETOR	1		B		
43	992-00050-011	WASHER,SMALL,5	2		C		
44	992-10050-012	WASHER,S,5	2		A		
45	990-11050-221	SCREW,5X22	2		B		
46	402-0602K-21	GASKET,CARBURETOR	1		B		
47	991-01060-013	NUT,6	1		B		
53	436-0162V-20	BASE,CLEANER	1		C		
54	528-00980-200	PLATE,CHOKE	1		D		
55	999-67008-012	O-RING,S-8	1		C		
56	470-0602N-200	COLLAR,CLEANER	1		C		
57	423-0637C-800	BODY,CLEANER	1		B		
58	992-00050-011	WASHER,SMALL,5	2		C		
59	992-10050-012	WASHER,S,5	2		A		
60	990-11050-551	SCREW,5X55	2		C		
61	446-0637C-200	ELEMENT,CLEANER	1		A		
62	452-0637C-200	COVER,CLEANER	1		C		

* Indicates the part is included in a kit or assembly and is not available individually. Q=Quan. used
 C=Interchangeability S=Stocking code: A-Fast moving B=Med. fast C=Med. move D=Slow move
 E=N.L.A. F=Superceded or replaced by a new part

FIGURE 2 cont.

TBC-220SS PARTS LISTING

REF.	PART NO.	PART DESCRIPTION	Q	C	S	SERIAL NO	REMARKS
63	380-0637C-200	BOLT,CLEANER	1		B		
70	442-25143-800	PUMP,PRIMING	1		B		
78	700-02504-080	PIPE,FUEL,2.5X4X80	2		C		
79	534-32710-200	GROMMET, FUEL PIPE	1		C		
86	223-0162V-900	PIPE,FUEL,ASSY	1		A		
87	680-00731-201	CLIP 6.3	1		B		
89	675-04042-80	FILTER,FUEL	1		A		
91	591-0637C-21	TANK,FUEL	1		C		
94	595-0650A-90	CAP,TANK	1		A		
96	655-00940-201	CUSHION,FUEL TANK	4		A		
97	653-0631A-200	BRACKET,TANK	1		C		
98	994-15040-222	SCREW,PS,4X22	2		A		

* Indicates the part is included in a kit or assembly and is not available individually. Q=Quan. used
 C=Interchangeability S=Stocking code: A-Fast moving B=Med. fast C=Med. move D=Slow move
 E=N.L.A. F=Superseded or replaced by a new part

FIG.3 RECOIL STARTER

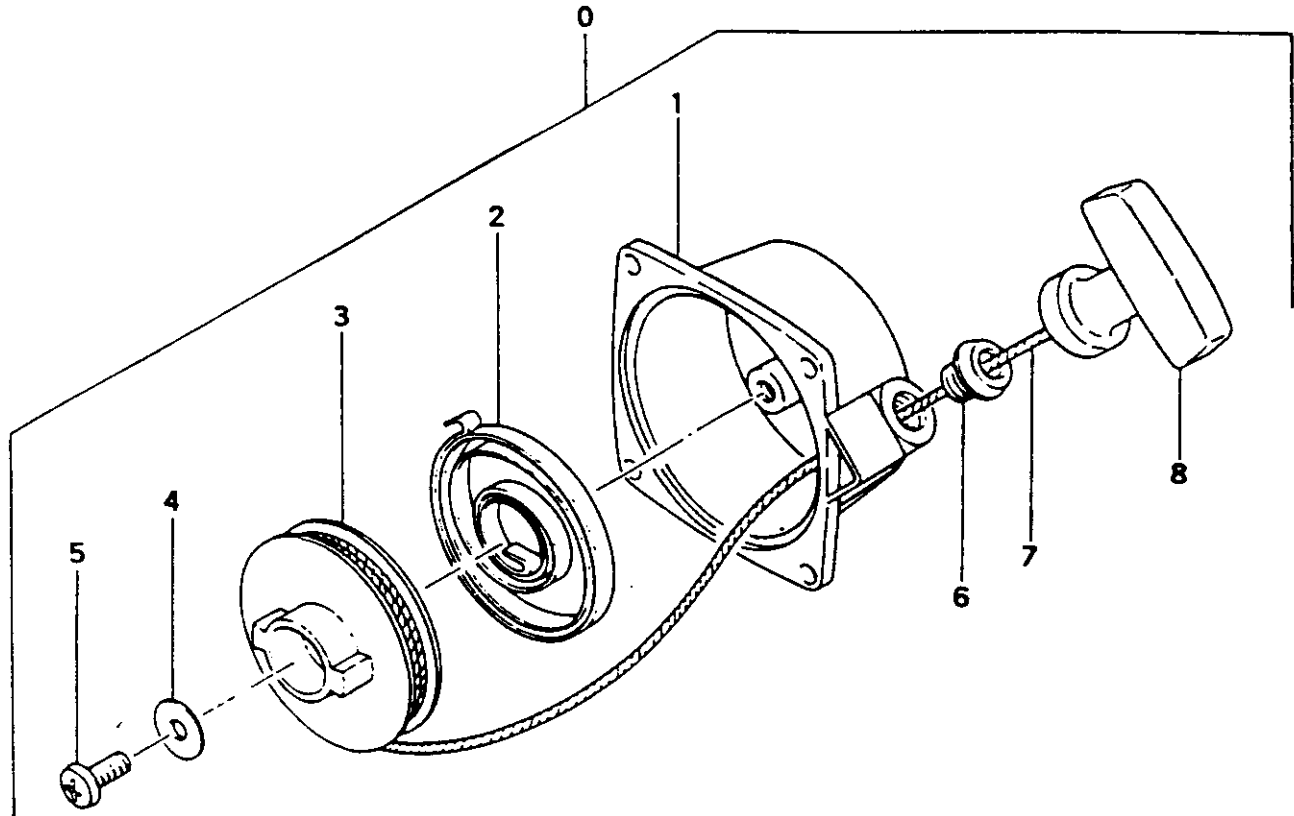


FIGURE 3

TBC-220SS PARTS LISTING

REF.	PART NO.	PART DESCRIPTION	Q	C	S	SERIAL NO	REMARKS
0	762-06097-902	STARTER,RECOIL ASS'Y	1		B		
1	772-06097-202	BODY,RECOIL STARTER	1		C		
2	780-06097-200	SPRING,RECOIL	1		A		
3	774-06097-200	PULLEY,STARTER	1		B		
4	801-06091-200	WASHER,ROPE REEL	1		C		
5	990-15050-121	SCREW,5X12	1		A		
6	782-06097-200	RECEIVER,ROPE	1		D		
7	783-06097-200	ROPE,STARTER	1		C		
8	785-06097-200	HANDLE,STARTER	1		C		

FIG.4 CARBURETOR

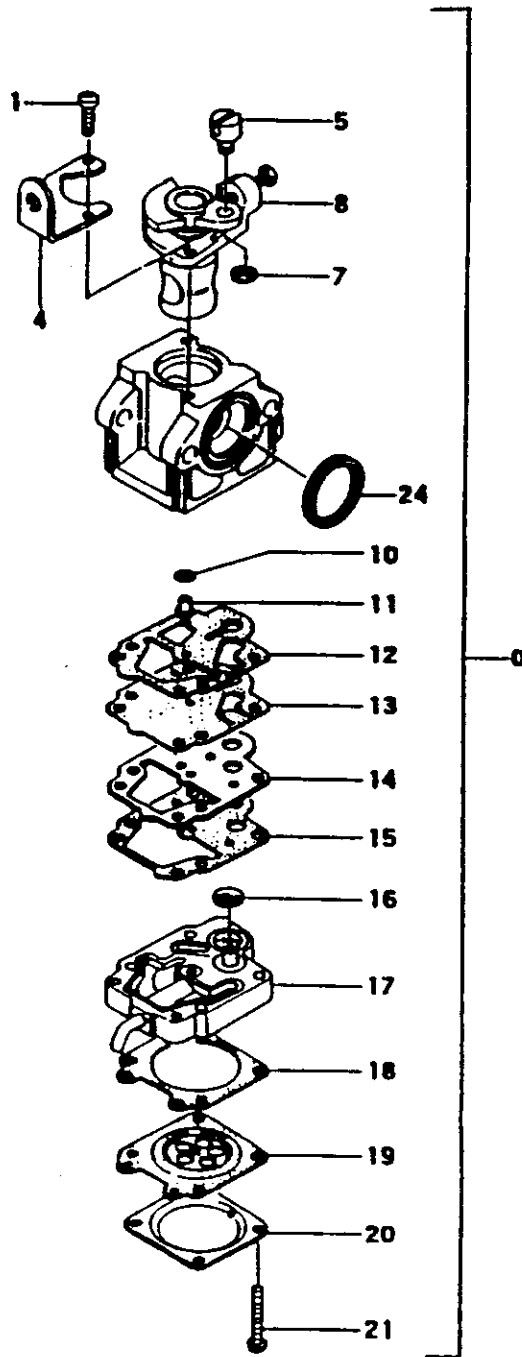


FIGURE 4

TBC-220SS PARTS LISTING

REF.	PART NO.	PART DESCRIPTION	Q	C	S	SERIAL NO.	REMARKS
0	455-25144-900	CARBURETOR,ASS'Y	1		C		
1	514-25100-200	SCREW,THROTTLE SET	2		D		
4	544-25120-200	STAY,ADJUST,CABLE	1		D		
5	539-25120-200	SWIVEL	1		D		
7	489-25100-200	RING,STOP	1		D		
8	488-25129-800	VALVE,THROTTLE	1		C		
10	550-25100-200	O-RING	1		C		
11	599-2000W-430	JET,MAIN,#43	1		D		* Contained in Carb. Repair Kit 650-25124-900 (Not available individually)
12	----	*GASKET,PUMP	1		B		
13	----	*DIAPHRAGM,PUMP	1		B		
14	523-25100-201	PLATE,PUMP	1		C		
15	522-25100-200	PLATE,CIRCUIT	1		C		
16	----	*SCREEN,INLET	1		C		
17	575-25130-800	BODY,PUMP	1		C		
18	----	*GASKET,DIAPHRAGM	1		A		
19	----	*DIAPHRAGM,METERING	1		A		
20	476-25004-200	COVER,DIAPHRAGM	1		D		
21	548-25101-200	SCREW,SET	4		D		
24	431-0634C-200	PACKING,CLEANER	1		C		

* Indicates the part is included in a kit or assembly and is not available individually. Q=Quan. used
 C=Interchangeability S=Stocking code: A-Fast moving B=Med. fast C=Med. move D=Slow move
 E=N.L.A. F=Superseded or replaced by a new part

FIG.5 CLUTCH CASE

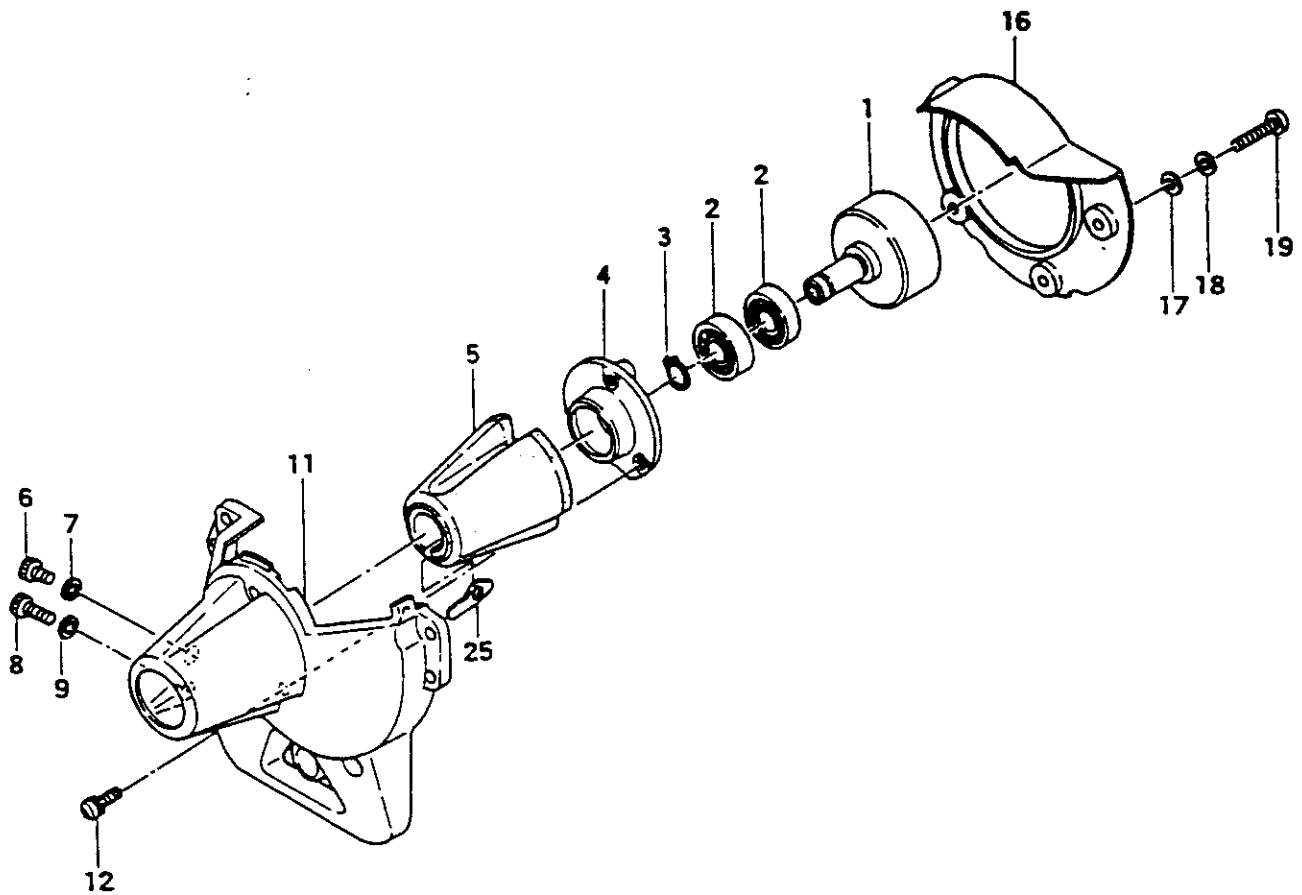


FIGURE 5

TBC-220SS PARTS LISTING

REF.	PART NO.	PART DESCRIPTION	Q	C	S	SERIAL NO	REMARKS
1	289-0631A-802	DRUM,CLUTCH	1		A		
2	999-61600-103	BEARING,BALL,#6001D	2		A		
3	993-50012-002	RING,STOP,C-12 EX	1		A		
4	374-0631A-20	FLANGE,CLUTCH	1		B		
5	599-0631A-802	CUSHION	1		C		
6	990-51050-103	BOLT,HEX.HOLE,5X10	1		C		
7	992-10050-062	WASHER,S,5	1		D		
8	990-51050-203	BOLT,HEX.HOLE,5X20	1		C		
9	992-10050-062	WASHER,S,5	1		D		
11	112-0631A-201	CASE,FAN	1		D		
12	994-14050-122	SCREW,S,5X12	3		B		
16	091-0631A-200	SHIELD,HEAT	1		D		
17	992-01040-011	WASHER,4	3		C		
18	992-10040-012	WASHER,S,4	3		B		
19	990-11040-121	SCREW,4X12	3		B		
25	249-0165A-21	SPACER	1		D		

FIG.6 HANDLE

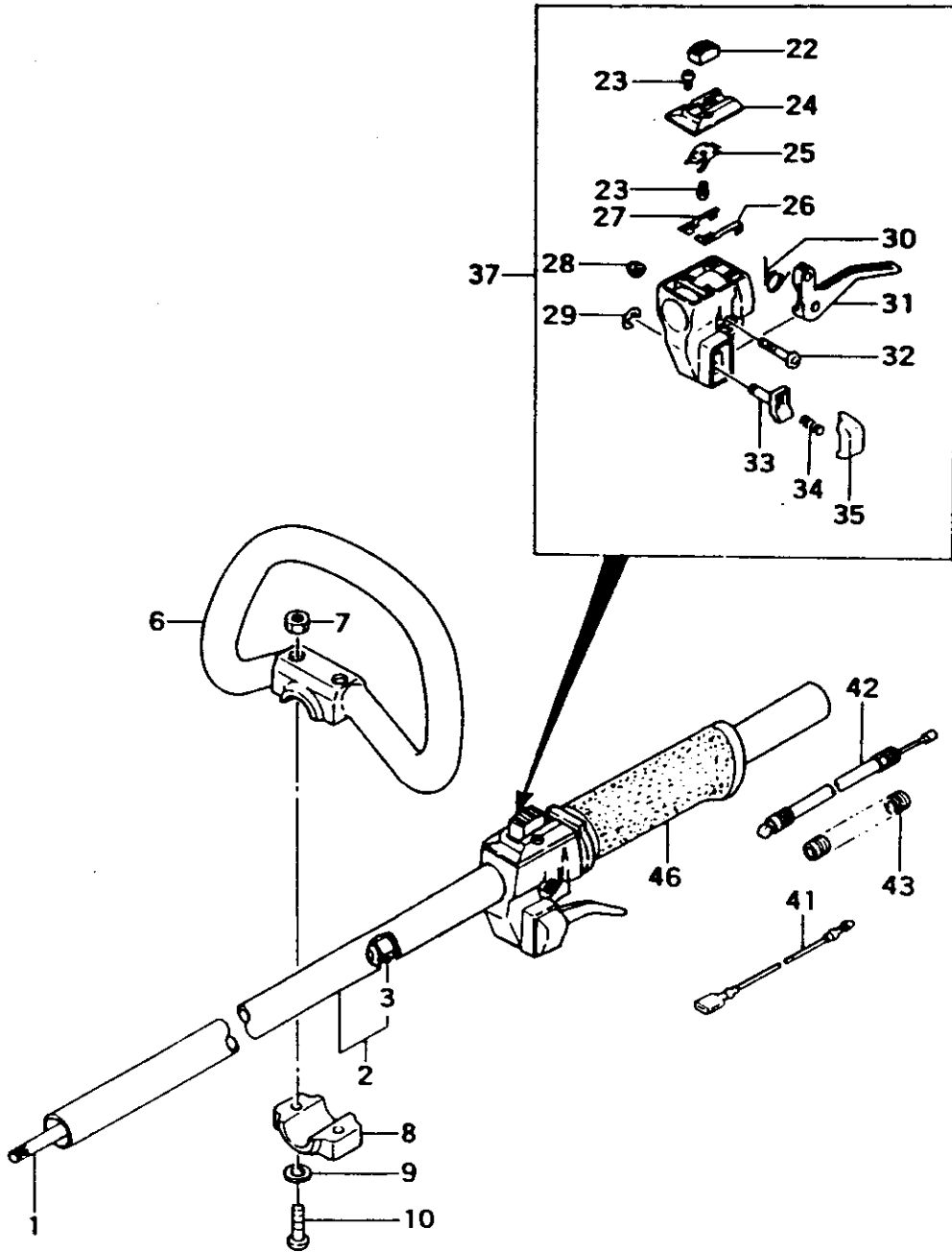


FIGURE 6

TBC-220SS PARTS LISTING

REF.	PART NO.	PART DESCRIPTION	Q	C	S	SERIAL NO.	REMARKS
1	343-37300-200	SHAFT,DRIVE	1		A		
2	341-37601-81	PIPE,DRIVE SHAFT	1		B		
3	347-37601-900	BUSHING,ASS'Y	5		C		
6	500-37300-200	HANDLE,D	1		C		
7	991-01060-041	NUT,6	2		D		
8	506-37300-200	BRACKET,HANDLE,A	1		C		
9	992-01060-061	WASHER,6	2		D		
10	990-23060-431	BOLT,P,6X43	2		C		
22	162-37101-200	SWITCH,STOP	1		C		
23	993-42030-081	SCREW, TAPPING, 3X8	3		D		
24	259-37101-200	BASE,STOP SWITCH	1		C		
25	262-37101-200	SPRING,STOP SWITCH	1		D		
26	177-37101-200	TERMINAL,EARTH B	1		C		
27	176-37101-200	TERMINAL,EARTH A	1		D		
28	991-86050-000	NUT,LOCK,5	1		D		
29	993-55060-001	RING,STOP,6	1		D		
30	832-37101-200	SPRING,RETURN	1		C		
31	880-37101-200	LEVER,THROTTLE	1		B		
32	994-31050-251	SCREW,S.,5X25	1		C		
33	853-37101-200	SHAFT,LOCK BUTTON	1		D		
34	958-37101-200	SPRING,LOCK,BUTTON	1		D		
35	956-37101-200	BUTTON,LOCK	1		D		
37	870-37300-900	LEVER,THROTTLE ASS'Y	1		A		
41	178-37300-801	CORD,STOP 230mm	2		C		
42	885-0631A-802	WIRE,THROTTLE	1		A		
43	164-13014-010	TUBE,PROTECTION	1		D		
46	504-37300-200	GRIP,SHAFT	1		D		

* Indicates the part is included in a kit or assembly and is not available individually. Q=Quan. used
C=Interchangeability S=Stocking code: A-Fast moving B=Med. fast C=Med. move D=Slow move
E=N.L.A. F=Superseded or replaced by a new part

FIG.7 GEAR CASE

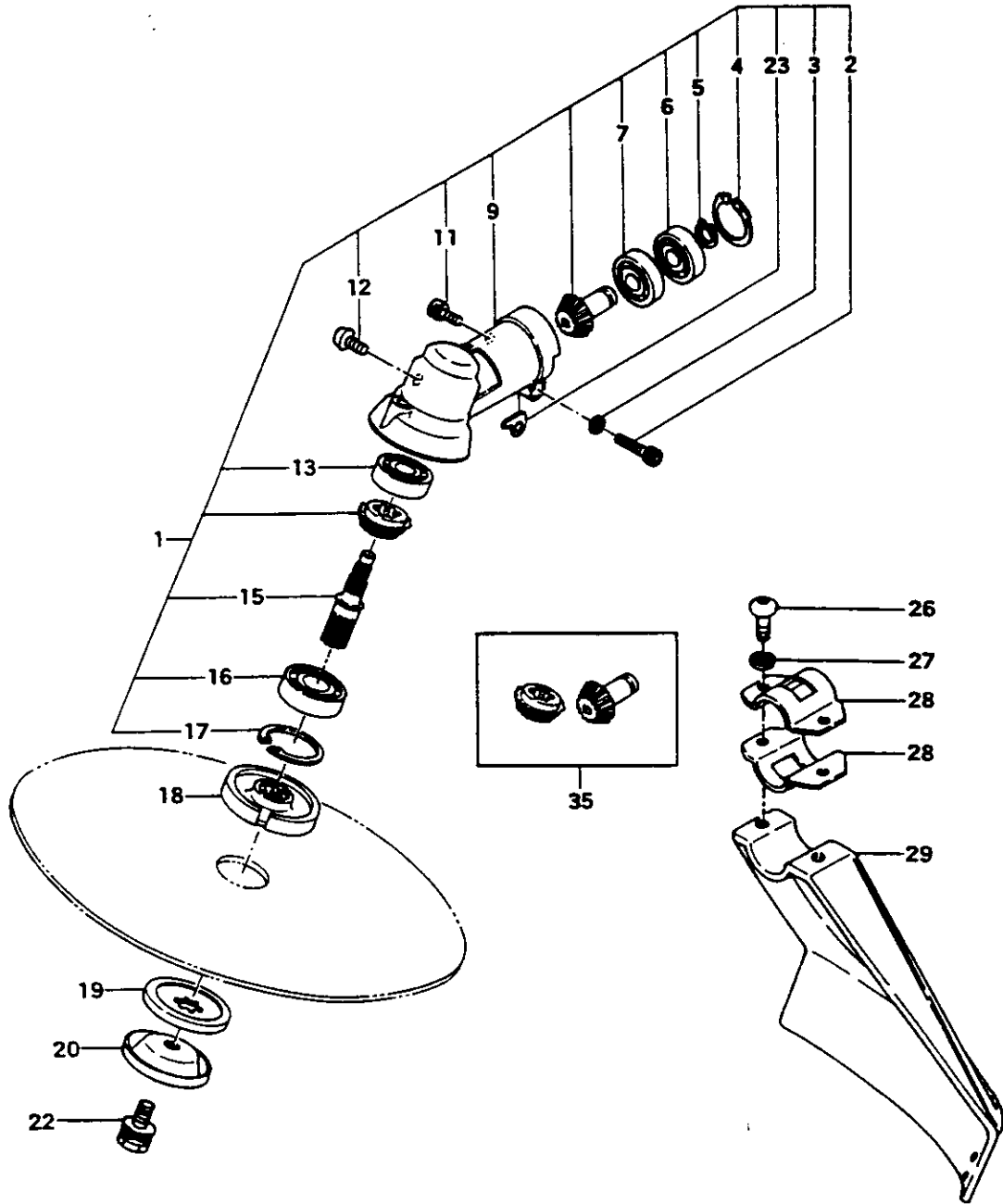


FIGURE 7

TBC-220SS PARTS LISTING

REF.	PART NO.	PART DESCRIPTION	Q	C	S	SERIAL NO.	REMARKS
1	300-37307-91	CASE,GEAR ASS'Y	1		C		
2	990-51050-253	BOLT,HEX,5X25	1		B		
3	992-10050-062	WASHER,S,5	1		D		
4	993-53022-002	RING,STOP,R22 IN	1		C		
5	993-50010-002	RING,STOP,C-10 EX	1		C		
6	999-61690-001	BEARING,BALL,#6900ZZ	1		B		
7	999-61690-000	BEARING,BALL,#6900	1		B		
9	300-37307-20	CASE,GEAR	1		D		
11	990-51050-103	BOLT,HEX.HOLE,5X10	1		C		
12	990-14080-104	SCREW,8X10	1		A		
13	999-61626-000	BEARING,BALL,#626	1		B		
15	304-37307-200	SHAFT,GEAR	1		C		
16	999-61600-104	BEARING,BALL,#6001DD	1		B		
17	993-51028-002	RING,STOP,IN,C-28	1		C		
18	310-37623-202	HOLDER,CUTTER	1		B		
19	311-37300-20	CAP,CUTTER HOLDER	1		A		
20	316-33410-200	PROTECTOR,BOLT	1		A		
22	312-37623-200	BOLT,FIXING,W/WASHERS	1		A		
23	324-37350-20	WASHER,GEAR CASE	1		D		
26	990-53060-153	BOLT,HEX,6X15	2		B		
27	992-10060-062	WASHER,S,6	2		A		
28	442-33905-201	BRACKET,SAFETY GUARD	2		B		
29	441-33905-800	GUARD,SAFETY	1		A		
35	301-37300-01	SET,GEAR/PINION	1		A		

* Indicates the part is included in a kit or assembly and is not available individually. Q=Quan. used
C=Interchangeability S=Stocking code: A-Fast moving B=Med. fast C=Med. move D=Slow move
E=N.L.A. F=Superseded or replaced by a new part

FIG.8 TOOLS & NYLON HEAD

