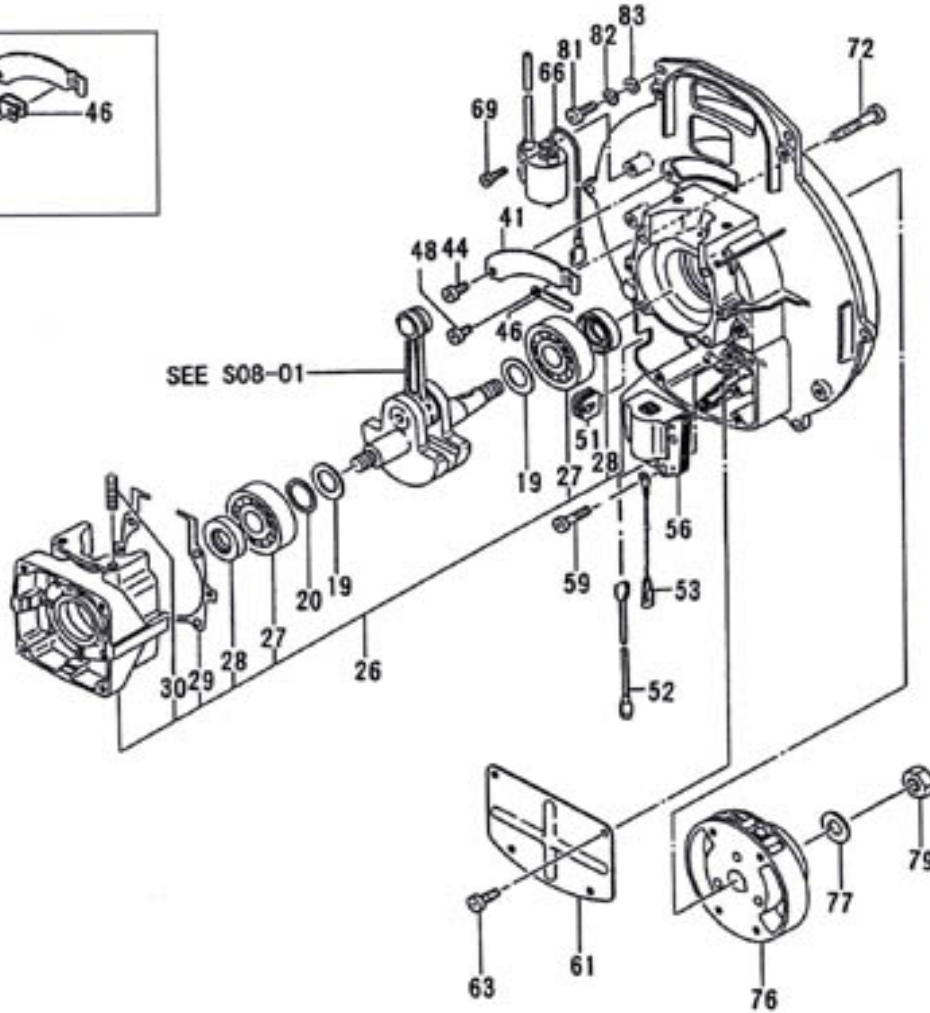
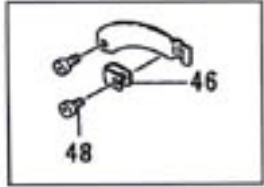


S08
02

TBL-4600,4600X CRANK CASE

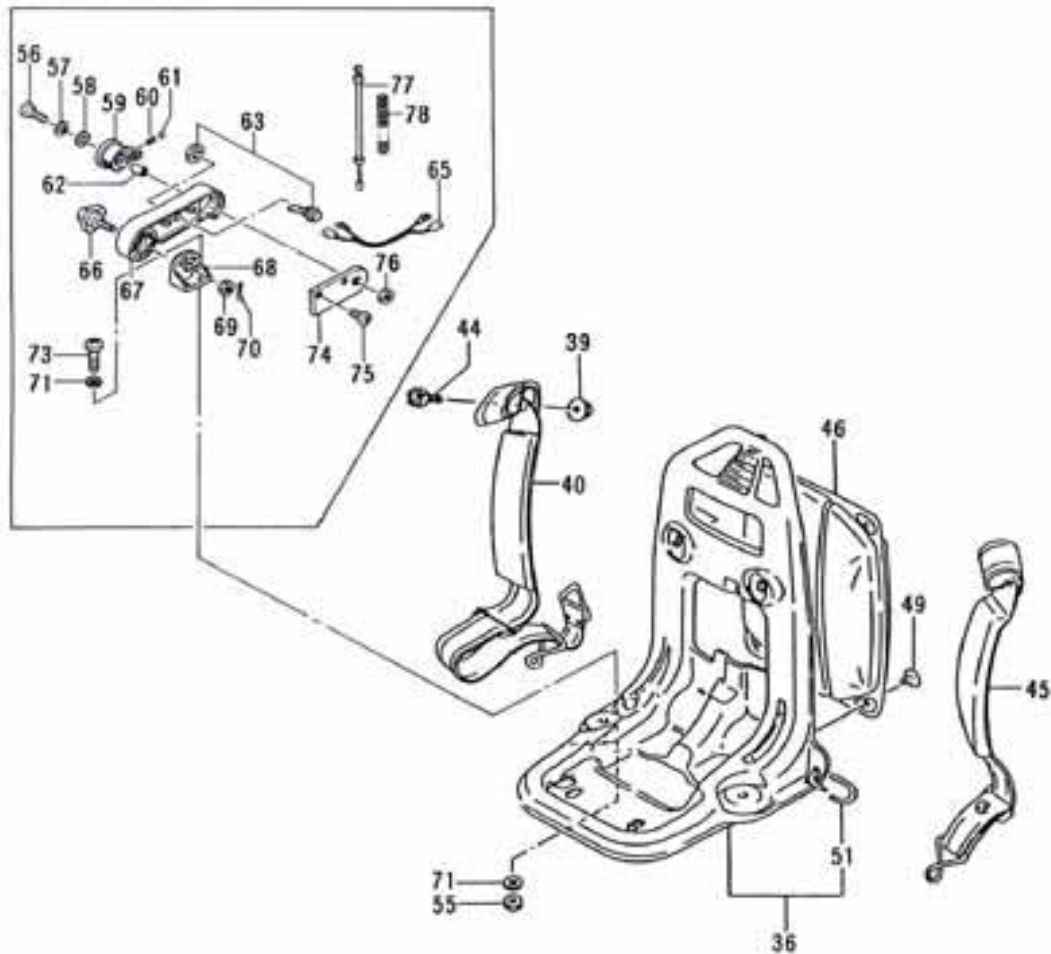


Parts List

Ref.	Part No.	Description	Q'ty	Serial No.
019	070-10700-20	CRANK SHAFT WASHER	2	
020	071-11109-20	CRANK SHAFT SHIM 0.05	V	
020	071-11109-21	CRANK SHAFT SHIM 0.10	V	
020	071-11109-22	CRANK SHAFT SHIM 0.15	V	
020	071-11109-23	CRANK SHAFT SHIM 0.20	V	
020	071-11109-24	CRANK SHAFT SHIM 0.30	V	
026	072-05031-90	CRANK CASE ASS'Y	1	
027	999-61630-301	BALL BEARING #6303ZZ, 47MM/OD	2	
028	999-66173-000	OIL SEAL 17307	2	
029	090-05004-21	CRANK CASE GASKET	1	
030	100-12000-20	STUD BOLT 6X26	4	
041	665-05004-20	CASE PLATE	1	
044	994-14050-101	SCREW 5X10/S	1	
046	198-05015-80	CORD CLAMP COMP.	1	
048	994-13050-101	SCREW 5X10/P	1	
051	203-0604A-20	GROMMET	1	
052	178-0616M-80	STOP CORD, B230M	1	S106101 -
053	274-05029-80	CORD B 230M	1	S106101 -
056	162-21519-80	EXCITER COMP.	1	
059	994-16050-221	SCREW 5X22/WS	2	
061	195-05015-20	COIL COVER	1	
063	994-14050-101	SCREW 5X10/S	4	
066	167-21519-80	IGNITION COIL COMP.	1	
069	994-14050-571	SCREW 5X57/S	2	
072	994-14060-351	SCREW 6X35/S	4	
076	155-21526-80	MAGNETO ROTOR COMP.	1	
077	992-00100-011	SMALL WASHER 10	1	
079	991-11100-011	NUT 10	1	
081	990-11050-151	SCREW 5X15	6	
082	992-10050-012	S.WASHER 5	6	
083	992-00050-011	SMALL WASHER 5	6	

S08
08

TBL-4600,4600X FRAME



Parts List

Ref.	Part No.	Description	Q'ty	Serial No.
036	020-31313-80	FRAME COMP., BLACK	1	
039	029-31313-20	SEPCIAL NUT 6	2	
040	019-31313-80	SHOULDER BELT COMP., LEFT	1	- T038398
040	019-31322-80	SHOULDER BELT COMP.	1	T038399 -
044	990-14060-161	TRUSS SCREW 6X16	2	
045	022-31313-80	SHOULDER BELT COMP.,RIGHT	1	- T038398
045	019-31319-80	SHOULDER BELT COMP. A	1	T038399 -
046	021-31318-80	CUSHION PAD	1	
049	046-31316-20	FASTENER	4	
051	045-31313-20	HOLDING RING	2	
055	991-78060-010	NYLON LOCK NUT 6	2	- S106100
056	990-11060-251	SCREW 6X25	1	- S106100
057	992-10060-012	S.WASHER 6	1	- S106100
058	992-00060-011	SMALL WASHER 6	1	- S106100
059	263-31310-20	THROTTLE LEVER	1	- S106100
060	333-31310-20	THROTTLE LEVER SPRING	1	- S106100
061	334-31310-20	STEEL BALL	1	- S106100
062	256-31310-20	COLLAR	1	- S106100
063	162-01300-90	STOP SWITCH ASS'Y	1	- S106100
065	178-05015-80	STOP CORD COMP.	1	- S106100
066	335-31313-80	KNOB	1	- S106100
067	250-31310-20	THROTTLE LEVER ARM	1	- S106100
068	040-31313-20	THROTTLE LEVER BRACKET, BLACK	1	- S106100
069	991-78080-010	NYLON LOCK NUT 8	1	- S106100
070	992-90200-150	SPLIT PIN 2X15	1	- S106100
071	992-01060-011	WASHER 6	4	- S106100
073	990-11060-201	SCREW 6X20	2	- S106100
074	247-31310-20	THROTTLE LEVER ARM COVER	1	- S106100
075	993-11041-012	TAPPING SCREW 4X10	2	- S106100
076	991-01060-011	NUT 6	1	- S106100
077	885-05024-80	THROTTLE WIRE COMP.	1	- S106100
078	164-10020-00	SPLIT PROTECTION TUBE 10X200L	1	- S106100

