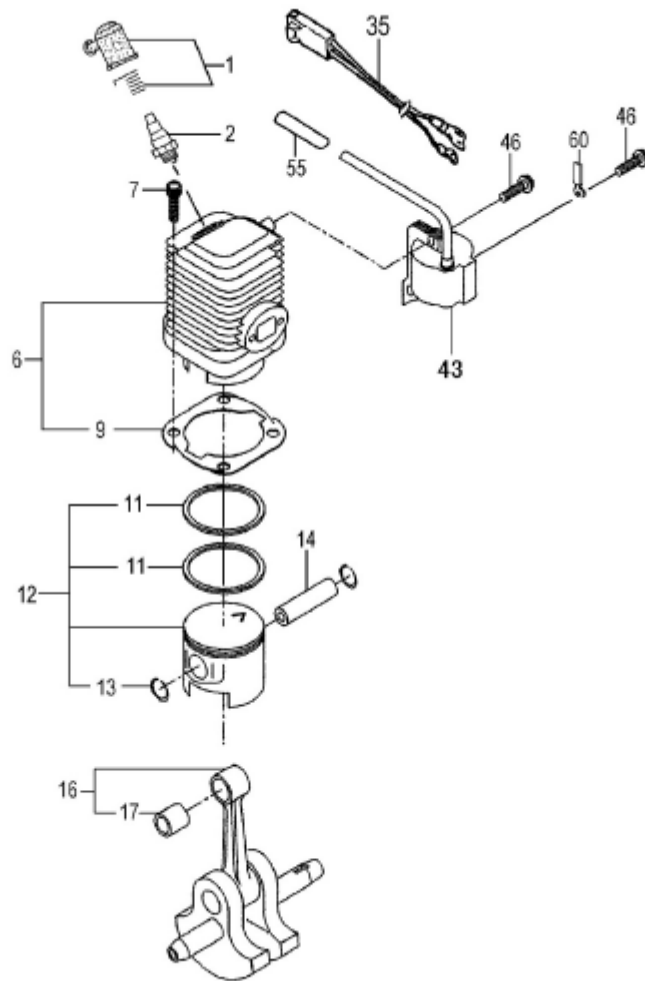


Tanaka TPH 2501

H3101



Hedge Trimmers

TPH-2501

CYLINDER

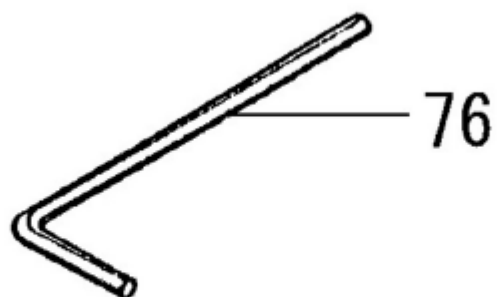
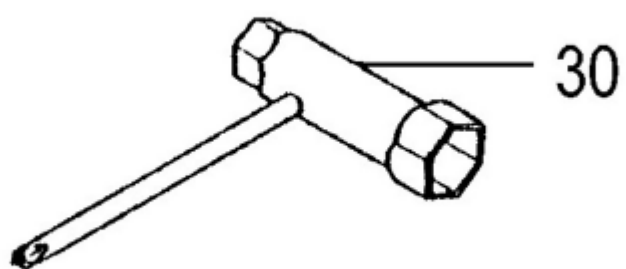
PISTON

CRANK SHAFT

H3101

| REF.No. | PARTS No. | DESCRIPTION | Q'ty | SERIAL No. |
|---------|---------------|----------------------|------|------------|
| 001 | 157-01570-90 | SPARK PLUG CAP ASS'Y | 1 | |
| 002 | 018-00546-21 | SPARK PLUG BMR6A | 1 | |
| 006 | 001-07060-90 | CYLINDER SET | 1 | |
| 007 | 994-64050-204 | SCREW 5X20/WS | 2 | |
| 009 | 017-07060-20 | CYLINDER GASKET | 1 | |
| 011 | 041-07060-20 | PISTON RING | 2 | |
| 012 | 030-07065-90 | PISTON SET | 1 | |
| 013 | 039-07060-20 | PISTON PIN CIRCLIP | 2 | |
| 014 | 037-07065-20 | PISTON PIN | 1 | |
| 016 | 046-07060-90 | CRANK SHAFT ASS'Y | 1 | |
| 017 | 089-07060-80 | NEEDLE BEARING | 1 | |
| 035 | 191-07060-90 | LEAD WIRE ASS'Y | 1 | |
| 043 | 167-07060-80 | IGNITION COIL COMP. | 1 | |
| 046 | 994-16040-201 | PLUS SCREW 4X20 WS | 2 | |
| 055 | 250-07060-20 | INSULATOR TUBE | 1 | |
| 060 | 198-07060-20 | CORD CLAMP COMP. | 1 | |

H3112



Hedge Trimmers

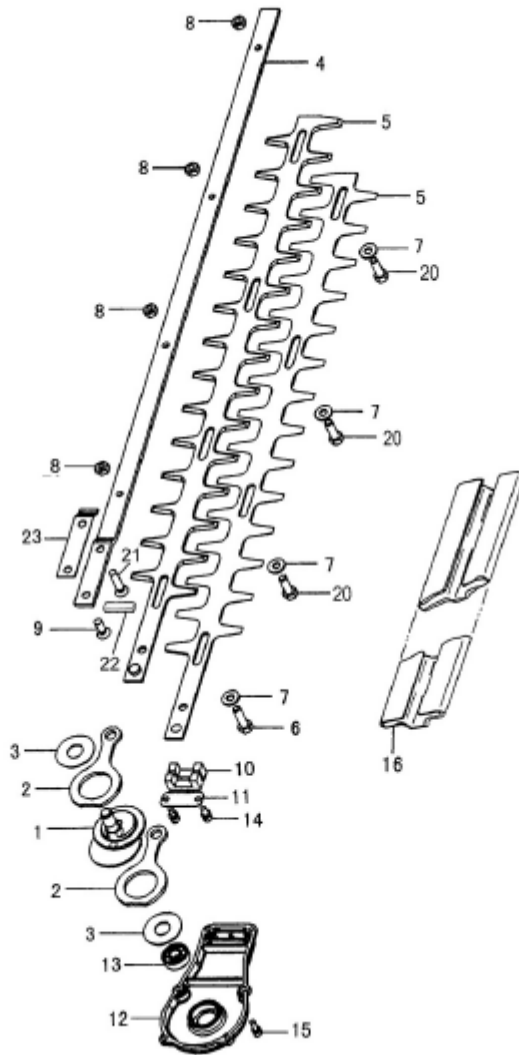
TPH-2501

TOOLS

H3112

| REF.No. | PARTS No. | DESCRIPTION | Q'ty | SERIAL No. |
|---------|--------------|--------------------|------|------------|
| 030 | 813-20000-20 | HEX. WRENCH 4 | 1 | |
| 075 | 036-29331-50 | COMBI. BOX SPANNER | 1 | |

H3111



Hedge Trimmers

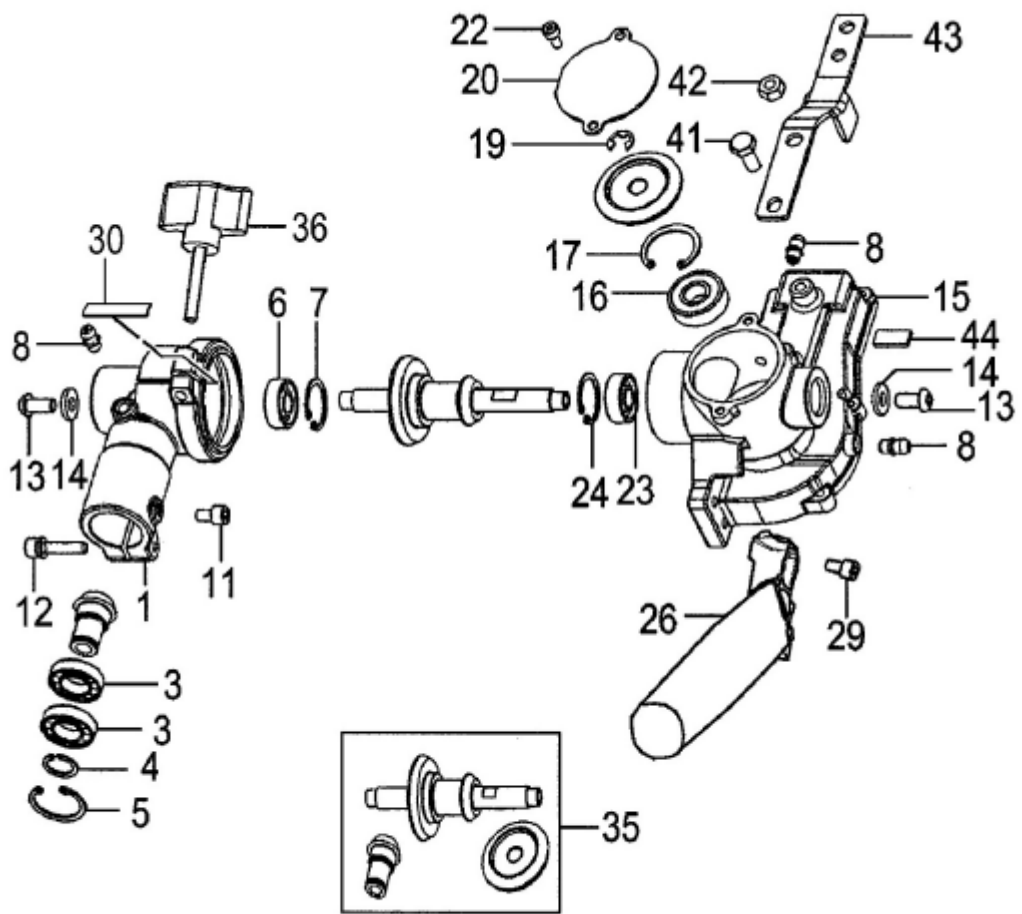
TPH-2501

BLADE

H3111

| REF.No. | PARTS No. | DESCRIPTION | Q'ty | SERIAL No. |
|---------|---------------|-----------------------|------|------------|
| 001 | 100-32282-80 | GEAR SHAFT COMP. | 1 | |
| 002 | 101-33160-22 | CAM ROD | 2 | |
| 003 | 075-32280-20 | CAM-ROD GUIDE PLATE | 2 | |
| 004 | 122-33160-21 | CUTTER GUIDE, 625MM | 1 | -Z063800 |
| 004 | 122-32286-21 | CUTTER GUIDE 625.5MM | 1 | Z063801- |
| 005 | 120-32287-21 | CUTTER A | 2 | |
| 006 | 124-33202-21 | CUTTER FIXING BOLT A | 4 | -Z063800 |
| 006 | 124-32287-20 | CUTTER FIXING BOLT A | 1 | Z063801- |
| 007 | 129-33202-20 | WASHER 7 BLACK | 4 | |
| 008 | 123-33202-20 | CUTTER FIXING NUT | 4 | -Z063800 |
| 008 | 991-82060-001 | FLANGE NUT 6 | 4 | Z063801- |
| 009 | 990-52060-165 | HEX HOLE FLUSH SCREW | 2 | -Z063800 |
| 009 | 990-52060-165 | HEX HOLE FLUSH SCREW | 1 | Z063801- |
| 010 | 085-33160-20 | GREASE SEAL A | 2 | -Z063800 |
| 010 | 085-32286-20 | GREASE SEAL A | 2 | Z063801- |
| 011 | 105-32280-20 | CAM-ROD HOLDING PLATE | 1 | |
| 012 | 328-32280-22 | GEAR CASE COVER B | 1 | |
| 013 | 999-61608-013 | BALL BEARING 608 ZZ C | 1 | |
| 014 | 994-61040-104 | HEX. HOLE BOLT 4X10S | 2 | |
| 015 | 994-61040-124 | HEX. HOLE BOLT 4X12S | 6 | |
| 016 | 138-33160-20 | CUTTER COVER | 1 | -Z063800 |
| 016 | 138-33168-20 | CUTTER COVER | 1 | Z063801- |
| 020 | 125-32287-20 | CUTTER FIXING BOLT B | 3 | Z063801- |
| 021 | 990-52060-255 | HEX. HOLE FLUSH BOLT | 1 | Z063801- |
| 022 | 087-32286-20 | GREASE SEAL B | 1 | Z063801- |
| 023 | 296-32286-20 | SPACER | 1 | Z063801- |

H3110



Hedge Trimmers

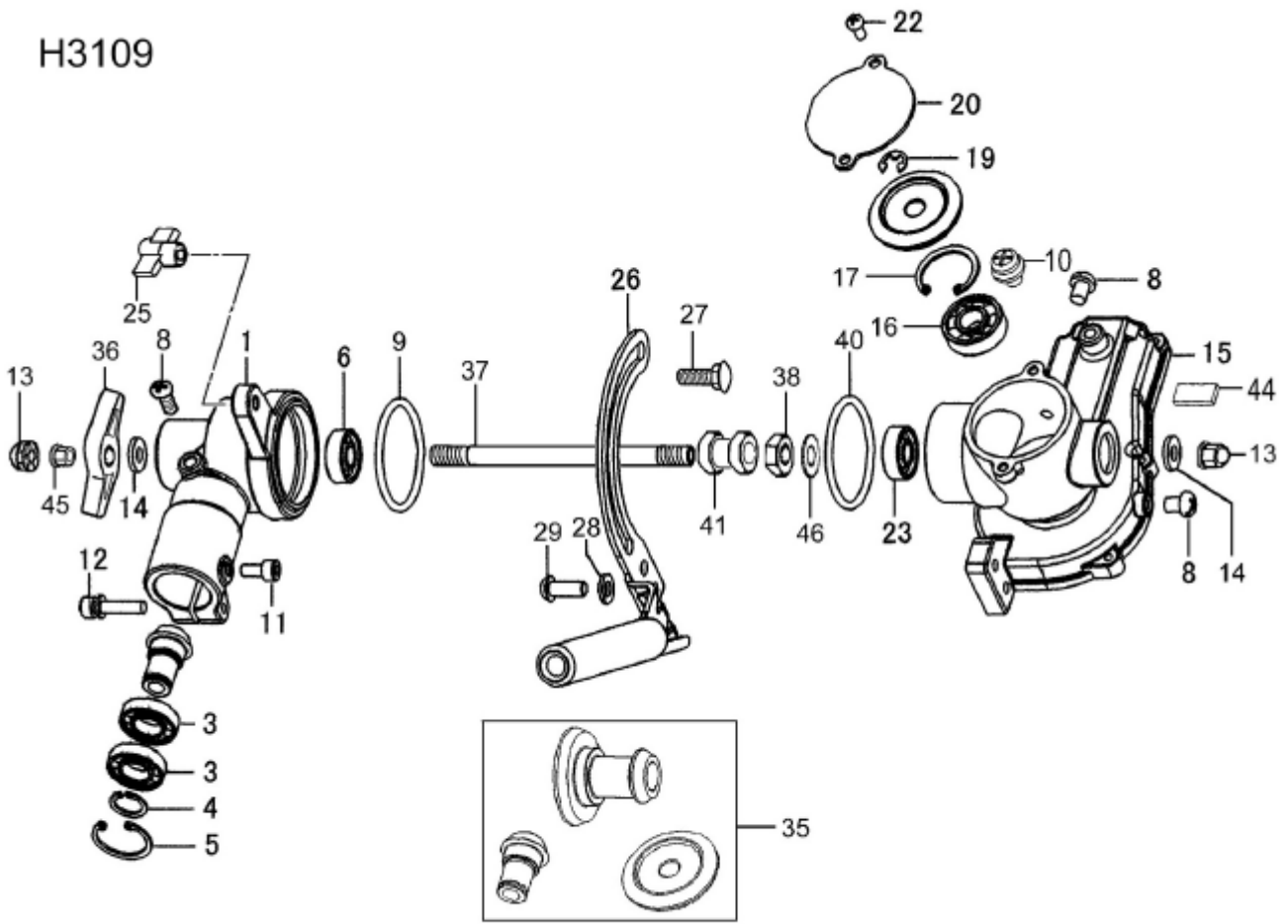
TPH-2501

GEAR CASE (SERIAL NO. Z063801-)

H3110

| REF.No. | PARTS No. | DESCRIPTION | Q'ty | SERIAL No. |
|---------|---------------|-----------------------|------|------------|
| 001 | 300-32287-21 | GEAR CASE A,24 DIA | 1 | |
| 003 | 999-61690-101 | BALL BEARING 6901ZZ, | 2 | |
| 004 | 993-52012-002 | STOP RING S-12,INNER | 1 | |
| 005 | 993-51024-002 | STOP RING C-24, INNER | 1 | |
| 006 | 999-61608-013 | BALL BEARING 608 ZZ C | 1 | |
| 007 | 993-51022-002 | STOP RING C-22, INNER | 1 | |
| 008 | 300-32250-80 | GREASE NIPPLE COMP. | 3 | |
| 011 | 990-51050-103 | HEX. HOLE BOLT 5X10 | 1 | |
| 012 | 994-61050-254 | HEX. HOLE BOLT 5X25/S | 1 | |
| 013 | 990-53060-125 | HEX. HOLE BOLT 6X12 | 2 | |
| 014 | 871-32600-20 | SPECIAL WASHER B | 2 | |
| 015 | 301-32286-20 | GEAR CASE B | 1 | |
| 016 | 999-61600-014 | BALL BEARING #6000 2F | 1 | |
| 017 | 993-51026-002 | STOP RING C-26, INNER | 1 | |
| 019 | 993-55060-000 | STOP RING E-6 | 1 | |
| 020 | 327-32280-20 | GEAR CASE COVER A | 1 | |
| 022 | 990-51040-085 | HEX HOLE BOLT 4X8 | 2 | |
| 023 | 999-61608-013 | BALL BEARING 608 ZZ C | 1 | |
| 024 | 993-51022-002 | STOP RING C-22, INNER | 1 | |
| 026 | 210-32286-20 | HANDLE | 1 | |
| 029 | 990-53060-153 | HEX HOLE BUTTON SCF | 2 | |
| 030 | 088-32287-20 | GREASE SEALD | 1 | |
| 035 | 302-32286-00 | GEAR SET PN | 1 | |
| 036 | 512-32286-80 | HANDLE KNOB A COMP | 1 | |
| 041 | 990-23060-141 | PLUS BOLT 6X14 | 1 | |
| 042 | 991-01060-041 | HEX. NUT 6 | 1 | |
| 043 | 462-32286-20 | SUPPORT PLATE | 1 | |
| 044 | 086-32286-20 | GREASE SEAL B | 1 | |

H3109



Hedge Trimmers

TPH-2501

GEAR CASE (SERIAL NO.-Z063800)

H3109

| REF.No. | PARTS No. | DESCRIPTION | Q'ty | SERIAL No. |
|---------|---------------|-----------------------|------|------------|
| 001 | 300-32291-20 | GEAR CASE A ,24 DIA. | 1 | |
| 003 | 999-61690-101 | BALL BEARING 6901ZZ, | 2 | |
| 004 | 993-52012-002 | STOP RING S-12,INNER | 1 | |
| 005 | 993-51024-002 | STOP RING C-24, INNER | 1 | |
| 006 | 999-61608-013 | BALL BEARING 608 ZZ C | 1 | |
| 008 | 994-31060-081 | SCREW 6X8 | 3 | |
| 009 | 999-67041-000 | O RING P-41 | 1 | |
| 010 | 994-13060-101 | SCREW 6X10P | 1 | |
| 011 | 990-51050-103 | HEX. HOLE BOLT 5X10 | 1 | |
| 012 | 994-61050-224 | HEX. HOLE BOLT 5X22/S | 1 | |
| 013 | 991-44080-022 | FLANGE BLIND NUT 8 | 2 | |
| 014 | 027-31800-20 | SPAECIAL WASHER | 2 | |
| 015 | 301-32286-20 | GEAR CASE B | 1 | |
| 016 | 999-61600-014 | BALL BEARING #6000 2F | 1 | |
| 017 | 993-51026-002 | STOP RING C-26, INNER | 1 | |
| 019 | 993-55060-000 | STOP RING E-6 | 1 | |
| 020 | 327-32280-20 | GEAR CASE COVER A | 1 | |
| 022 | 990-11040-081 | SCREW 4X8 | 2 | |
| 023 | 999-61608-013 | BALL BEARING 608 ZZ C | 1 | |
| 025 | 512-32285-80 | HANDLE KNOB A COMP | 1 | |
| 026 | 033-32280-81 | SLIDE GUIDE COMP.,W/ | 1 | |
| 027 | 196-32285-20 | SPECIAL BOLT | 1 | |
| 028 | 992-10060-062 | S.WASHER 6 | 2 | |
| 029 | 990-53060-153 | HEX HOLE BUTTON SCF | 2 | |
| 035 | 302-32282-00 | GEAR SET | 1 | |
| 036 | 512-32298-20 | HANDLE KNOB | 1 | |
| 037 | 305-32282-22 | GEAR SHAFT | 1 | |
| 038 | 381-32289-20 | SPECIAL NUT | 1 | |
| 040 | 071-32282-21 | SHIM | V | |
| 040 | 071-32282-22 | SHIM | V | |

Hedge Trimmers

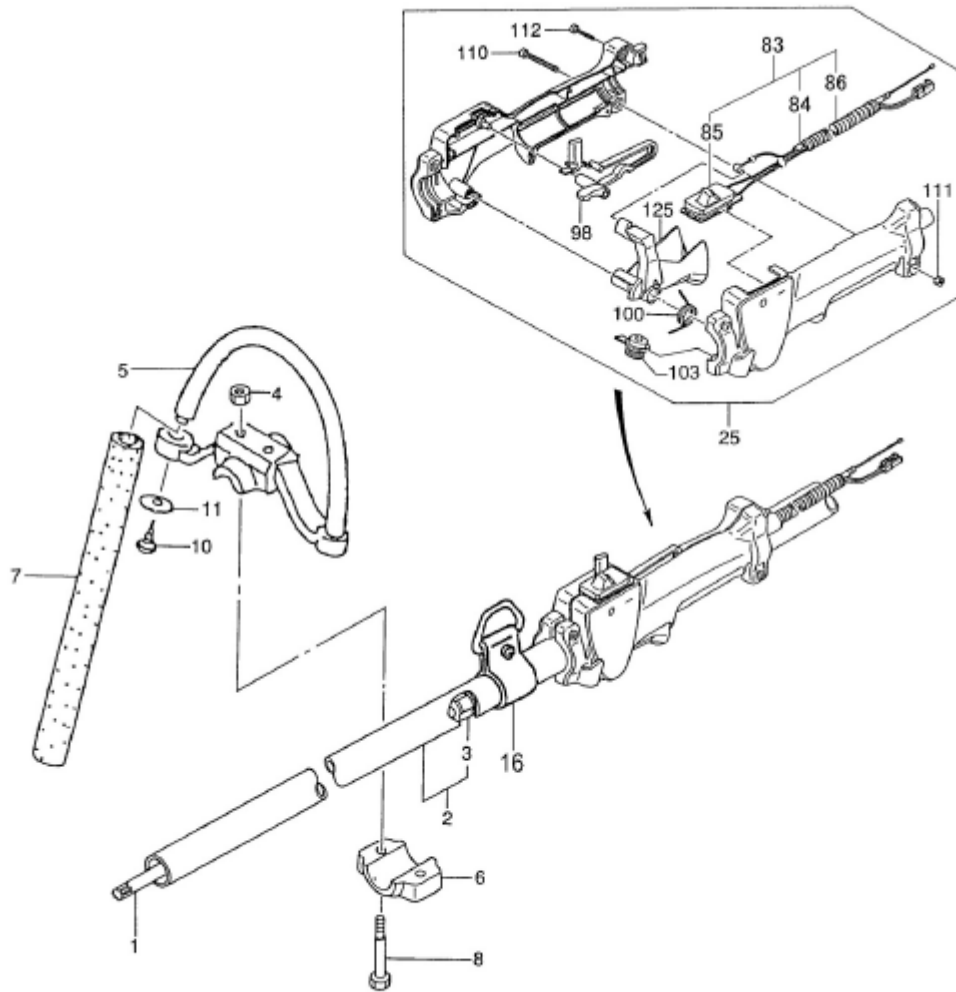
TPH-2501

GEAR CASE (SERIAL NO.-Z063800)

H3109

| REF.No. | PARTS No. | DESCRIPTION | Q'ty | SERIAL No. |
|---------|--------------|---------------------|------|------------|
| 040 | 071-32282-23 | SHIM | V | |
| 041 | 096-32289-20 | COLLOR 26.8 | 1 | |
| 044 | 086-32286-20 | GREASE SEAL B | 1 | |
| 045 | 121-32530-20 | CHAIN BAR CLAMP NUT | 1 | |
| 046 | 760-32282-20 | WASHER 1.6 W | 1 | |

H3108



Hedge Trimmers

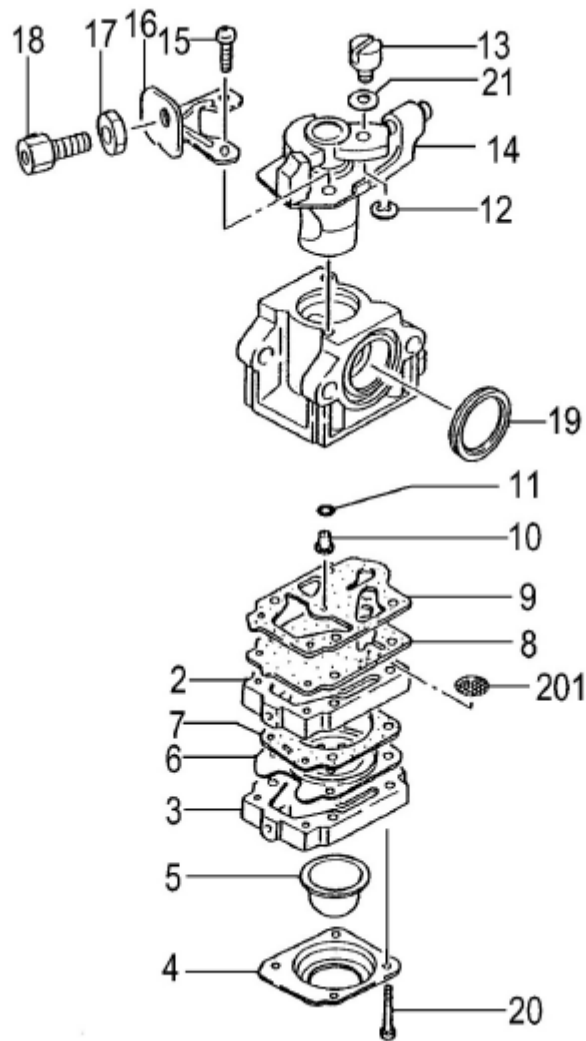
TPH-2501

HANDLE

H3108

| REF.No. | PARTS No. | DESCRIPTION | Q'ty | SERIAL No. |
|---------|---------------|------------------------|------|------------|
| 001 | 343-37618-20 | DRIVE SHAFT, 1483L | 1 | |
| 002 | 341-37623-81 | DRIVE SHAFT PIPE COM | 1 | |
| 003,1 | 347-37601-90 | BUSHING ASS'Y | 5 | |
| 004 | 991-01060-041 | HEX. NUT 6 | 2 | |
| 005 | 500-37286-20 | LOOP HANDLE, 24 DIA.,E | 1 | |
| 006 | 506-37300-20 | HANDLE BRACKET A | 1 | |
| 007 | 503-3738E-20 | HANDLE GRIP | 1 | |
| 008 | 994-23060-432 | BOLT 6X43/P | 2 | |
| 010 | 993-11052-012 | TAPPING SCREW 5X20 | 1 | |
| 011 | 368-32350-20 | BRAKE SHAFT WASHER | 1 | |
| 016 | 335-37526-90 | LIFTING METAL ASS'Y | 1 | |
| 025 | 870-38400-90 | THROTTLE LEVER ASS'Y | 1 | |
| 083 | 885-38400-80 | THROTTLE WIRE COMP | 1 | |
| 084 | 887-38400-80 | THROTTLE WIRE | 1 | |
| 085 | 156-38400-80 | STOP SWITCH COMP. | 1 | |
| 086 | 164-07017-50 | PROTECTION TUBE 7X1 | 1 | |
| 098 | 253-38400-20 | SAFETY LEVER | 1 | |
| 100 | 832-38400-20 | RETURN SPRING | 1 | |
| 103 | 881-38400-80 | THROTTLE STOPPER C | 1 | |
| 110 | 994-31050-203 | SCREW 5X20 | 2 | |
| 111 | 991-01050-043 | CONTAL NUT 5 | 2 | |
| 112 | 993-46040-202 | SCREW 4X20, BLACK | 4 | |
| 125 | 880-38400-20 | THROTTLE LEVER | 1 | |

H3107



Hedge Trimmers

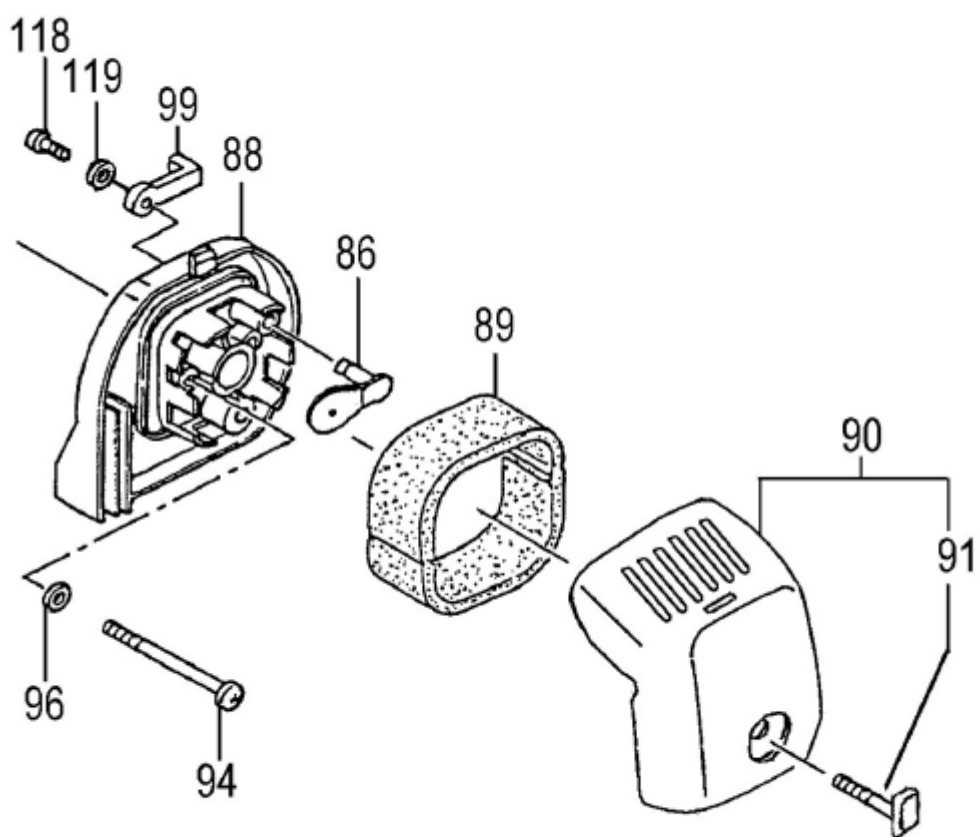
TPH-2501

CARBURETOR

H3107

| REF.No. | PARTS No. | DESCRIPTION | Q'ty | SERIAL No. |
|---------|--------------|---------------------|------|------------|
| 002 | 575-25153-80 | PUMP BODY COMP | 1 | |
| 003 | 442-25151-80 | PRIMING PUMP COMP. | 1 | |
| 004 | 476-25151-20 | DIAPHRAGM COVER | 1 | |
| 005 | 447-25108-20 | PRIMING BODY | 1 | |
| 006 | 474-25241-80 | METERING DIAPHRAGM | 1 | |
| 007 | 475-25153-20 | DIAPHRAGM GASKET | 1 | |
| 008 | 576-25100-20 | PUMP DIAPHRAGM | 1 | |
| 009 | 577-25100-20 | PUMP GASKET | 1 | |
| 010 | 599-2000W-43 | MAIN JET #43 | 1 | |
| 011 | 550-25100-20 | O-RING | 1 | |
| 012 | 489-25100-20 | STOP RING | 1 | |
| 013 | 539-25120-20 | SWIVEL | 1 | |
| 014 | 488-25170-80 | THROTTLE VALVE COM | 1 | |
| 015 | 514-25100-20 | THROTTLE SET SCREW | 2 | |
| 016 | 544-25164-20 | CABLE ADJUSTER STAY | 1 | |
| 017 | 613-25100-20 | CABLE ADJUST NUT | 1 | |
| 018 | 614-25137-20 | CABLE ADJUSTER | 1 | |
| 019 | 431-0634C-20 | CLEANER PACKING | 1 | |
| 020 | 548-25151-20 | SET SCREW | 4 | |
| 021 | 549-25165-20 | THRUST WASHER | 1 | |
| 201 | 578-25007-20 | INLET SCREEN | 1 | |

H3106



Hedge Trimmers

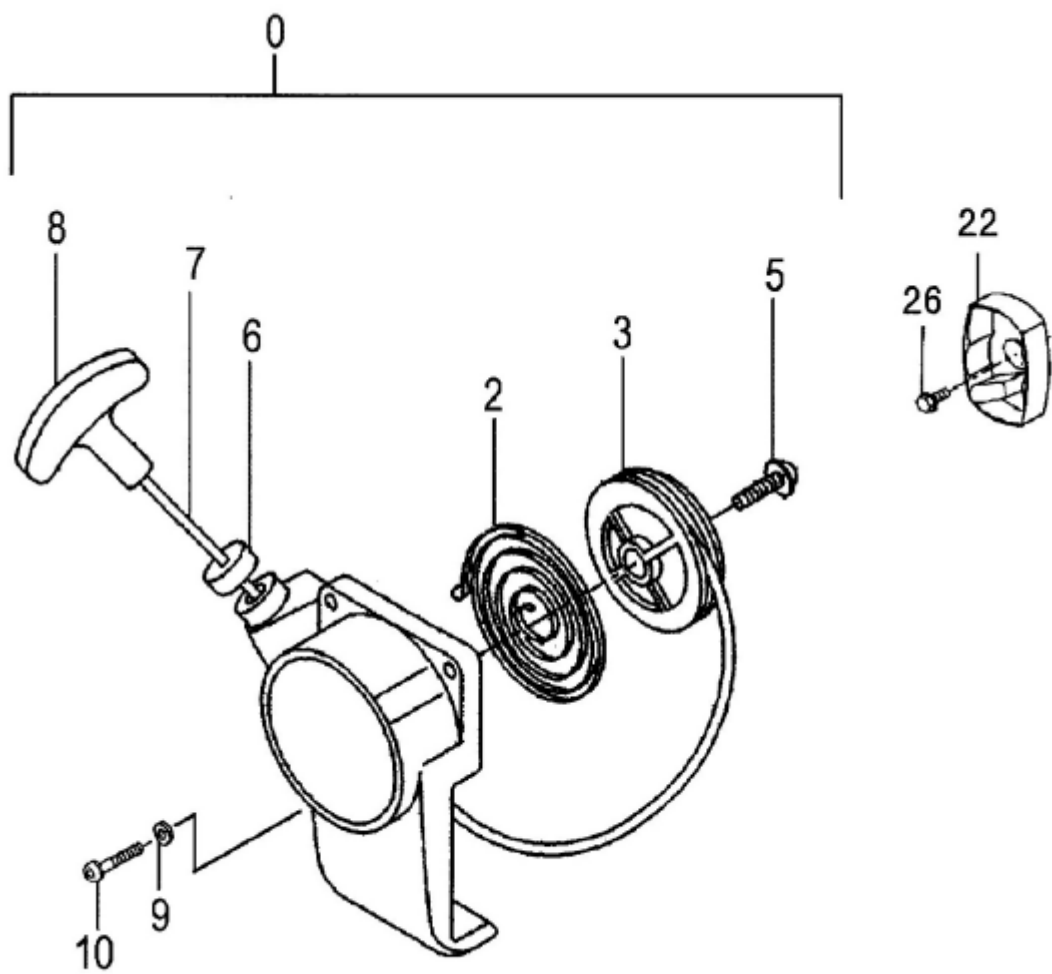
TPH-2501

AIR CLEANER

H3106

| REF.No. | PARTS No. | DESCRIPTION | Q'ty | SERIAL No. |
|---------|---------------|---------------------|------|------------|
| 086 | 528-0652N-22 | CHOKE VALVE 2.0 | 1 | |
| 088 | 423-0652N-80 | CLEANER BODY COMP. | 1 | |
| 089 | 446-0652N-20 | CLEANER SPONGE | 1 | |
| 090 | 452-07060-90 | CLEANER COVER ASS'Y | 1 | |
| 091 | 450-07024-80 | COVER FIXING BOLT | 1 | |
| 094 | 994-14050-571 | SCREW 5X57/S | 2 | |
| 096 | 992-00050-011 | SMALL WASHER 5 | 2 | |
| 099 | 523-0652N-20 | CHOKE CONTROL LEVER | 1 | |
| 118 | 990-75040-154 | TAPPING SCREW 4X15 | 1 | |
| 119 | 992-01040-011 | WASHER 4 | 1 | |

H3105



Hedge Trimmers

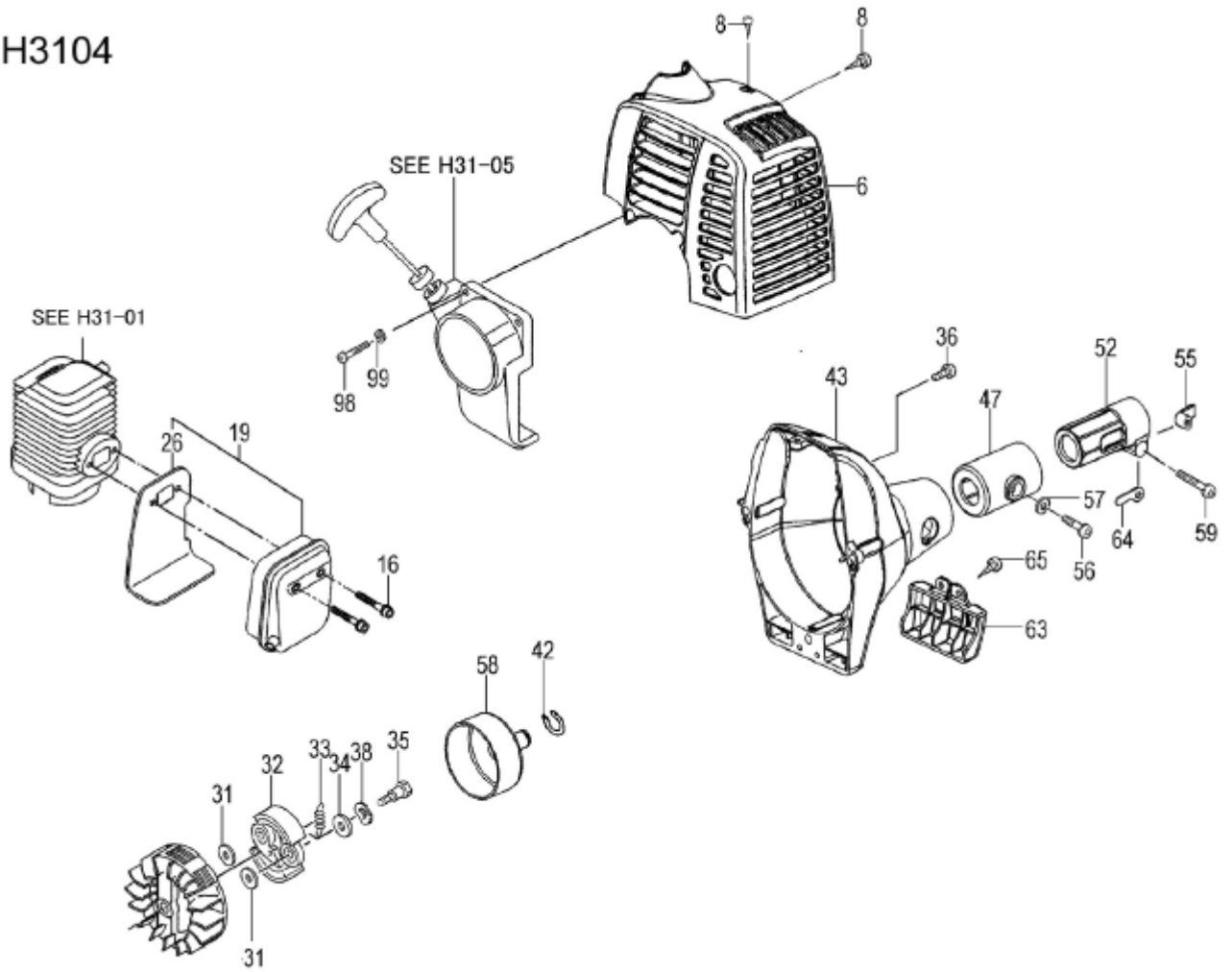
TPH-2501

RECOIL STARTER

H3105

| REF.No. | PARTS No. | DESCRIPTION | Q'ty | SERIAL No. |
|---------|---------------|-----------------------|------|------------|
| 000 | 762-07060-90 | RECOIL STARTER BODY | 1 | |
| 002 | 779-07060-20 | RECOIL SPRING | 1 | |
| 003 | 774-07060-20 | STARTER PULLEY | 1 | |
| 005 | 839-07060-20 | SET BOLT | 1 | |
| 006 | 780-07060-20 | ROPE GUIDE | 1 | |
| 007 | 783-07060-20 | STARTER ROPE | 1 | |
| 008 | 785-07060-20 | STARTER HANDLE | 1 | |
| 009 | 992-00050-061 | SMALL WASHER 5 | 2 | |
| 010 | 994-61050-204 | HEX. HOLE BOLT 5X20/S | 2 | |
| 022 | 798-07060-90 | STARTER PULLEY ASS'Y | 1 | |
| 026 | 380-07060-80 | SPECIAL BOLT M6 | 1 | |

H3104



Hedge Trimmers

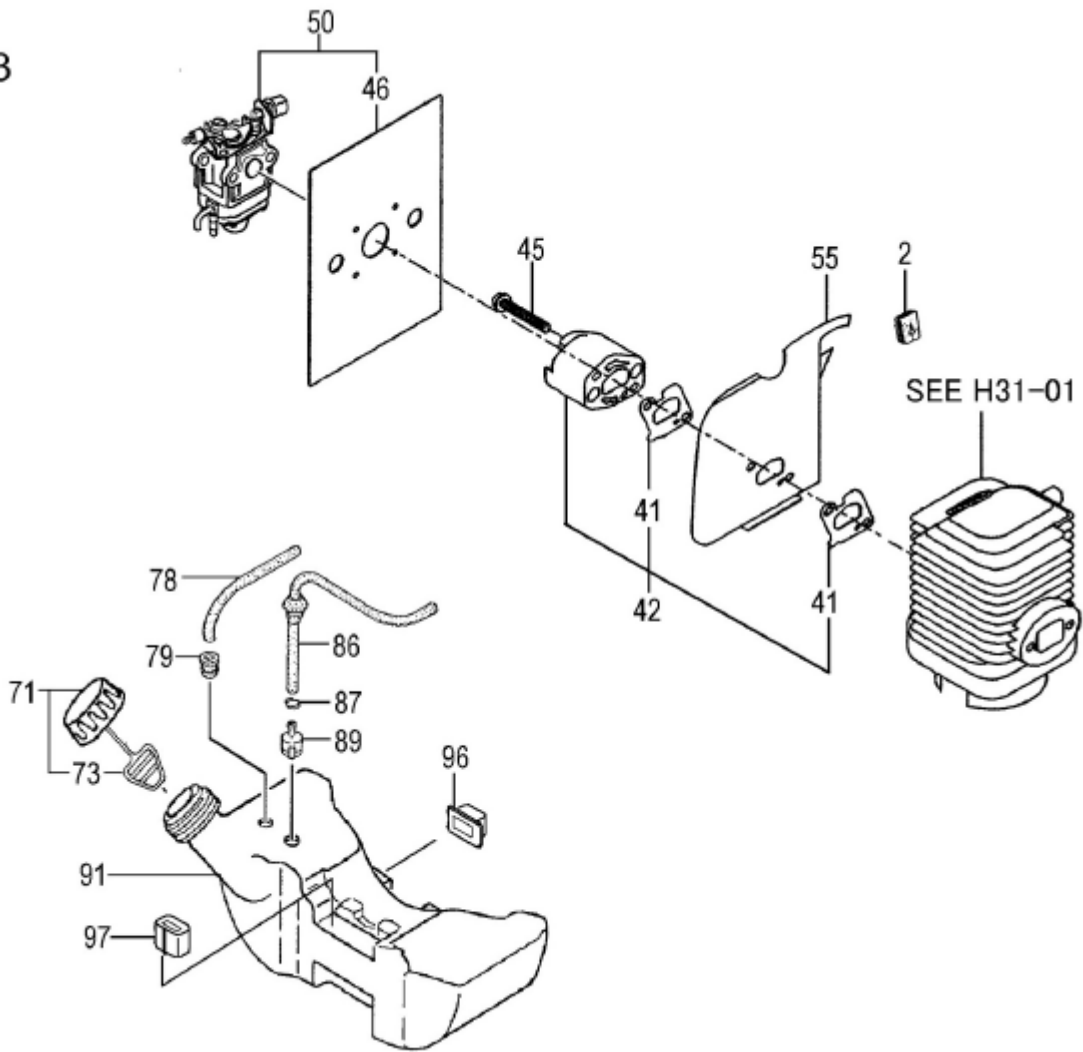
TPH-2501

ENGINE-2

H3104

| REF.No. | PARTS No. | DESCRIPTION | Q'ty | SERIAL No. |
|---------|---------------|-----------------------|------|------------|
| 006 | 738-07060-20 | MUFFLER PROTECTOR | 1 | |
| 008 | 990-73045-104 | TAPPING SCREW 4.5X16 | 3 | |
| 016 | 994-60050-454 | SCREW 5X45W | 2 | |
| 019 | 704-07060-90 | MUFFLER SET, SPARE | 1 | |
| 026 | 133-07060-20 | HEAT SHIELD | 1 | |
| 031 | 359-02103-20 | CLUTCH WASHER B | 2 | |
| 032 | 290-01620-80 | CLUTCH SHOE COMP. | 2 | |
| 033 | 342-0630B-20 | CLUTCH SPRING | 1 | |
| 034 | 348-0602R-20 | CLUTCH PLATE A | 2 | |
| 035 | 357-0075T-20 | STEP BOLT | 2 | |
| 036 | 994-16050-162 | SCREW 5X16/WS | 3 | |
| 038 | 992-05080-030 | BENT WASHER 8 | 2 | |
| 042 | 993-50012-002 | STOP RING C-12, OUTF | 1 | |
| 043 | 112-07060-81 | FAN CASE COMP. | 1 | |
| 047 | 599-00980-21 | CUSHION RUBBER | 1 | |
| 052 | 360-00990-20 | PIPE HOLDER, 24 DIA. | 1 | |
| 055 | 361-00990-20 | METAL FITTING | 1 | |
| 056 | 990-51050-163 | HEX. HOLE BOLT 5X16 | 1 | |
| 057 | 992-01050-061 | WASHER 5 | 1 | |
| 058 | 289-07060-80 | CLUTCH SHAFT COMP. | 1 | |
| 059 | 994-61050-254 | HEX. HOLE BOLT 5X25/S | 1 | |
| 063 | 941-07060-20 | STAND, BLACK | 1 | |
| 064 | 324-37350-20 | GEAR CASE WASHER | 1 | |
| 065 | 990-73045-124 | TAPPING SCREW 4.5X16 | 2 | |
| 098 | 994-61050-204 | HEX. HOLE BOLT 5X20/S | 2 | |
| 099 | 992-00050-061 | SMALL WASHER 5 | 2 | |

H3103



Hedge Trimmers

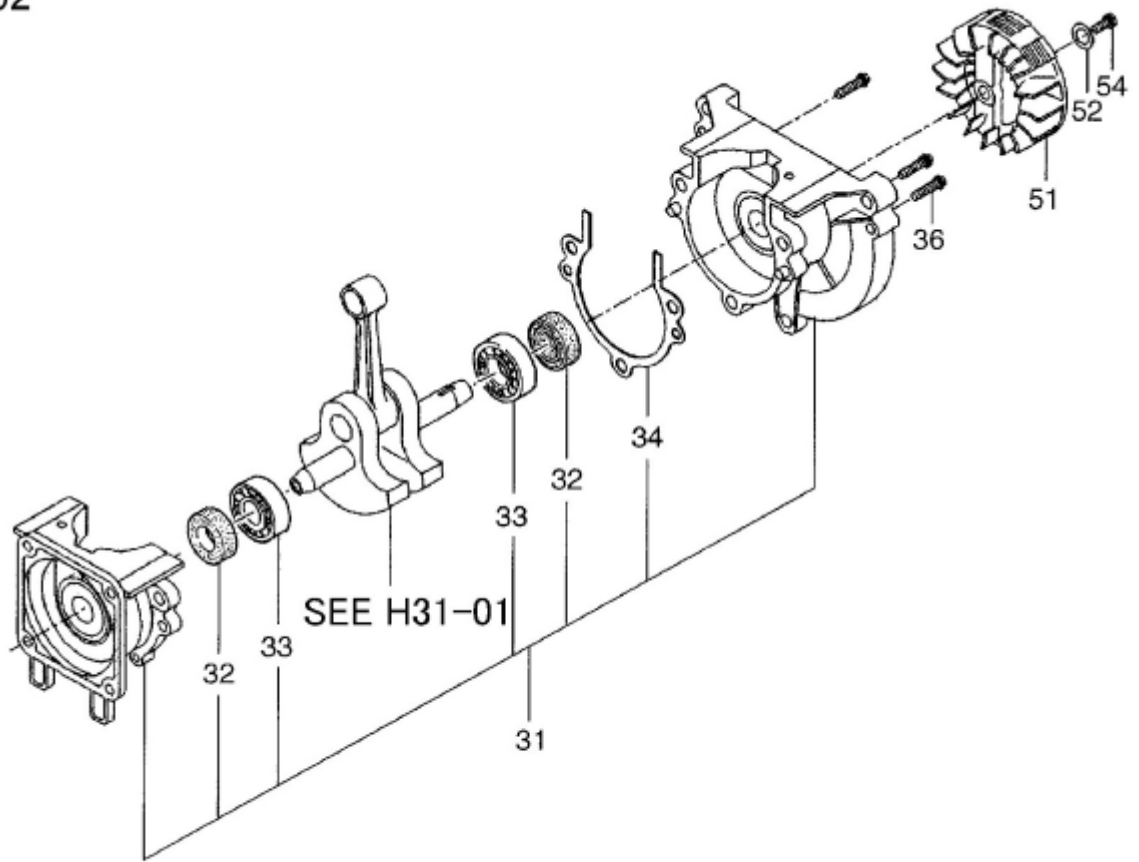
TPH-2501

ENGINE-1

H3103

| REF.No. | PARTS No. | DESCRIPTION | Q'ty | SERIAL No. |
|---------|---------------|----------------------|------|------------|
| 002 | 203-07060-20 | GROMMET | 1 | |
| 041 | 403-07060-20 | INTAKE MANIFOLD GAS | 2 | |
| 042 | 404-07060-90 | CARB.INSULATOR SET, | 1 | |
| 045 | 994-16050-251 | SCREW 5X25/WS | 2 | |
| 046 | 402-07060-20 | CARBURETOR GASKET | 1 | |
| 050 | 455-07065-90 | CARBURETOR SET WY. | 1 | |
| 055 | 132-07060-20 | FLASH PAN | 1 | |
| 071 | 595-01690-90 | TANK CAP ASS'Y (BLAC | 1 | |
| 073 | 626-32550-20 | TANK CAP CHAIN | 1 | |
| 078 | 700-03005-07 | FUEL PIPE 3X5X70 | 1 | |
| 079 | 534-32710-20 | RETURN GROMMET | 1 | |
| 086 | 223-0162V-90 | FUEL PIPE ASS'Y | 1 | |
| 087 | 680-00731-20 | CLIP, 6.3 DIA. | 1 | |
| 089 | 675-04042-80 | PUMP FILTER BODY CO | 1 | |
| 091 | 591-07060-80 | FUEL TANK COMP. | 1 | |
| 096 | 655-00940-20 | FUEL TANK CUSHION R | 2 | |
| 097 | 601-07060-20 | TANK HOLDING RUBBEI | 2 | |

H3102



Hedge Trimmers

TPH-2501

CRANK CASE

H3102

| REF.No. | PARTS No. | DESCRIPTION | Q'ty | SERIAL No. |
|---------|---------------|------------------------|------|------------|
| 031 | 072-07060-90 | CRANK CASE ASS'Y | 1 | |
| 032 | 999-61600-100 | BALL BEARING #6001, 28 | 2 | |
| 033 | 999-66122-272 | OIL SEAL ISCD12224.5 | 2 | |
| 034 | 090-07060-20 | CRANK CASE GASKET | 1 | |
| 036 | 994-14050-251 | SCREW 5X25/S | 3 | |
| 051 | 155-07060-80 | MAGNETO ROTOR COM | 1 | |
| 052 | 182-07060-20 | SPECIAL WASHER M6 | 1 | |
| 054 | 994-21060-161 | BOLT 6X16S | 1 | |