

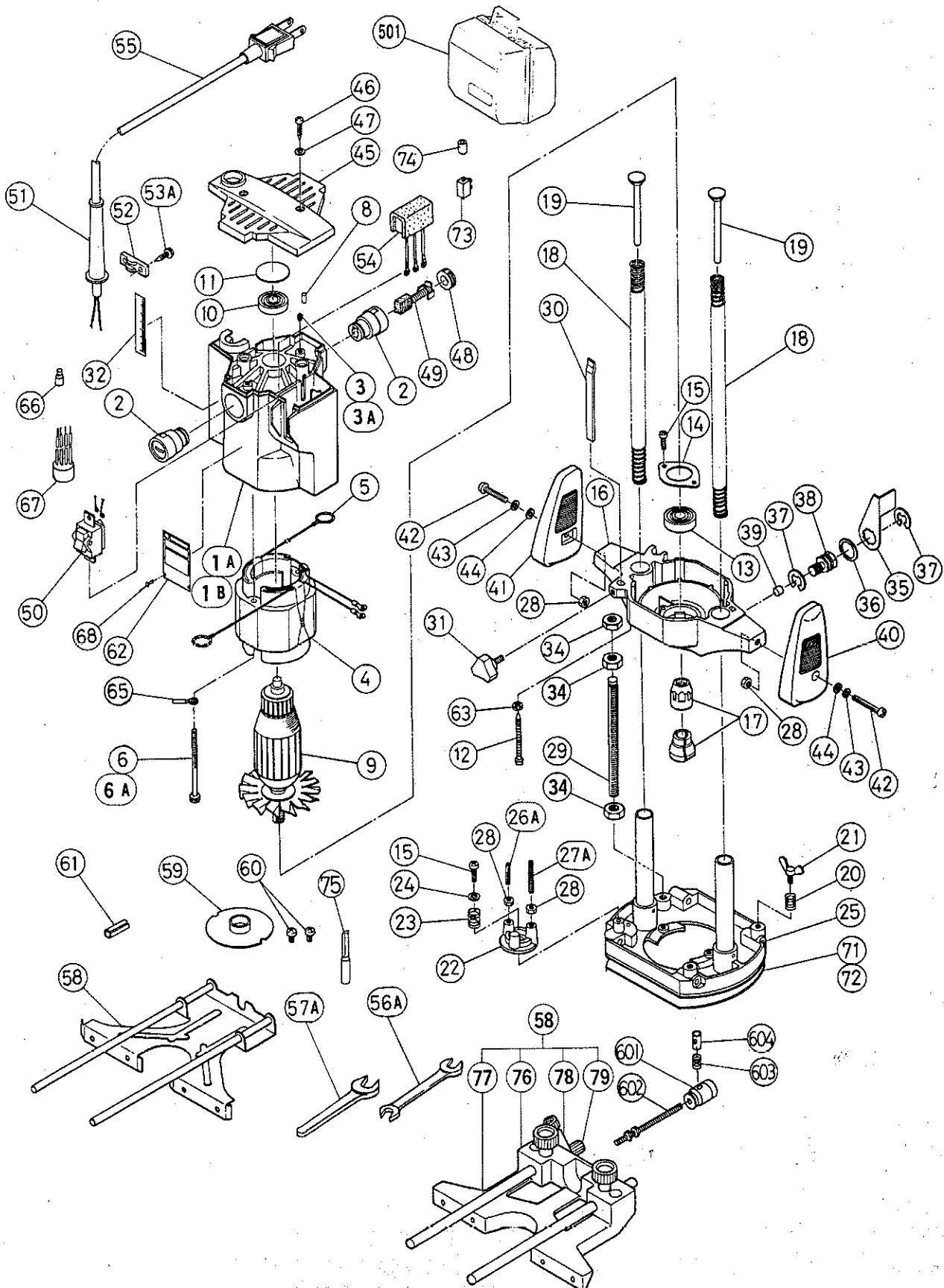
## ELECTRIC TOOL PARTS LIST

■ ROUTER

1987·11·30

Model TR-8

TR-8(E6)



## PARTS

TR-8(E6)

Item No.	Code No.	Part Name	Q'ty	Remarks
1A	—	Housing Ass'y	1	See alternative parts
2	—	Brush Holder	2	See alternative parts
3	949365	Slotted Hd. Set Screw M4 x 5	2	till 10, 1985 (10 pcs.)
3A	938477	Hexagon Socket Hd. Set Screw M5 x 8	2	since 11, 1985
4	—	Stator Ass'y	1	See alternative parts
5	930703	Brush Terminal	2	
6	971861	Bolt M5 x 53	2	till 12, 1986
6A	961501	Hexagon Hd. Tapping Screw D5 x 60	2	since 1, 1987
8	931701	Bearing Lock	1	
9	—	Armature	1	See alternative parts
10	939291	Ball Bearing (608VVC2)	1	
11	971835	Bearing Seal	1	
12	955912	Tapping Screw D5 x 45	4	
13	939220	Ball Bearing (6200VVCM)	1	
14	971836	Bearing Cover	1	
15	949217	Machine Screw M4 x 12	3	(10 pcs.)
16	971837	End Bracket	1	
17	—	Collet Chuck	1	See alternative parts
18	971853	Spring	2	
19	971839	Spring Guide	2	
20	947859	Lock Spring	2	
21	956924	Wing Bolt M6 x 15	2	
22	971840	Stopper Block	1	
23	971858	Spring (A)	1	
24	962569	Washer (B)	1	
25	971841	Base Ass'y	1	includes 71
26A	998380	Hexagon Socket Hd. M5 x 20	1	
27A	998381	Hexagon Socket Hd. M5 x 35	1	
28	949555	Nut M5	4	(10 pcs.)
29	971843	Threaded Column	1	
30	971844	Stopper Pole	1	
31	958573	Knob	1	
32	—	Scale	1	See alternative parts
34	949568	Lock Nut M8	4	(10 pcs.)
35	956786	Lock Lever	1	
36	971846	Wave Washer	1	
37	670514	E-Type Retaining Ring	2	for D10 shaft
38	971847	Lock Screw	1	
39	971848	Lock Piece	1	
40	956777	Handle (R)	1	
41	956776	Handle (L)	1	
42	949247	Machine Screw M5 x 35	2	(10 pcs.)
43	949454	Spring Lock Washer	2	for M5 (10 pcs.)
44	949424	Washer	2	for M5 (10 pcs.)
45	971849	Top Cover	1	
46	956384	Tapping Screw D4 x 20	2	
47	949423	Washer	2	for M4 (10 pcs.)
48	—	Brush Cap	2	See alternative parts
49	999043	Carbon Brush	2	
50	—	Switch	1	See alternative parts
51	938051	Cord Armor	1	
52	937631	Cord Clip	1	
53A	984750	Tapping Screw D4 x 16	2	w/Flange

## ALTERNATIVE PARTS

TR-8(E6)

Item No.	Code No.	Part Name	Q'ty	Remarks
9	971834H	Armatute 240V	1	for U.K.
	971834J	Armature 110V	1	for U.K.
17	971838	Collet Chuck 8 mm	1	
	971877	Collet Chuck (A) 1/4"	1	
32	956775P	Scale (Inch)	1	
	956785	Scale	1	
48	945161	Brush Cap	2	
	961781	Brush Cap	2	for Austria
50	956789	Double Pole Switch (Screw Type)	1	
	960118Z	Double Pole Switch (Pillar Type)	1	
54	930031	Noise Suppressor	1	w/o terminal
55	500201Z	Cord	1	w/o terminal for Asia
	500226Z	Cord	1	w/o terminal for Oceania
	500223Z	Cord	1	w/o terminal for Singapore
	500231Z	Cord	1	w/o terminal, w/o plug for U.K., S. Africa
	500234Z	Cord	1	w/o terminal for Europe
58	971851	Parallel Guide	1	
	971620	Straight Guide (A) Ass'y	1	includes 76~79 for France, Switzerland
61	971854	Chuck Sleeve D8 x 1/4"	1	for 8 mm collet chuck
62	—	Name Plate	1	
65	—	Internal Wire	1	
66	959142	Connector (50096)	2	(10 pcs.)
67	971869Z	Choke Coil	1	for N.Z.
68	949509	Rivet D2.5 x 3.2	4	for U.S.A. (10 pcs.)
73	938307Z	Pillar Terminal	1	
74	981373	Tube (D)	2	
75	971878	Straight Bit D1/4" x 1/4"	1	
76	971621	Straight Guide (A)	1	for France, Switzerland
77	971622	Guide Bar	2	for France, Switzerland
78	95611	Screw Holder	1	for France, Switzerland
79	911623	Feed Screw (A)	1	for France, Switzerland

## PARTS

TR-8(E6)

Item No.	Code No.	Part Name	Q'ty	Remarks
54	—	Noise Suppressor	1	See alternative parts
55	—	Cord	1	See alternative parts
56A	971859	Wrench 8 x 13 mm	1	
57A	879055	Wrench 17 mm	1	
58	—	Guide	1	See alternative parts
59	956790	Template Guide D18	1	
60	949234	Machine Screw M5 x 6	2	(10 pcs.)
61	—	Chuck Sleeve	1	See alternative parts
62				
63	949454	Spring Lock Washer	4	for M5 (10 pcs.)
64	971863Z	Threaded Column Ass'y	1	includes 29, 34
65	—	Internal Wire Ass'y	1	See alternative parts
66	—	Connector	2	See alternative parts
67	—	Choke Coil	1	See alternative parts
68	—	Rivet	1	See alternative parts
70				
71	971872	Sub Base	1	
73	—	Pillar Terminal	1	See alternative parts
74	—	Tube (D)	2	See alternative parts
75	—	Straight Bit	1	See alternative parts
76	—	Straight Guide (A)	1	See alternative parts
77	—	Guide Bar	2	See alternative parts
78	—	Screw Holder	1	See alternative parts
79	—	Feed Screw (A)	1	See alternative parts

## ALTERNATIVE PARTS

Item No.	Code No.	Part Name	Q'ty	Remarks
1B	971830Z	Housing Ass'y (for Screw Type Switch)	1	includes 2, 3A, 6A
1A	971869Z	Housing Ass'y (for Pillar Type Switch)	1	includes 2, 3A
1A	971876	Housing Ass'y	1	for Austria includes 2, 3A
2	958900	Brush Holder	2	
	981586	Brush Holder	2	for Austria
4	971832C	Stator Ass'y 110V ~ 115V	1	includes 5
	971832D	Stator Ass'y 120V ~ 127V	1	includes 5
	971832E	Stator Ass'y 220V ~ 230V	1	includes 5
	971832F	Stator Ass'y 240V	1	includes 5
	971832G	Stator Ass'y 230V	1	for N.Z. includes 5
	971870L	Stator Ass'y 220V ~ 230V	1	for Austria includes 5
	971870M	Stator Ass'y 240V	1	for U.K. includes 5
	971870N	Stator Ass'y 220V ~ 230V	1	for Denmark, Finland, Sweden, Norway includes 5
	971870J	Stator Ass'y 110V	1	for U.K. includes 5
9	971834C	Armature 110V ~ 115V	1	
	971834D	Armature 120V ~ 127V	1	
	971834E	Armature 220V ~ 230V	1	
	971834F	Armature 240V	1	
	971834G	Armature 220V ~ 230V	1	for S. Africa, Denmark, Finland, Sweden, Austria, Norway

