

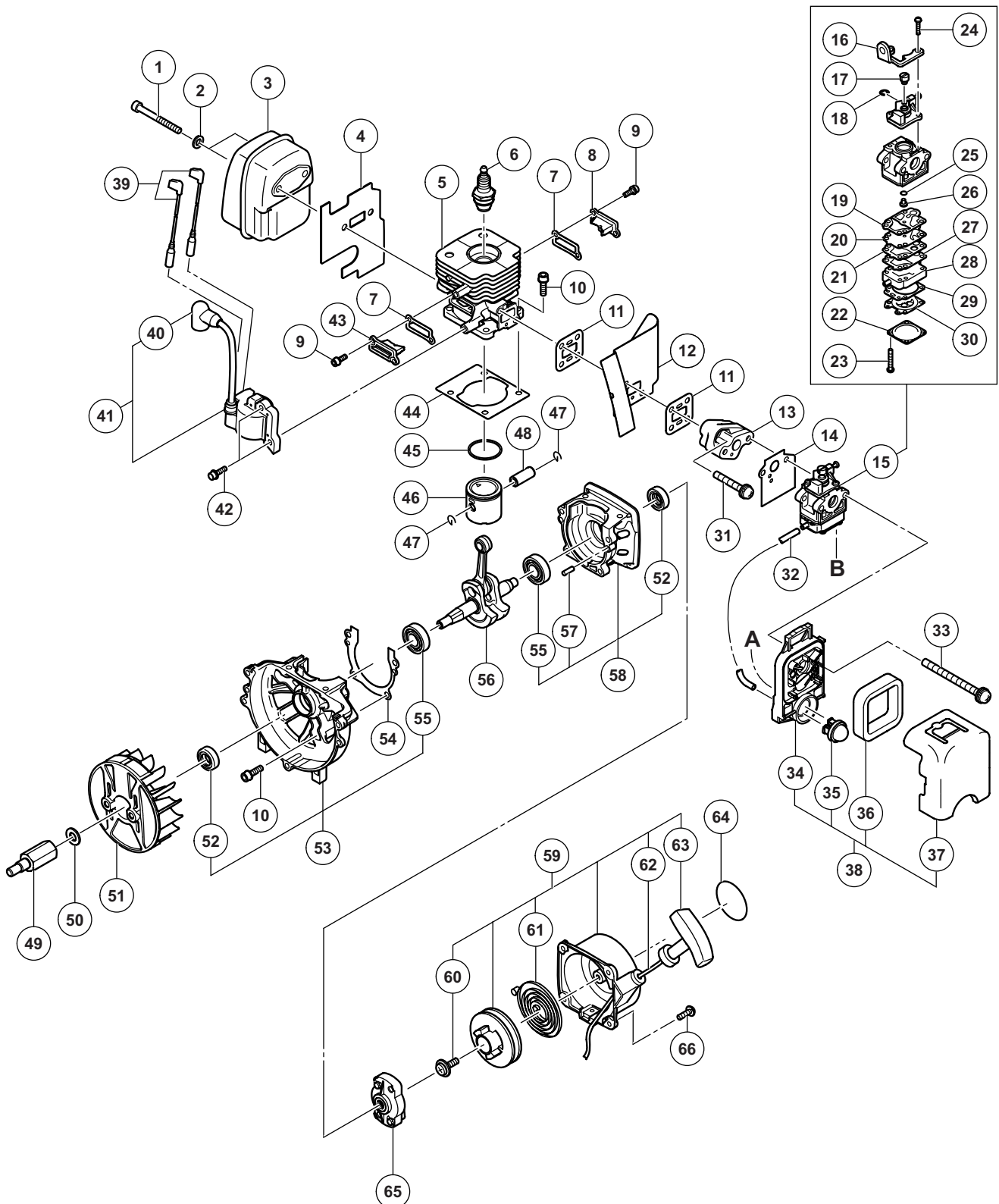
ENGINE TOOL PARTS LIST

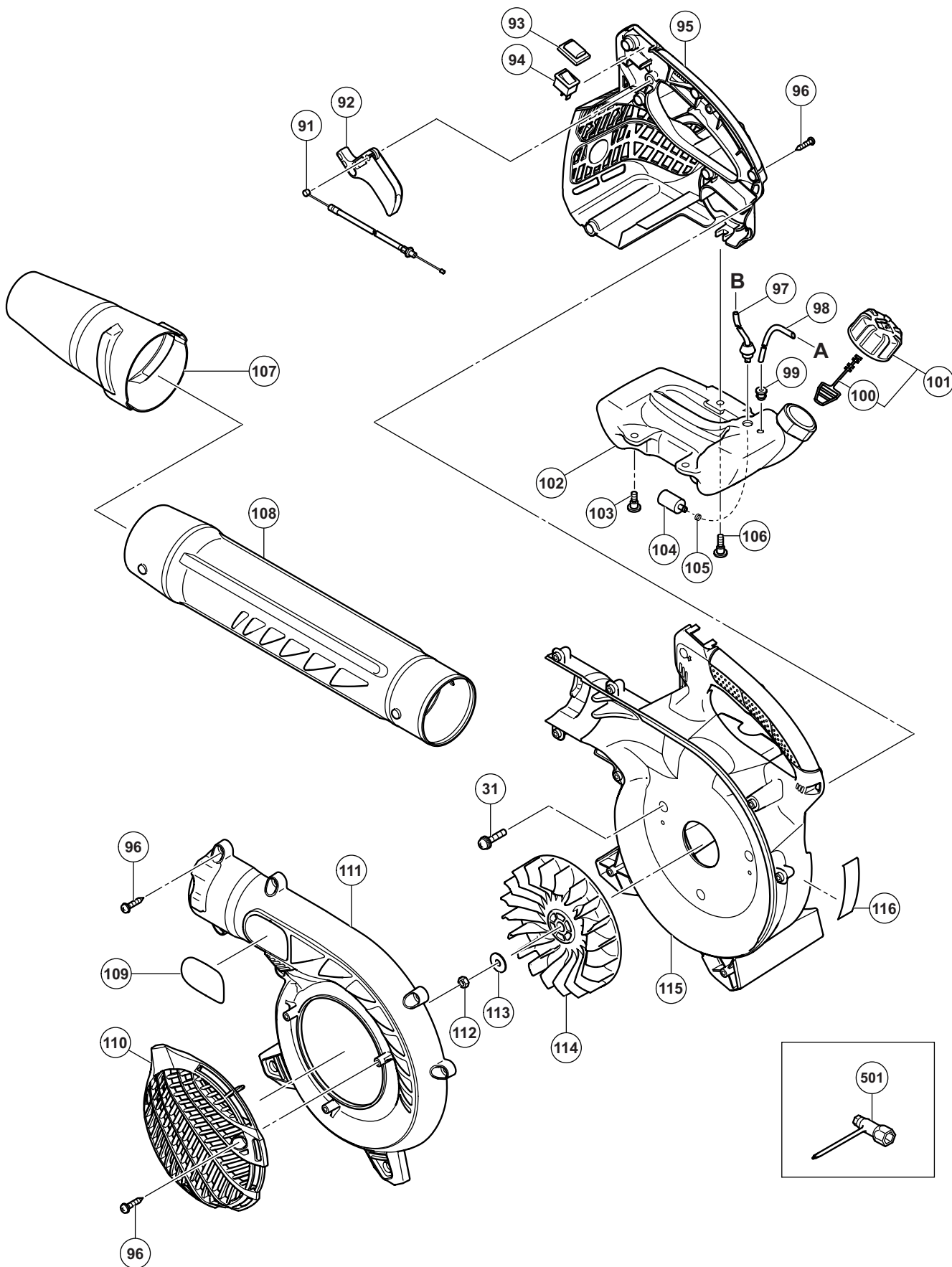
ENGINE BLOWER

2010-11-8

Model TRB 24EA (TANAKA BRAND)

(E1)





PARTS

TRB 24EA

| ITEM NO. | CODE NO. | DESCRIPTION | NO. USED | REMARKS |
|----------|----------|--|----------|---------------|
| 1 | 669-8384 | HEX. SOCKET HD. BOLT M6 X 65 | 2 | |
| 2 | 949-432 | BOLT WASHER M6 (10 PCS.) | 2 | |
| 3 | 669-8376 | MUFFLER | 1 | |
| 4 | 669-8374 | HEAT PROTECTION PLATE | 1 | |
| 5 | 669-8362 | CYLINDER | 1 | |
| 6 | 668-4584 | SPARK PLUG BMR7A | 1 | |
| 7 | 669-8365 | COVER PACKING | 2 | |
| 8 | 669-8363 | SCAVENGING COVER(A) | 1 | |
| 9 | 669-8385 | HEX. SOCKET HD. BOLT M4 X 12 | 4 | |
| 10 | 669-8386 | HEX. SOCKET HD. BOLT (W/SP.WASHER) M5 X 18 | 8 | |
| 11 | 668-4865 | INSULATOR GASKET | 2 | |
| 12 | 669-8372 | FLASH PAN | 1 | |
| 13 | 669-8387 | CARBURETOR INSULATOR | 1 | |
| 14 | 669-8405 | CARBURETOR PACKING | 1 | |
| 15 | 669-8373 | CARBURETOR ASS'Y (WYC-27) | 1 | INCLUD. 16-30 |
| 16 | | BRACKET CABLE | 1 | |
| 17 | 669-6830 | SWIVEL | 1 | |
| 18 | 668-4696 | STOP RING | 1 | |
| 19 | 668-4692 | PUMP GASKET | 1 | |
| 20 | 668-4693 | PUMP DIAPHRAGM | 1 | |
| 21 | 669-1242 | PUMP PLATE | 1 | |
| 22 | 668-5222 | DIAPHRAGM COVER | 1 | |
| 23 | 669-1312 | SET SCREW | 4 | |
| 24 | 669-6829 | SET SCREW | 2 | |
| 25 | 668-4695 | O-RING | 1 | |
| 26 | 669-7090 | MAIN JET #36 | 1 | |
| 27 | 669-1234 | CIRCUIT PLATE | 1 | |
| 28 | 669-6828 | PUMP BODY | 1 | |
| 29 | 668-5220 | DIAPHRAGM PACKING | 1 | |
| 30 | 668-4690 | METERING DIAPHRAGM COMP. | 1 | |
| 31 | 669-6834 | SEAL LOCK SCREW (W/WASHERS) M5 | 5 | |
| 32 | 669-6962 | FUEL PIPE | 1 | |
| 33 | 307-224 | MACHINE SCREW (W/WASHERS) M5 X 60 (BLACK) | 2 | |
| 34 | 669-6832 | HOUSING ASS'Y-AIR CLEANER | 1 | |
| 35 | 668-5139 | PRIMING PUMP COMP. | 1 | |
| 36 | 669-0347 | CLEANER ELEMENT | 1 | |
| 37 | 669-6831 | AIR CLEANER COVER | 1 | |
| 38 | 669-6549 | AIR CLEANER ASS'Y | 1 | INCLUD. 34-37 |
| 39 | 669-6566 | CORD (L325) | 2 | |
| 40 | 669-6833 | CORD | 1 | |
| 41 | 669-8397 | IGNITION COIL ASS'Y | 1 | INCLUD. 40 |
| 42 | 669-8388 | HEX. SOCKET HD. BOLT (W/WASHERS) M4 X 18 | 2 | |
| 43 | 669-8364 | SCAVENGING COVER (B) | 1 | |
| 44 | 669-8366 | CYLINDER PACKING | 1 | |
| 45 | 669-8404 | PISTON RING | 1 | |
| 46 | 669-8368 | PISTON | 1 | |
| 47 | 668-4590 | PISTON PIN CIR CLIP | 2 | |
| 48 | 668-4591 | PISTON PIN | 1 | |
| 49 | 669-8367 | SPECIAL BOLT | 1 | |
| 50 | 323-212 | BOLT WASHER M8 (BLACK) | 1 | |

PARTS

TRB 24AE

| ITEM NO. | CODE NO. | DESCRIPTION | NO. USED | REMARKS |
|----------|----------|--|----------|--------------------|
| 51 | 669-8396 | MAGNETO ROTOR | 1 | |
| 52 | 668-4607 | OIL SEAL TB 12227 | 2 | |
| 53 | 669-8370 | CRANK CASE (B) ASS'Y | 1 | INCLUD. 52, 55 |
| 54 | 669-8371 | CRANK CASE PACKING | 1 | |
| 55 | 668-4608 | BALL BEARING 6001 C3 | 2 | |
| 56 | 669-6533 | CRANK SHAFT COMP. | 1 | |
| 57 | 669-6947 | KNOCK PIN 4 X 12 | 2 | |
| 58 | 669-8369 | CRANK CASE (A) ASS'Y | 1 | INCLUD. 52, 55, 57 |
| 59 | 669-6572 | RECOIL STARTER BODY ASS'Y | 1 | INCLUD. 60-63 |
| 60 | 669-3633 | SET SCREW | 1 | |
| 61 | 668-4675 | RECOIL SPRING | 1 | |
| 62 | 669-3168 | STARTER ROPE | 1 | |
| 63 | 669-3227 | STARTER HANDLE | 1 | |
| 64 | | NAME PLATE | 1 | |
| 65 | 669-6471 | STARTER PULLEY | 1 | |
| 66 | 669-8398 | SCREW (W/WASHERS) M4 X 16 | 4 | |
| 91 | 669-8399 | THROTTLE WIRE COMP. | 1 | |
| 92 | 669-8391 | THROTTLE LEVER | 1 | |
| 93 | 669-8400 | SWITCH COVER | 1 | |
| 94 | 668-5364 | STOP SWITCH | 1 | |
| 95 | 669-8390 | MUFFLER PROTECTOR | 1 | |
| 96 | 302-089 | TAPPING SCREW (W/FLANGE) D5 X 20 (BLACK) | 17 | |
| 97 | 669-6551 | SHIELD TUBE | 1 | |
| 98 | 669-8401 | FUEL PIPE (PINK) | 1 | |
| 99 | 669-6970 | RETURN GROMMET | 1 | |
| 100 | 668-4625 | TANK CAP CHAIN | 1 | |
| 101 | 669-8402 | FUEL TANK CAP ASS'Y | 1 | INCLUD. 100 |
| 102 | 669-8377 | TANK | 1 | |
| 103 | 669-8511 | BOLT (W/FLANGE) L 17.8 | 2 | |
| 104 | 668-4620 | PUMP FILTER BODY COMP. | 1 | |
| 105 | 669-6949 | CLIP | 1 | |
| 106 | 669-8512 | BOLT (W/FLANGE) L23.8 | 1 | |
| 107 | 669-8394 | NOZZLE (B) | 1 | |
| 108 | 669-8393 | NOZZLE (A) | 1 | |
| 109 | | TANAKA LABEL | 1 | |
| 110 | 669-8381 | GUARD NET | 1 | |
| 111 | 669-8383 | VOLUTE CASE | 1 | |
| 112 | 669-8395 | FLANGE U NUT M8 | 1 | |
| 113 | 668-4924 | WASHER 8.1 X 30 | 1 | |
| 114 | 669-8378 | FAN | 1 | |
| 115 | 669-8380 | FAN CASE | 1 | |
| 116 | | CAUTION MARK | 1 | |
| | | | | |
| | | | | |
| | | | | |
| | | | | |
| | | | | |
| | | | | |
| | | | | |
| | | | | |
| | | | | |

