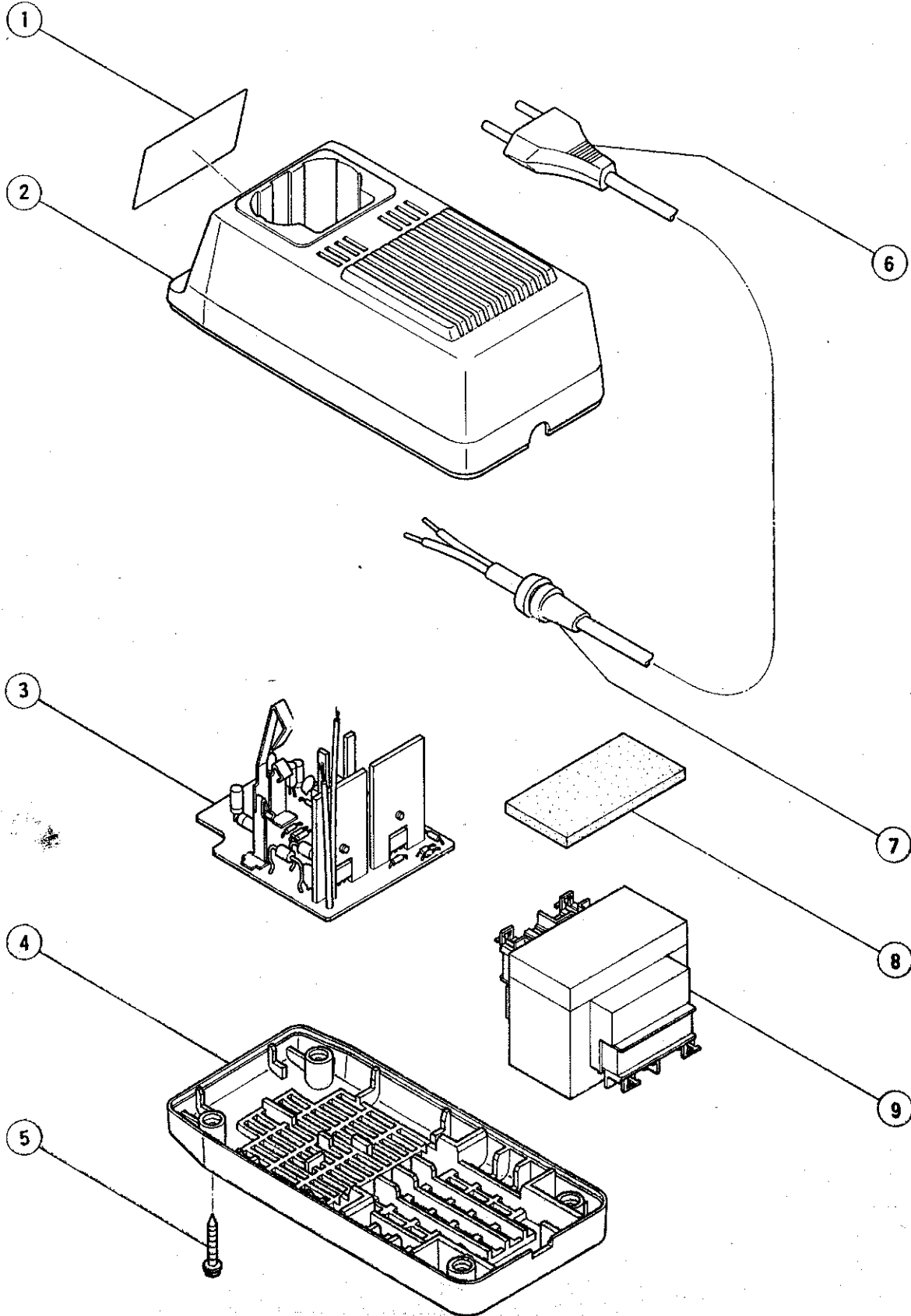


ELECTRIC TOOL PARTS LIST

■ **CHARGER**
Model **UC12Y**

1988-6-10
UC12Y (E1)



PARTS

UC12V(E1)

Item No.	Code No.	Part Name	Q'ty	Remarks
1	—	Name Plate	1	
2	—	Case (A)	1	See alternative parts
3	300005	Print Board 302087	1	
4	—	Case (B)	1	See alternative parts
5	300036	Tapping Screw D3 x 20	4	W/Washer
6	—	Cord	1	See alternative parts
7	991167	Cord Armor	1	
8	982490	Cushion (A)	1	
9	—	Transformer	1	See alternative parts

ALTERNATIVE PARTS

Item No.	Code No.	Part Name	Q'ty	Remarks
2	300027	Case (A)	1	
	300028	Case (A)	1	for U.S.A., Canada, Sweden, Finland, Australia
4	300029	Case (B)	1	
	300030	Case (B)	1	for U.S.A., Canada, Sweden, Finland, Australia
6	980642Z	Cord	1	
	980643Z	Cord	1	for N.Z.
	984430Z	Cord	1	for Sri Lanka
	980644Z	Cord	1	for U.K.
	984431Z	Cord	1	for U.S.A., Canada
9	300031	Transformer 220V	1	
	300032	Transformer 230V ~ 240V	1	for N.Z., Sri Lanka, U.K., Singapore
	300038	Transformer 240V	1	for Australia
	300033	Transformer 120V	1	for U.S.A., Canada