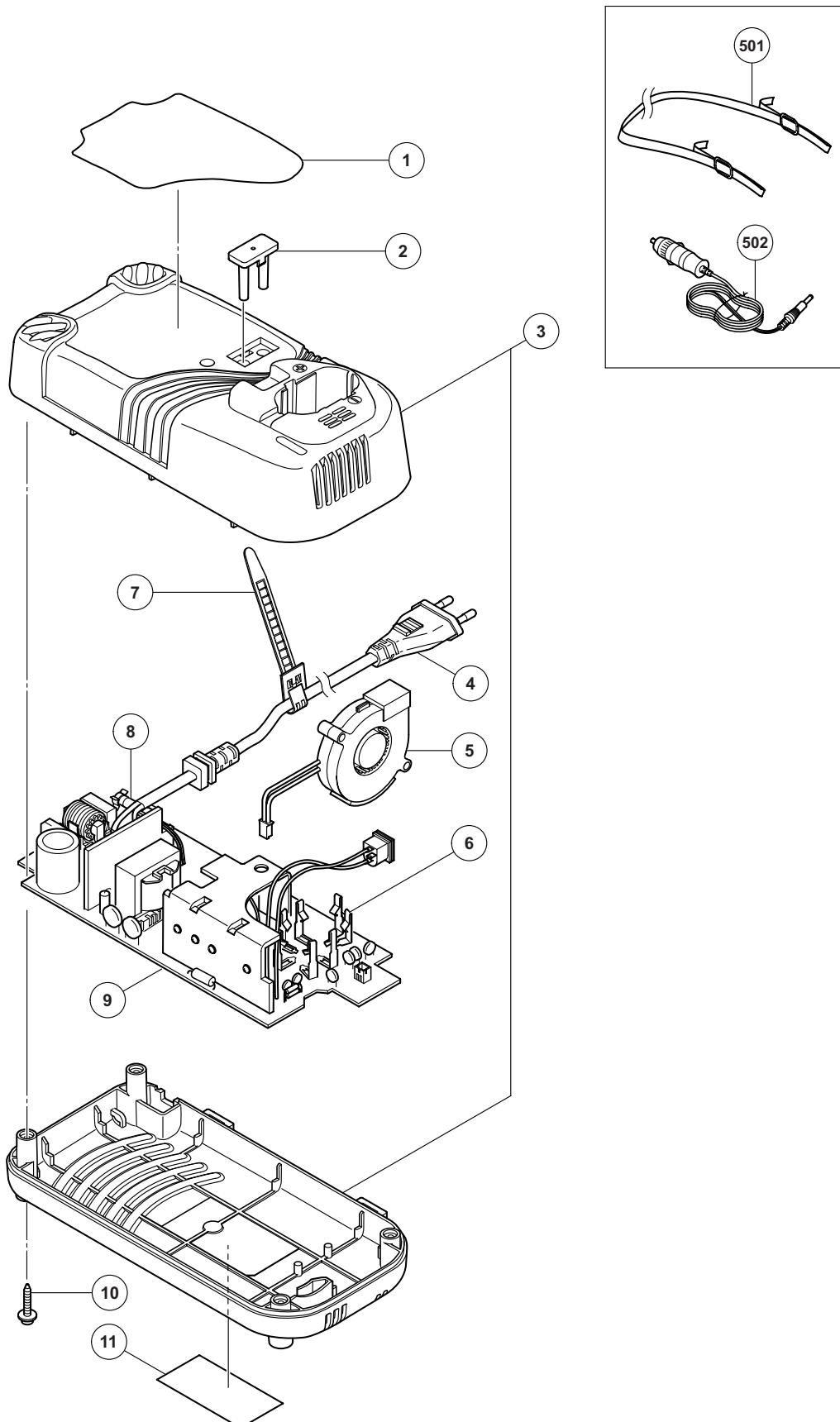


ELECTRIC TOOL PARTS LIST

CHARGER Model UC 18YMRL

2010·6·14
(E1)



PARTS

UC 18YMRL

ITEM NO.	CODE NO.	DESCRIPTION	NO. USED	REMARKS
1	332-981	CAUTION PLATE	1	
2	321-679	PRISM	1	
3	332-979	CASE (A). (B) SET	1	
* 4	318-262	CORD	1	
* 4	318-261	CORD	1	FOR GBR
5	326-306	FAN	1	
6	326-285	TERMINAL (A)	7	
7		BINDING BAND	1	
8	319-780	FUSE (250V-3.15A)	1	
9	332-980	PRINTED CIRCUIT BOARD ASS'Y	1	INCLUD. 6, 8
10	300-036	TAPPING SCREW (W/FLANGE) D3 X 20	4	
11		NAME PLATE	1	

STANDARD ACCESSORIES

ITEM NO.	CODE NO.	DESCRIPTION	NO. USED	REMARKS
501	328-527	STRAP	1	
502	330-168	DC-CORD	1	