

2/2

HITACHI

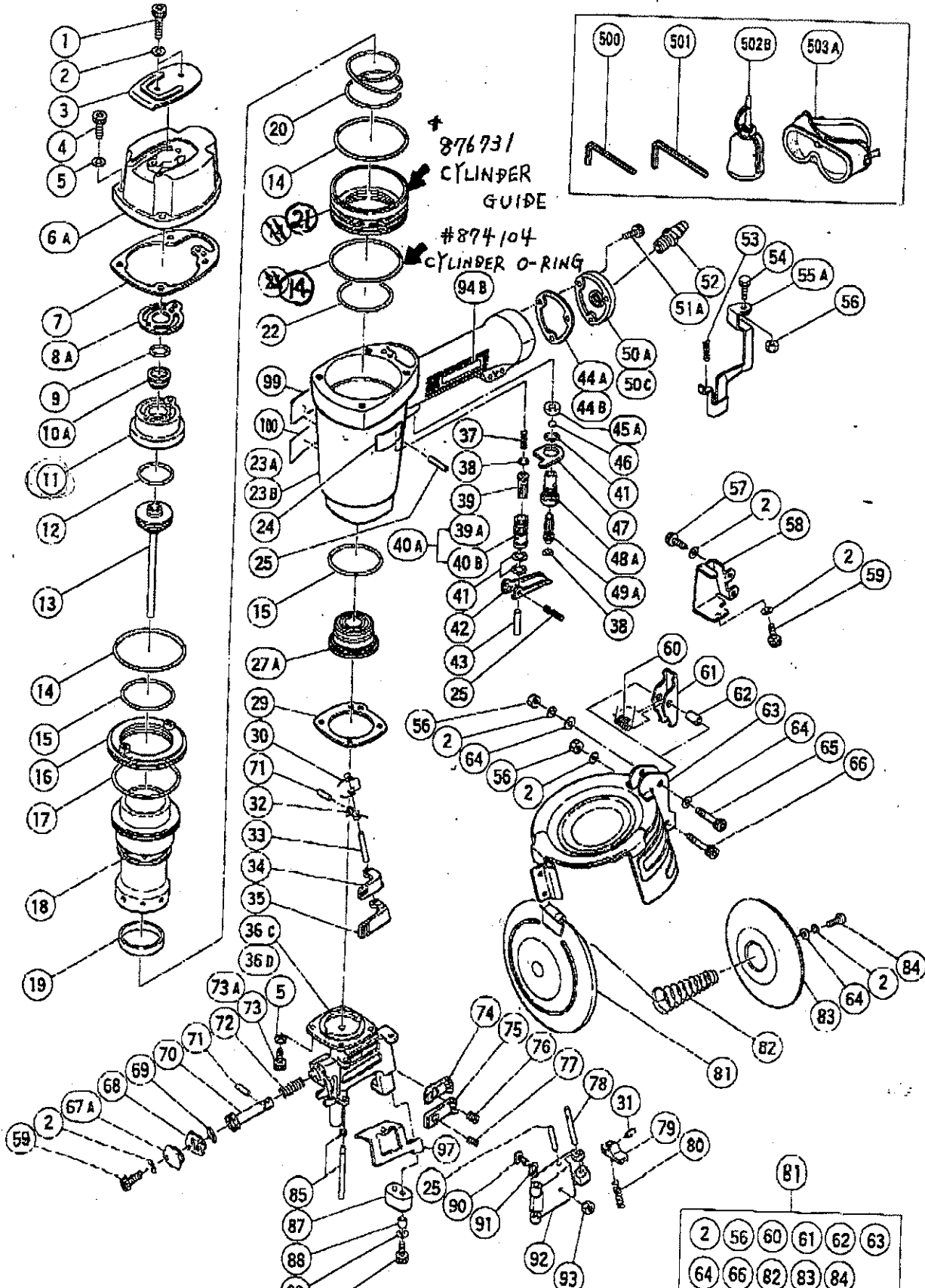
ORIGINAL

LIST NO. 1020

PNEUMATIC TOOL PARTS LIST

AIR NAILER Model VH-650

1997.2.20
(E8)



PARTS

VH - 650

ITEM NO.	CODE NO.	DESCRIPTION	NO. USED	REMARKS
1	949-822	HEX. SOCKET HD. BOLT M5X35 (10 PCS.)	2	
2	949-454	SPRING WASHER M5 (10 PCS.)	10	
3	876-444	TOP COVER	1	
4	949-652	HEX. SOCKET HD. BOLT M6X25 (10 PCS.)	4	
5	949-455	SPRING WASHER M6 (10 PCS.)	8	
* 6A	876-440	EXHAUST COVER (C)	1	
* 6A	876-769	EXHAUST COVER (D)	1	FOR USA,EUROPE
* 7	876-441	GASKET (B)	1	
* 7	876-747P	GASKET (F)	1	FOR USA,EUROPE
* 8A	876-749	GASKET (G)	1	FOR USA,EUROPE
* 9	872-821	VALVE O - RING	2	TILL 12.1987 FOR USA
10A	878-417	EXHAUST VALVE	1	
* 11	876-442	HEAD CAP (C)	1	
* 11	876-748P	HEAD CAP (D)	1	FOR USA,EUROPE
* 12	931-835	O - RING (P - 36)	2	FOR USA,EUROPE
* 13	876-734	PISTON	1	FOR USA,EUROPE
* 13	876-750	PISTON (H)	1	FOR GBR
14	874-104	CYLINDER O - RING (I.D 68.3)	3	
15	875-602	CYLINDER O - RING (I.D 50.9)	2	
16	876-435	CYLINDER PLATE	1	
17	877-312	CYLINDER O - RING (I.D 63.1)	1	
18	876-732	CYLINDER	1	
19	876-434	CYLINDER RING	1	
20	875-605	CYLINDER SPRING	1	
21	876-731	CYLINDER GUIDE	1	
22	876-433	CYLINDER O - RING (B) I.D 55.9	1	
* 23A	876-758	BODY CAP ASS'Y	1	INCLUD.44B,50C
* 23B	876-759	BODY CAP ASS'Y	1	INCLUD.44B,50C FOR USA,EUROPE
* 24	876-756Z	NAME PLATE	1	
* 24		NAME PLATE	1	FOR EUROPE
* 24		NAME PLATE	1	FOR USA
25	949-866	ROLL PIN D3X30 (10 PCS.)	3	
27A	876-766	PISTON BUMPER (A)	1	SINCE 2.1987
29	876-737	GASKET (A)	1	
30	876-717	MAIN FEEDER SPRING (A)	1	
31	949-776	ROLL PIN D3X10 (10 PCS.)	1	
32	876-691	SUB FEEDER SPRING	1	
33	876-689	FEEDER SHAFT	1	
34	876-688	MAIN FEEDER	1	
35	876-707	SUB FEEDER	1	
* 36C	876-751	NOSE ASS'Y	1	INCLUD.35,36D,85 (TILL 3.1981 FOR USA ONLY)
* 36D	876-752	NOSE ASS'Y	1	INCLUD.85 SINCE 4.1981 FOR USA
37	875-643	PLUNGER SPRING	1	
38	874-820	PLUNGER O - RING	2	
39	876-739	SAFETY PLUNGER (A)	1	TILL 7.1986
39A	878-122	PLUNGER (A)	1	SINCE 8.1986
40A	876-764	VALVE BUSHING ASS'Y	1	INCLUD.39A,40B TILL 7.1986
40B	878-266	VALVE BUSHING	1	SINCE 8.1986
41	875-638	O - RING (S - 12)	3	
42	876-203	TRIGGER	1	

*: ALTERNATIVE PARTS

PARTS

VH - 650

ITEM NO.	CODE NO.	DESCRIPTION	NO. USED	REMARKS
43	875-642	SAFETY PLUNGER (B)	1	
44A	876-447	GASKET (D)	1	TILL 12.1982
44B	877-331	GASKET (D)	1	SINCE 1.1983
45A	878-734	VALVE PACKING	1	
46	875-645	URETHANE BALL (C) D7.14	1	
47	875-644	VALVE PLATE	1	
48A	877-335	TRIGGER VALVE BUSHING	1	
49A	878-121	TRIGGER PLUNGER	1	
* 50A	876-446	CAP	1	TILL 12.1982
* 50A	877-050Z	CAP	1	TILL 12.1982 FOR USA
* 50C	878-878	CAP	1	SINCE 1.1983
* 50C	878-311	CAP	1	SINCE 1.1983 FOR USA,EUROPE
51A	949-658	HEX. SOCKET HD. BOLT M5X18 (10 PCS.)	3	
* 52	874-782	AIR PLUG PT 1/4	1	
* 52	872-035	DUST CAP	1	FOR USA,EUROPE
53	876-676	SAFETY SPRING	1	
54	875-650	SAFETY BOLT	1	
55A	876-763	PUSHING LEVER (G)	1	
56	949-555	NUT M5 (10 PCS.)	3	
57	949-765	HEX. SOCKET HD. BOLT M5X12 (10 PCS.)	2	
58	876-696	SAFETY GUARD	1	
59	949-819	HEX. SOCKET HD. BOLT M5X10 (10 PCS.)	3	
60	876-703	MAGAZINE LOCK SPRING	1	
61	876-702	MAGAZINE STOPPER	1	
62	876-743	COLLAR	1	
63	876-742	MAGAZINE PRIMARY	1	
64	876-205	WASHER	3	
65	949-664	HEX. SOCKET HD. BOLT M5X30 (10 PCS.)	1	
66	949-662	HEX. SOCKET HD. BOLT M5X25 (10 PCS.)	1	
* 67A	876-661	FEED PISTON COVER	1	FOR USA,EUROPE
68	876-695	GASKET (E)	1	
69	873-095	O - RING (P - 16)	1	
70	876-692	FEED PISTON	1	
71	949-551	ROLL PIN D2.5X10 (10 PCS.)	2	
72	876-693	FEED SPRING	1	
* 73	949-660	HEX. SOCKET HD. BOLT M6X20 (10 PCS.)	4	
* 73A	877-947	NYLOCK HEX. SOCKET HD. BOLT M6X20	4	FOR USA,EUROPE
74	877-143	MAIN NAIL STOPPER	1	
75	876-679	SUB NAIL STOPPER	1	
76	876-681	MAIN STOPPER SPRING	1	
77	876-685	SUB STOPPER SPRING	1	
78	876-682	LOCK SHAFT	1	
79	877-374	GUIDE LOCK	1	
80	877-372	SPRING	1	
81	876-741	MAGAZINE ASS'Y	1	INCLUD.2,56,60 - 64,66,82 - 84
82	876-701	HOLDER SPRING	1	
83	876-700	NAIL HOLDER	1	
84	876-705	HEX. SOCKET SET SCREW M5X10	1	
85	876-760	NAIL GUIDE SHAFT (A)	1	
87	876-697	GUARD BUMPER	1	
88	876-706	BUMPER COLLAR	1	

*: ALTERNATIVE PARTS

PARTS

VH - 650

ITEM NO.	CODE NO.	DESCRIPTION	NO. USED	REMARKS
89	949-431	BOLT WASHER M5 (10 PCS.)	1	
90	876-680	STOPPER BOLT	1	
91	876-686	THRUST WASHER	2	
92	876-677	NAIL GUIDE	1	
93	874-780	NYLON NUT M3	1	
94B	878-312	HITACHI LABEL	1	
* 97	880-040	NAIL GUARD	1	FOR EUROPE
98	949-665	HEX. SOCKET HD. BOLT M5X14 (10 PCS.)	1	
* 99	878-184	WARNING LABEL	1	
* 100	878-183	WARNING LABEL	1	FOR EUROPE

STANDARD ACCESSORIES

ITEM NO.	CODE NO.	DESCRIPTION	NO. USED	REMARKS
* 500	944-458	HEX. BAR WRENCH 4MM	1	FOR USA,EUROPE
* 501	944-459	HEX. BAR WRENCH 5MM	1	FOR USA,EUROPE
* 502B	877-153	PNEUMATIC TOOL LUBRICANT (30CC)	1	EXCEPT FOR USA
503A	875-769	EYE PROTECTOR	1	

OPTIONAL ACCESSORIES

ITEM NO.	CODE NO.	DESCRIPTION	NO. USED	REMARKS
* 601	876-750Z	POWER SET	1	INCLUD.602,604A - 608 FOR USA
* 602	876-607	HEX. SOCKET HD. BOLT M5X90	2	FOR USA
603	876-618	HANGER	1	
* 604A	876-749	GASKET (G)	1	FOR USA
* 605	876-606	EXHAUST PIECE	1	FOR USA
* 606	876-605	HEX. SOCKET HD. BOLT M6X70	4	FOR USA
* 607	876-441	GASKET (B)	1	FOR USA
* 608	876-604	UPPER COVER	1	FOR USA
609	876-720	DRIVE CONTROLLER	1	
610	874-116	AIR SOCKET 6MM	1	
* 611	876-754Z	SINGLE SHOT SET	1	INCLUD.612 - 619 FOR USA
* 612	876-755Z	PUSHING LEVER (D)	1	FOR USA
* 613	876-723Z	PLUNGER (A)	1	FOR USA
* 614	876-724Z	PLUNGER (B)	1	FOR USA
* 615	877-144	FEED SPRING	1	FOR USA
* 616	876-725Z	PLUNGER SPRING (A)	1	FOR USA
* 617	876-726	PLUNGER SPRING (B)	1	FOR USA
* 618	876-727Z	VALVE BUSHING (D)	1	FOR USA
* 619	874-820	PLUNGER O - RING	1	FOR USA
620	876-750	PISTON (H)	1	
621	876-762	SINGLE SHOT PARTS	1	

* : ALTERNATIVE PARTS