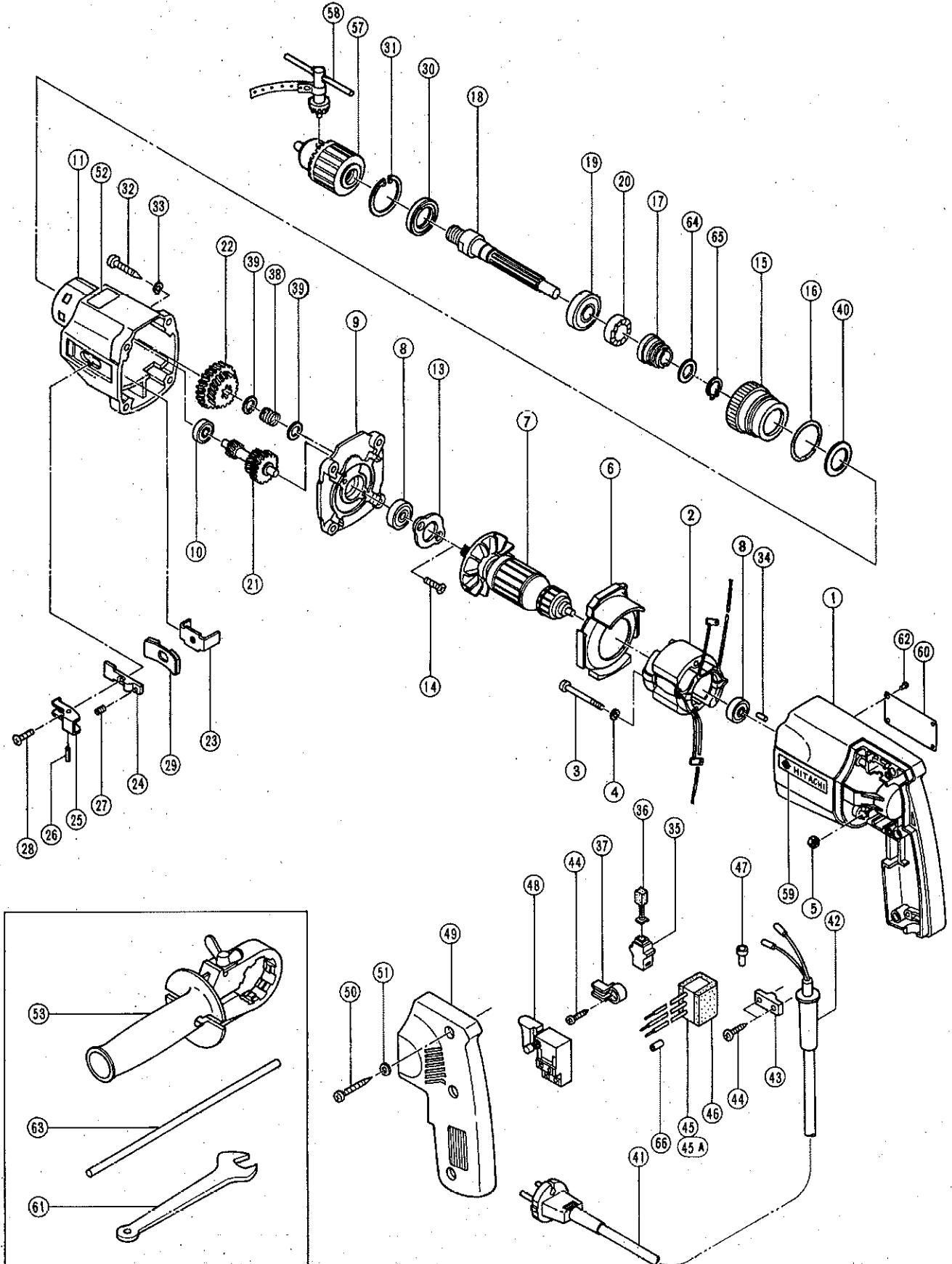


ELECTRIC TOOL PARTS LIST

■ IMPACT DRILL
Model VTP-10

1986·6·20
VTP-10(E5)



PARTS

VTP-10(E5)

Item No.	Code No.	Part Name	Q'ty	Remarks
1	971640	Housing	1	
2	—	Stator	1	See alternative parts
3	949278	Machine Screw M4 x 55	2	(10 pcs.)
4	949453	Spring Lock Washer	2	for M4 (10 pcs.)
5	949554	Nut M4	2	(10 pcs.)
6	971642	Fan Guide	1	
7	—	Armature	1	See alternative parts
8	939396	Ball Bearing (608ZZC2)	2	
9	971664	Inner Cover	1	
10	939396	Ball Bearing (608ZZC2)	1	
11	971644	Gear Cover	1	
13	971659	Bearing Holder	1	
14	949321	Flat Hd. Screw M4 x 8	2	(10 pcs.)
15	971645	Change Ring	1	
16	872767	O-Ring	1	
17	971646	Ratchet (A)	1	
18	980191	Spindle	1	
19	971673	Ball Bearing (6002DDCM)	1	
20	971648	Ratchet (B)	1	
21	971700	Second Pinion	1	
22	980192	Gear	1	
23	971651	Shift Arm	1	
24	971652	Shift Plate	1	
25	971653	Shift Lock	1	
26	949535	Roll Pin D3 x 12	1	(10 pcs.)
27	943053	Spring (B)	1	
28	949323	Flat Hd. Screw M4 x 12	1	(10 pcs.)
29	971672	Seal Plate	1	
30	971654	Dust Seal	1	
31	948001	C-Type Retaining Ring	1	for I.D. 32 Hole
32	931875	Tapping Screw D5 x 35	4	
33	949454	Spring Lock Washer	4	for M5 (10 pcs.)
34	946362	Bearing Lock	1	
35	955203	Brush Holder	2	
36	999041	Carbon Brush	2	(2 pcs.)
37	971655	Holder Piece	2	
38	971656	Spring	1	
39	971657	Washer	2	
40	953038	Washer	1	
41	—	Cord	1	See alternative parts
42	—	Cord Armor	1	See alternative parts
43	937631	Cord Clip	1	
44	954004	Tapping Screw D4 x 16	4	
45	—	Noise Suppressor	1	See alternative parts
45A	—	Noise Suppressor	1	See alternative parts
46	—	Support (B)	1	See alternative parts
47	—	Connector	1	See alternative parts
48	—	Switch	1	See alternative parts
49	971660	Handle Cover	1	
50	956384	Tapping Screw D4 x 20	3	
51	949423	Washer	3	for M4 (10 pcs.)
52	971661	Label	1	
53	971662	Side Handle	1	

PARTS

VTP-10(E5)

Item No.	Code No.	Part Name	Q'ty	Remarks
57	950271	Drill Chuck 10VLA	1	includ. 58
58	930119	Chuck Wrench	1	
59	957561	HITACHI Label	1	
60	—	Name Plate	1	See alternative parts
61	937914	Wrench	1	
62	932642	Rivet D2.5 x 8	4	
63	971677	Depth Stopper	1	
64	980194	Washer	1	
65	939542	C-Type Retaining Ring	1	for D12 Shaft (10 pcs.)
66	—	Tube (D)	1	See alternative parts

ALTERNATIVE PARTS

Item No.	Code No.	Part Name	Q'ty	Remarks
2	971655C	Stator 110V ~ 120V	1	
	971655E	Stator 220V ~ 230V	1	
	971665F	Stator 240V	1	for U.K.
	971665G	Stator 220V ~ 230V	1	for N.Z., S. Africa, Europe
	971665H	Stator 240V	1	for Australia
	971665K	Stator 220V	1	for F.R. Germany, Holland
	971665L	Stator 220V	1	for Austria, Finland
	971665M	Stator 240V	1	for Malta, Kuwait
	971665Z	Stator 110V	1	for U.K.
7	971666C	Armature 110V ~ 120V	1	
	971666E	Armature 220V ~ 230V	1	
	971666F	Armature 240V	1	
41	500201Z	Cord	1	for Asia (Cord Armor D10.2)
	971674Z	Cord	1	for Oceania (Cord Armor D8.2)
	500223Z	Cord	1	for Singapore (Cord Armor D10.2)
	971676Z	Cord	1	for Europe (Cord Armor D8.2)
	971675Z	Cord	1	for U.K., S. Africa (Cord Armor D8.2)
	500240Z	Cord	1	for U.S.A. (Cord Armor D8.2)
42	930487	Cord Armor D8.2	1	
	930354	Cord Armor D10.2	1	
45	958847	Noise Suppressor	1	
	958846Z	Noise Suppressor	1	for Switzerland
45A	991312	Noise Suppressor	1	for N.Z., U.K., S. Africa, F.R. Germany, France, Netherlands, Finland, Sweden, Austria, Norway
46	930153	Support (B)	1	
47	959140	Connector (50091)	1	(10 pcs.)
48	957747	Single Pole Switch (Screw Type)	1	W/Lock
	971667Z	Double Pole Switch (Pillar Type)	1	W/Lock
66	981373	Tube (D)	1	

