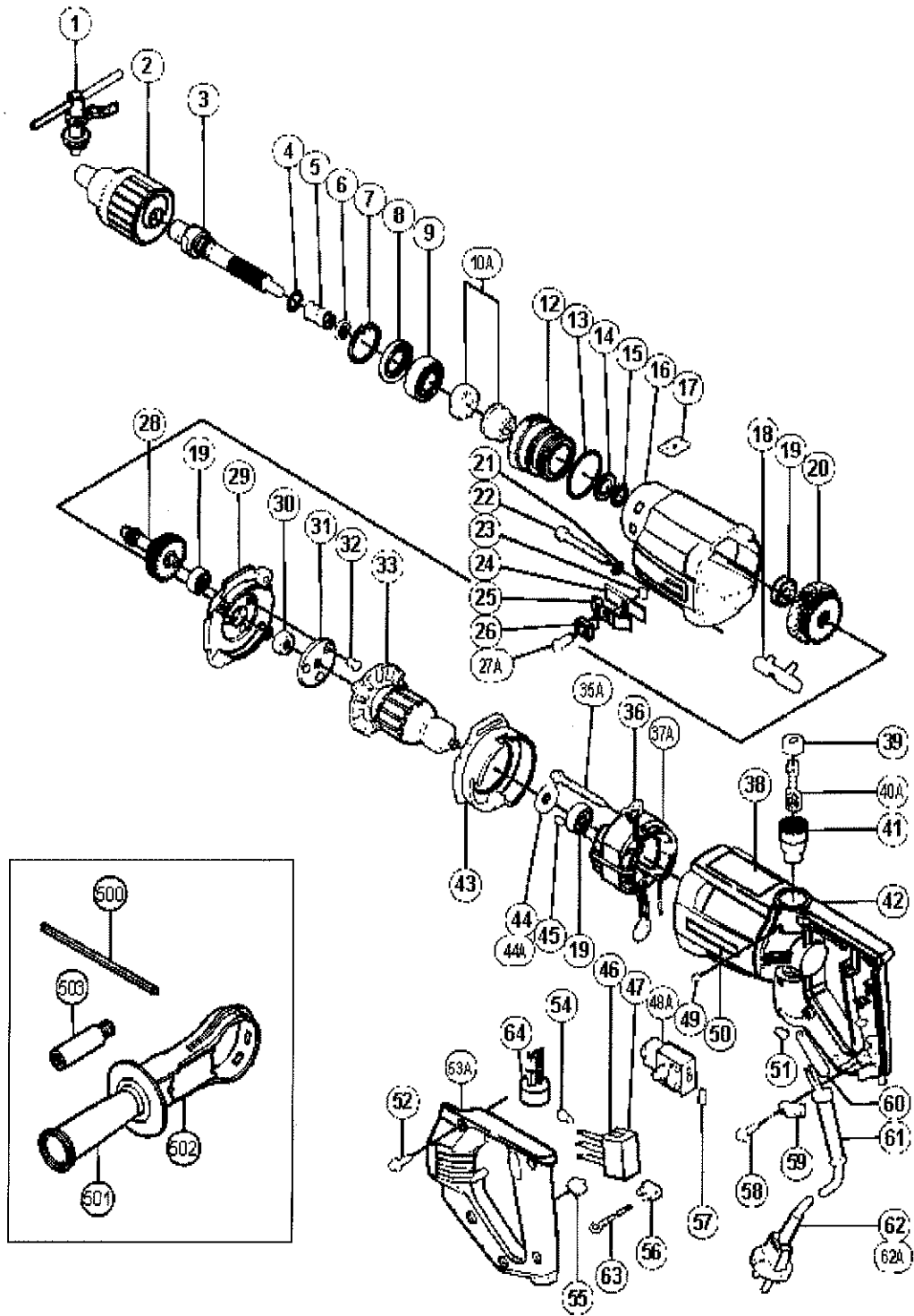


ELECTRIC TOOL PARTS LIST

■ IMPACT DRILL
Model VTV-16

2005 · 12 · 1
(E4-2)



TEILE

VTV16

Pos. Nr.	Art.Nr.	BESCHREIBUNG	Nr. STUE	KOMMENTAR
1	930-733		1	
2	950-284		1	INCLUD.1
3	981-566		1	
4	876-319		1	
5	981-568		1	
6	971-657		1	
7	939-556		1	
8	981-572		1	
9	600-3VV		1	
10A	981-592		1	
12	981-571		1	
13	980-717		1	
14	971-736		1	
15	939-543		1	
16	981-564		1	
17	971-661		1	
18	981-573		1	
19	608-VVM		3	
20	981-570		1	
21	949-424		4	
22	983-981		4	
23	942-864		1	
24	981-574		1	
25	981-575		1	
26	981-576		1	
27A	981-577		1	
28	981-569		1	
29	981-581		1	INCLUD.19,30-32
30	609-VVM		1	
31	981-585		1	
32	981-588		3	
* 33	981-611E		1	
* 33	981-611F		1	
35A	991-007		2	
36	930-703		2	
* 37A	971-720G		1	INCLUD.36 FOR SAF,GBR,HOL,DEN,FIN,AUT,
37A	971-720G		0	SUI,FRG,FRA,NOR,SWE
* 37A	981-610H		1	INCLUD.36 FOR AUS
* 37A	980-945E		1	INCLUD.36

*:ALTERNATIVTEILE

TEILE

VTV16

Pos. Nr.	Art.Nr.	BESCHREIBUNG	Nr. STUE	KOMMENTAR
* 37A	980-945F		1	INCLUD.36
38			1	
39	961-781		2	
40A	999-073		2	
41	981-586		2	
42	982-320Z		1	INCLUD.41,49
43	981-562		1	
44	956-387		1	TILL 2.1995
44A	984-367		1	
45	946-362		1	
* 46	994-273		1	
* 47	930-153		1	FOR NOISE SUPPRESSOR
48A	318-344		1	
49	949-365		2	
50	957-561		1	
* 51	959-141		1	
* 51	959-140		1	TILL 10.1999 FOR ITA,ASIA,AUS
52	982-095		5	
53A	324-722		1	FOR EUROPE (EXCEPT SUI),SAF
53A	324-901		1	FOR FIN,DEN,SWE,NOR,GBR(230V),SAF,SUI
* 54	938-108		1	FOR NOISE SUPPRESSOR
* 55	982-323Z		1	TILL 10.1999
* 56	982-805Z		1	TILL 10.1999
* 56	938-307		1	TILL 10.1999 FOR AUS
57	981-373		1	
58	930-446		2	
59	960-266		1	
60	930-793		1	
* 61	953-327		1	
* 61	938-051		1	
* 62	500-201Z		1	(CORD ARMOR D10.1)
* 62	500-439Z		1	(CORD ARMOR D8.8) FOR NZL
* 62	500-231Z		1	(CORD ARMOR D8.8) FOR SAF
* 62	500-234Z		1	(CORD ARMOR D8.8) FOR FRG,FRA,ITA
* 62	500-245Z		1	(CORD ARMOR D10.1) FOR SYR
* 62	500-247Z		1	(CORD ARMOR D10.1) FOR AUT,HOL,DEN,FIN,
62	500-247Z		0	SWE
* 62	500-248Z		1	(CORD ARMOR D10.1) FOR SUI
* 62A	500-435Z		1	(CORD ARMOR D8.8) FOR GBR

*ALTERNATIVTEILE

-- 3--

TEILE

VTV16

Pos. Nr.	Art.Nr.	BESCHREIBUNG	Nr. STUE	KOMMENTAR
* 62A	500-423Z		1	(CORD ARMOR D8.2) FOR SIN
* 63	981-500		1	FOR FIN
* 63	986-277		1	FOR SUJ
* 64	955-908		1	FOR NZL

STANDARDZUBEHÖR

Pos. Nr.	Art.Nr.	BESCHREIBUNG	Nr. STUE	KOMMENTAR
500	931-844		1	
501	981-579		1	INCLUD.502,503
502	981-580		1	
503	983-987		1	
601	931-851		1	
602	931-852		1	
603	931-853		1	
604	931-854		1	
605	971-704		1	
606	931-855		1	
607	931-776		1	
608	971-670		1	
609	931-856		1	