

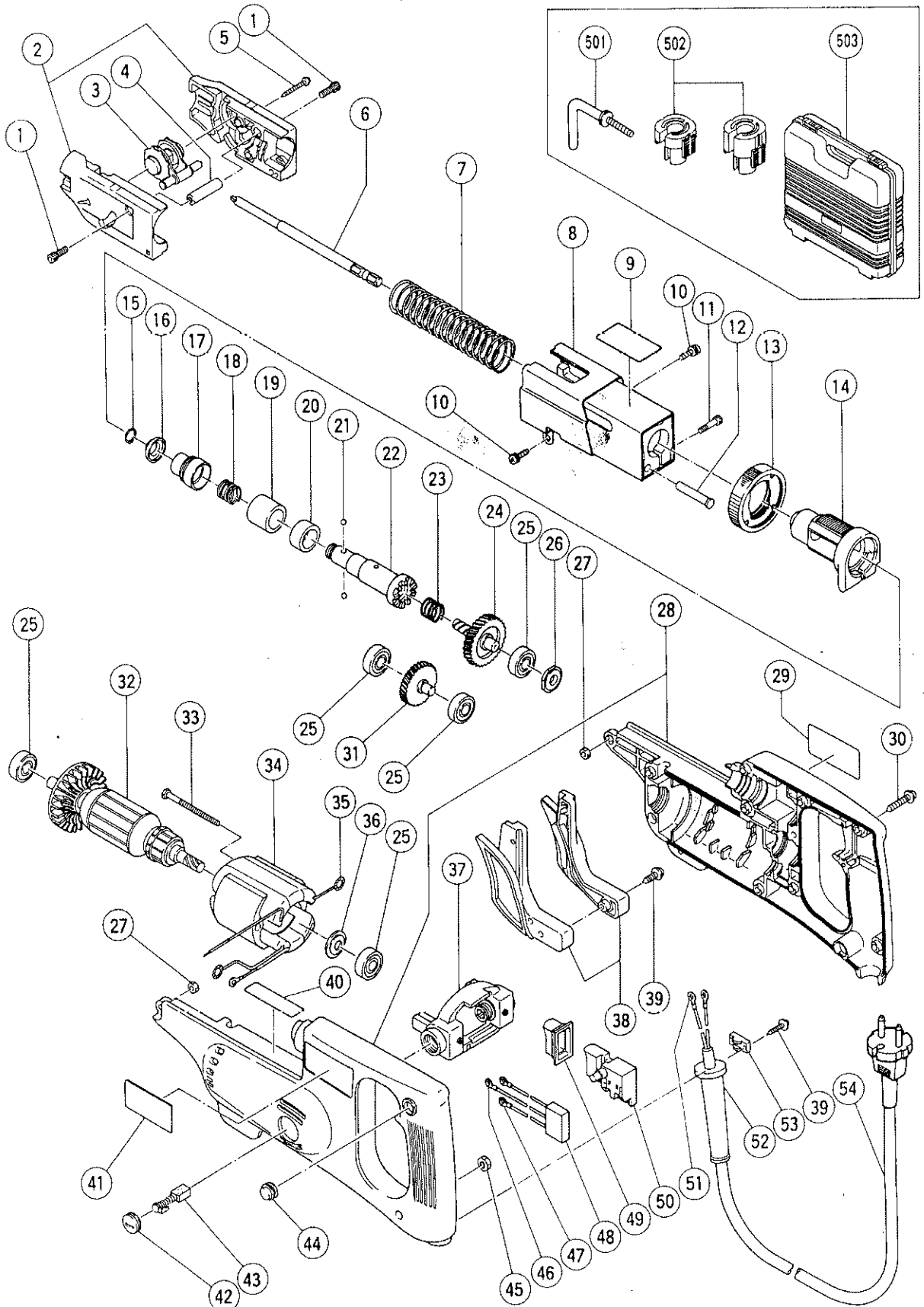
HITACHI

LIST NO. 0774

ELECTRIC TOOL PARTS LIST

■ AUTOMATIC SCREWDRIVER
Model W 4YE

1995 • 5 • 30
(E1)



PARTS

W 4YE

ITEM NO.	CODE NO.	DESCRIPTION	NO. USED	REMARKS
1	983-182	SEAL LOCK HEX. SOCKET HD. BOLT M4X12	2	
2	307-024	SLIDER (A).(B) SET	1	
3	307-027	SPROCKET	1	
4	307-031	STOPPER PIN (B)	1	
5	307-028	TAPPING SCREW (W/FLANGE) D4X25 (BLACK)	3	
6	307-011	+ DRIVER BIT NO.2 152L W/STEPPED ROD (10 PCS.)	1	
7	307-029	SLIDER SPRING	1	
8	307-030	CASE HOLDER	1	
9		LABEL (A)	1	
10	304-043	MACHINE SCREW (W/WASHERS) M4X10 (BLACK)	2	
11	949-754	HEX. SOCKET HD. BOLT M4X16 (10 PCS.)	1	
12	307-032	STOPPER PIN	1	
13	307-034	STOPPER	1	
14	307-033	CASE JOINT	1	
15	939-540	RETAINING RING FOR D10 SHAFT (10 PCS.)	1	
16	307-020	FRINGER	1	
	307-019	BIT HOLDER	1	
18	995-931	GUIDE SPRING	1	
19	307-018	METAL D15X19	1	
20	310-890	SLEEVE	1	
21	959-148	STEEL BALL D3.175 (10 PCS.)	2	
22	310-891	SOCKET	1	
23	303-890	SPRING	1	
24	307-014	FINAL GEAR	1	
25	608-VVM	BALL BEARING 608VVMC2EPS2L	5	
26	303-887	WASHER (A)	1	
27	949-585	LOCK NUT M4 (10 PCS.)	2	
28	310-892	HOUSING (A).(B) SET	1	
29		NAME PLATE	1	
30	301-653	TAPPING SCREW (W/FLANGE) D4X20 (BLACK)	10	
31	307-012	SPINDLE GEAR	1	
* 32	360-371C	ARMATURE 110V	1	
* 32	360-371E	ARMATURE 230V	1	
* 32	360-371F	ARMATURE 240V	1	
33	981-421	HEX. HD. TAPPING SCREW D4X55	2	
* 34	340-331C	STATOR ASS'Y 110V	1	INCLUD.35
* 34	340-331E	STATOR ASS'Y 230V	1	INCLUD.35
* 34	340-331F	STATOR ASS'Y 240V	1	INCLUD.35
35	930-830	BRUSH TERMINAL	2	
36	310-880	DUST WASHER	1	
37	307-344	BRUSH HOLDER	1	
38	307-023	BELT GUIDE (A).(B) SET	1	
39	984-750	TAPPING SCREW (W/FLANGE) D4X16	3	
40		LABEL (B)	1	
41		HITACHI LABEL	1	
42	937-847	BRUSH CAP	2	
43	999-021	CARBON BRUSH (1 PAIR)	2	
44	305-407	RUBBER COVER (B)	1	
45	949-566	LOCK NUT M5 (10 PCS.)	1	
* 46	959-144	TERMINAL 50051 (10 PCS.)	1	FOR NOISE SUPPRESSOR
* 47	980-083	TERMINAL	2	FOR NOISE SUPPRESSOR

*: ALTERNATIVE PARTS

5-95

