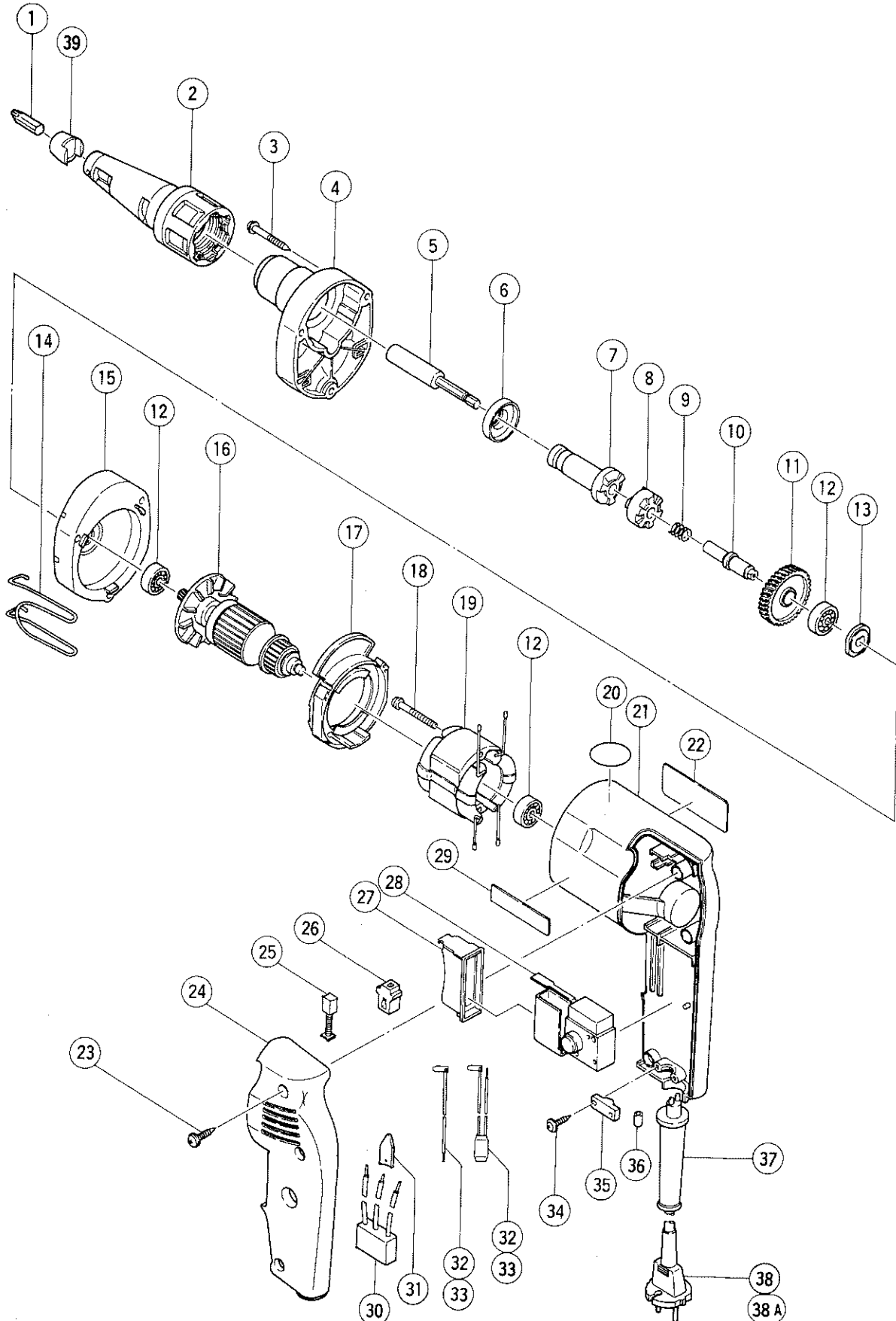


## ELECTRIC TOOL PARTS LIST

■ SCREW DRIVER  
Model W 6V2

1993 · 5 · 31  
(E2)



## PARTS

W 6V2

ITEM NO.	CODE NO.	DESCRIPTION	NO. USED	REMARKS
1	971-511Z	+ DRIVER BIT (A) NO.2 25L	1	
2	982-555Z	LOCATOR (A)	1	
3	303-694	TAPPING SCREW (W/FLANGE) D4X35	3	
4	303-693	GEAR COVER	1	
5	982-554Z	MAGNETIC BIT HOLDER	1	
6	971-468	FRINGER (A)	1	
7	303-692	SOCKET	1	
8	303-691	CLUTCH DISC	1	
9	303-690	SPRING	1	
10	303-689	GEAR SHAFT	1	
11	303-688	GEAR (A)	1	
12	608-VVM	BALL BEARING 608VVMC2EPS2L	3	
13	303-687	WASHER (A)	1	
14	950-511	HOOK	1	
15	303-686	INNER COVER	1	
*	16	360-210U	ARMATURE ASS'Y 110V - 127V	1 INCLUD.12
*	16	360-210E	ARMATURE 220V - 230V	1
*	16	360-210F	ARMATURE 240V	1
*	16	360-209	ARMATURE 100V	1 FOR KOR
	17	303-685	FAN GUIDE	1
	18	992-631	TAPPING SCREW (W/SP. WASHER) D4X50	2
*	19	340-224J	STATOR 110V - 115V	1
*	19	340-224D	STATOR 120V - 127V	1
*	19	340-224G	STATOR 220V - 230V	1
*	19	340-224H	STATOR 240V	1
*	19	340-223	STATOR 100V	1 FOR KOR
*	20		MARK PLATE	1 FOR SWE
	21	303-684	HOUSING	1
	22		NAME PLATE	1
	23	301-653	TAPPING SCREW (W/FLANGE) D4X20	3
	24	303-695	HANDLE COVER	1
*	25	999-041	CARBON BRUSH (1 PAIR)	2
*	25	999-080	CARBON BRUSH (AUTO STOP TYPE) (1 PAIR)	2 FOR USA
	26	930-483	BRUSH HOLDER	2
	27	303-696	SWITCH RUBBER COVER	1
*	28	303-697	SWITCH (J) (2P PILLAR TYPE) W/LOCK	1 100V - 127V
*	28	303-698	SWITCH (K) (2P PILLAR TYPE) W/LOCK	1 220V - 240V
	29		HITACHI LABEL	1
*	30	994-273	NOISE SUPPRESSOR	1 FOR GBR,ITA,FRG,FRA,HOL,SUI,DEN,FIN, SWE,NOR,KOR
*	31	992-635	EARTH TERMINAL	1 FOR NOISE SUPPRESSOR
*	32	303-699	INTERNAL WIRE CHOKE COIL	1
*	32	303-700	INTERNAL WIRE CHOKE COIL	1 FOR GBR,ITA,FRG,FRA,HOL,DEN,FIN,SWE, NOR,KOR
*	32	305-196	INTERNAL WIRE CHOKE COIL	1 FOR SUI
*	33	303-701	INTERNAL WIRE CHOKE COIL	1
*	33	303-702	INTERNAL WIRE CHOKE COIL	1 FOR GBR,ITA,FRG,FRA,HOL,DEN,FIN,SWE, NOR,SUI,KOR
	34	984-750	TAPPING SCREW (W/FLANGE) D4X16	2
	35	937-631	CORD CLIP	1
*	36	981-373	TUBE (D)	2 FOR CORD

\*: ALTERNATIVE PARTS

**PARTS**

W 6V2

ITEM NO.	CODE NO.	DESCRIPTION	NO. USED	REMARKS
* 37	953 - 327	CORD ARMOR D8.8	1	
* 37	938 - 051	CORD ARMOR D10.1	1	
* 38	500 - 409Z	CORD	1	(CORD ARMOR D8.8)
* 38	500 - 240Z	CORD	1	(CORD ARMOR D8.8) FOR USA,CAN
* 38	500 - 421Z	CORD	1	(CORD ARMOR D8.8) FOR SIN,KUW
* 38	500 - 228Z	CORD	1	(CORD ARMOR D8.8) FOR NGU,AUS
* 38	500 - 245Z	CORD	1	(CORD ARMOR D10.1) FOR SYR
* 38	500 - 231Z	CORD	1	(CORD ARMOR D8.8) FOR GBR (110V)
* 38	500 - 395Z	CORD	1	(CORD ARMOR D8.8)FOR SUI
* 38	500 - 212Z	CORD	1	(CORD ARMOR D8.8)FOR KOR
* 38A	500 - 436Z	CORD	1	(CORD ARMOR D8.8) FOR GBR (240V)
* 39	305 - 690	RUBBER RING	1	FOR GBR,FRG,FRA,HOL,DEN,FIN,SWE

**OPTIONAL ACCESSORIES**

ITEM NO.	CODE NO.	DESCRIPTION	NO. USED	REMARKS
601	982 - 568Z	LOCATOR	1	
602	982 - 563Z	NON - MAGNETIC BIT HOLDER	1	
603	985 - 333	+ DRIVER BIT NO.1 25L	1	
604	971 - 512Z	+ DRIVER BIT (A) NO.3 25L	1	
605	985 - 334	+ DRIVER BIT NO.1 25L W/STEPPED ROD	1	
606	985 - 335	+ DRIVER BIT NO.2 25L W/STEPPED ROD	1	
607	982 - 569	CASE (STEEL) ASS'Y	1	

\* : ALTERNATIVE PARTS