

Hitachi Power Tools

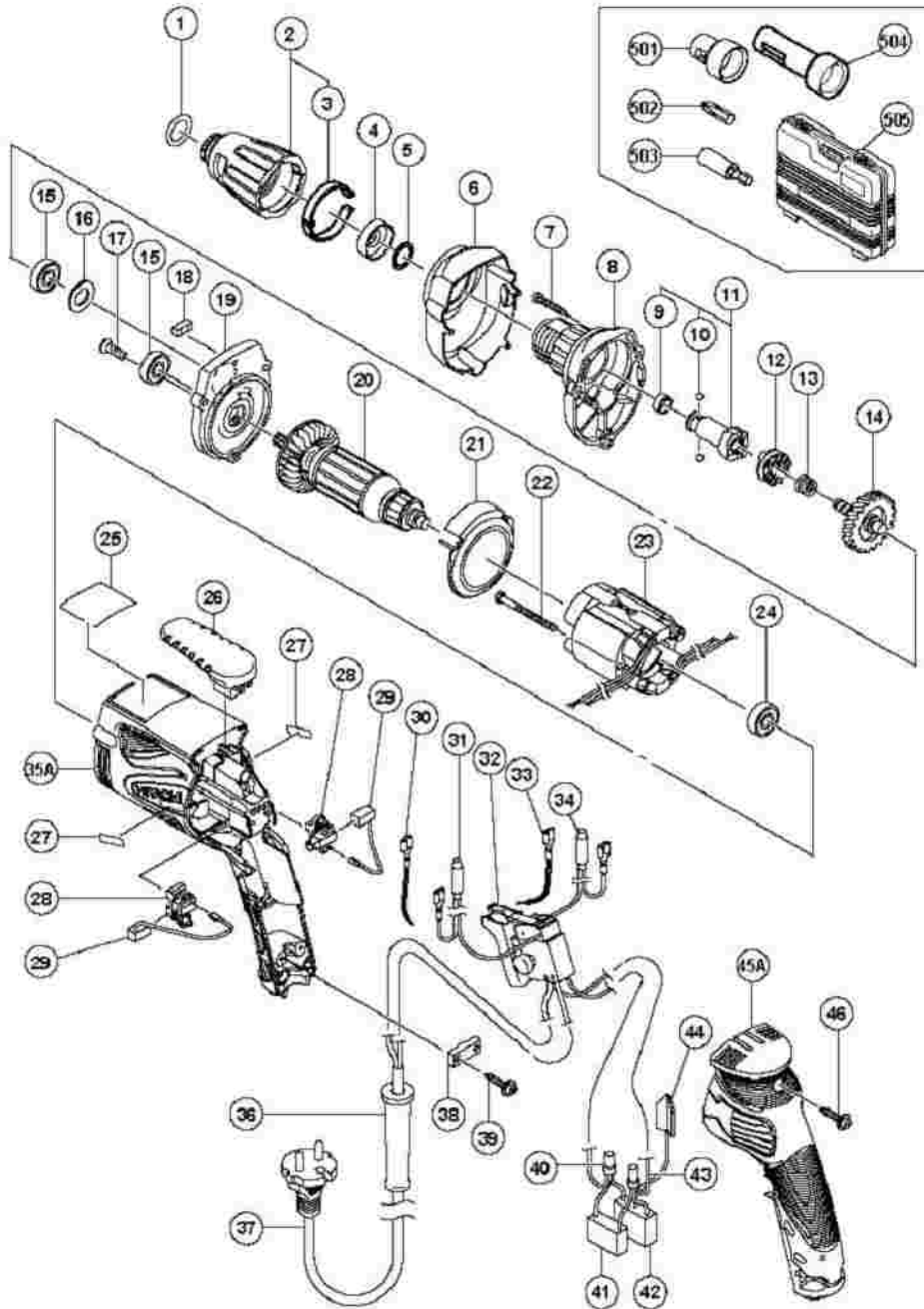
LIST NO. E701

ELECTRIC TOOL PARTS LIST

■ SCREW DRIVER
Model W 6V4

2006·12·1

(E1-1)



W6V4

Pos. Nr.	Art. Nr.	Beschreibung	Stueck	Kommentar	Beschre
1	876-031	O-RING (S-16) FCJ55V	1		O-RING
2	323-487		1	INCLUD.3	LOCATC ASS'Y
3	323-488		1		CLICK SPRING
4	971-468	STAUBSCHUTZ (A) W6VA2	1		FRINGEL
5	317-662	O-RING (F) W6V3/W6VA3	1		O-RING
6	323-558		1		PROTEC COVER (
7	321-057		3		TAPPING SCREW D4X25 (BLACK
8	323-486		1	INCLUD.5	GEAR C (A) ASS"
9	872-573	KLEMMRING W6V3/VA3/VB2	1		SET RIN
10	959-148	STAHLKUGEL D3.175 (10ST)	2		STEEL B D3.175 (1 PCS.)
11	323-491		1	"INCLUD.9,10"	SOCKET ASS'Y
11	323-482		1	"INCLUD.9,10 FOR TPE,THA,HKG,KOR"	SOCKET ASS'Y
12	323-476		1		CLUTCH
13	306-024	FEDER W6V3/VA3	1		SPRING
14	323-485		1		GEAR SI
15	608-VVM	KUGELLAGER 608 VVM	2		BALL BEARIN 608VVC:
16	933-545	UNTERLEGSCHIEBE (A) WF4DY	1		WASHEI
17	323-556		2		SLOTTE SCREW (LOCK) M
18	323-557		1		FELT (A
	323-				INNER

19	473		1	INCLUD.15-18	COVER . (A)
20	360-672		1		ARMATU (A) 110V
20	360-673U		1	"INCLUD.15,24"	ARMATU ASS'Y (A) 120V
20	360-673E		1		ARMATU (A) 220V
20	360-673F		1		ARMATU (A) 240V
21	323-472		1		FAN GU.
22	961-672	SECHSKANTSCHNEIDSCHRAUBE D4X50	2		HEX. HD TAPPING SCREW D4X50
23	340-599C		1		STATOR 110V-120V
23	340-599E		1		STATOR 220V-240V
24	608-VVM	KUGELLAGER 608 VVM	1		BALL BEARIN 608VVC
25			1		NAME P
26	323-471		1		HOOK
27			2		HITACH LABEL
28	323-512		2		BRUSH HOLDEF
29	999-091		2		CARBON BRUSH (AUTO S TYPE) (1 PAIR)
30	323-489		1	"FOR THA,HKG,KUW,USA,CAN"	INTERN. WIRE (BROWN
31	323-480		1	"EXCEPT FOR THA,HKG,KUW,USA,CAN"	CHOKE (W/INTE WIRE) BROWN
32	323-479		1		SWITCH PILLAR TYPE) W/LOCK
	323-			"FOR	INTERN.

33	490		1	THA,HKG,KUW,USA,CAN"	WIRE (B
34	323-481		1	"EXCEPT FOR THA,HKG,KUW,USA,CAN"	CHOKE (W/INTE WIRE) B
35A	326-671		1		HOUSIN
36	953-327	KABELKNICKSCHUTZ D8.8 DIV.TYPEN	1		CORD ARMOR
37	323-559		1	(CORD ARMOR D8.8)	CORD (LENGT 7.5M)
37	500-468Z		1	(CORD ARMOR D8.8) FOR THA	CORD
37	500-423Z		1	(CORD ARMOR D8.8) FOR KUW	CORD
37	320-130		1	"(CORD ARMOR D8.8) FOR USA,CAN"	CORD (LENGT 7.5M)
37	500-435Z		1	(CORD ARMOR D8.8) FOR HKG	CORD
37	500-409Z	ANSCHLUSSKABEL MIT STECKER	1	(CORD ARMOR D8.8) FOR KOR	CORD
37	500-470Z		1	(CORD ARMOR D8.8) FOR TPE	CORD
37	323-561		1	(CORD ARMOR D8.8) FOR AUS	CORD (LENGT 7.5M)
37	323-562		1	(CORD ARMOR D8.8) FOR GBR (110V)	CORD (LENGT 7.5M)
37	323-560		1	(CORD ARMOR D8.8) FOR GBR (230V)	CORD (LENGT 7.5M)
38	937-631	KABELKLEMME DIV.TYPEN	1		CORD C
39	984-750	SCHNEIDSCHRAUBE D4X16 MIT FLANSCH	2		TAPPING SCREW (W/FLAN D4X16
40	959-140	VERBINDER 50091 (10ST) DIV.TYPEN	2	"EXCEPT FOR THA,HKG,KUW,USA,CAN"	CONNEC 50091 (10 PCS.)
41	930-039	KONDENSATOR C6U-C13U u.a.	1	"EXCEPT FOR THA,HKG,KUW,USA,CAN"	NOISE SUPPRE
42	994-273	KONDENSATOR DIV.TYPEN	1	"EXCEPT FOR THA,HKG,KUW,USA,CAN"	NOISE SUPPRE
43	317-667	VERBINDERKABEL W6V3/VA3	2	"EXCEPT FOR THA,HKG,KUW,USA,CAN"	INTERN. WIRE

44	992-635	ERDKLEMME DW15Y/SV12V u.a.	1	"EXCEPT FOR THA,HKG,KUW,USA,CAN"	EARTH TERMIN
45A	326-672		1		HANDLI COVER
46	301-653	SCHNEIDSCHRAUBE D4X20 MIT FLANSCH	3		TAPPING SCREW (W/FLAN D4X20 (BLACK
501	323-352		1	"EXCEPT FOR HKG,AUS,HOL,USA,CAN"	SUB STC (G)
502	971-511Z		1		+ DRIVE (A) NO.2
503	317-674	BITHALTER (MAGNETISCH) L=41MM	1	INCLUD.502	MAGNE' BIT HOL ASS'Y (4
503	323-354		1	"INCLUD.502 FOR TPE,THA,KOR"	MAGNE' BIT HOL ASS'Y (4
503	982-554Z	BITHALTER (MAGNETISCH) L=65MM	1	"FOR AUS,HOL,USA,CAN"	MAGNE' BIT HOL (75L)
503	323-353		1	INCLUD.502 FOR HKG	MAGNE' BIT HOL ASS'Y (8
504	323-351		1	"FOR HKG,AUS,HOL,USA,CAN"	SUB STC (F)
505	310-904	TRANSPORTKOFFER DV14V/DV20V2 u.a.	1	FOR ESP	CASE
601	317-670	TIEFENANSCHLAG (B) W6VB2/V3/VA3	1		SUB STC (B) FOR H3/8 H1 HEX. SO
602	317-671		1		SUB STC (B) FOR HEX. SO
603	317-827		1		SUB STC (B) H1/4 SOCKET
604	985-330	"STECKSCHLÜSSEL SW 3/8""X65 (MAGN)"	1	"EXCEPT FOR TPE,THA,HKG,KOR"	"MAGNE HEX. SO 3/8""X65
605	985-321	STECKSCHLÜSSEL SW10X65L (MAGNET)	1	"EXCEPT FOR TPE,THA,HKG,KOR"	MAGNE' HEX. SO 10MMX6
606	985-322	"STECKSCHLÜSSEL SW 5/16""X65 (MAG)"	1	"EXCEPT FOR TPE,THA,HKG,KOR"	"MAGNE HEX. SO 5/16""X6

607	985-332	"STECKSCHLÜSSEL SW 1/4" X65 (MAGN)"	1	"EXCEPT FOR TPE,THA,HKG,KOR"	"MAGNE HEX. SO 1/4" X65
608	985-326	"STECKSCHLÜSSEL SW 3/8" X 65"	1	"EXCEPT FOR TPE,THA,HKG,KOR"	"NON-MAGNE' HEX. SO 3/8" 65L
609	985-329	STECKSCHLÜSSEL SW10X65L	1	"EXCEPT FOR TPE,THA,HKG,KOR"	NON-MAGNE' HEX. SO 10MM 65L
610	985-327	"STECKSCHLÜSSEL SW 5/16" X65"	1	"EXCEPT FOR TPE,THA,HKG,KOR"	"NON-MAGNE' HEX. SO 5/16" 65L
611	985-328	"STECKSCHLÜSSEL SW 1/4" X65L"	1	"EXCEPT FOR TPE,THA,HKG,KOR"	"NON-MAGNE' HEX. SO 1/4" 65L
612	982-563Z	BITHALTER (UNMAGNETISCH) L=65MM	1	"EXCEPT FOR TPE,THA,HKG,KOR"	NON-MAGNE' BIT HOL
613	323-355		1	"FOR TPE,THA,HKG,KOR"	MAGNE' HEX. SO 10MMX7
614	323-356		1	"FOR TPE,THA,HKG,KOR"	"MAGNE' HEX. SO 5/16" X7
615	985-333	+BIT NR.1 L25	1		+ DRIVE NO.1 25I
616	971-512Z		1		+ DRIVE (A) NO.3
617	985-334		1		+ DRIVE NO.1 25I W/STEP ROD
618	985-335		1		+ DRIVE NO.2 25I W/STEP ROD
619	985-336		1		- DRIVE 4MMX25
620	985-337		1		- DRIVE 5MMX25
621	985-338		1		- DRIVE 6MMX25
622	985-339		1		- DRIVE 8MMX25
					- DRIVE

623	985-340		1		4MMX25 (W/STEP ROD)
624	985-341		1		- DRIVE 5MMX25 (W/STEP ROD)
625	985-342		1		HEX. BI 4MMX25
626	985-343		1		HEX. BI 5MMX25
627	985-344		1		HEX. BI 6MMX25
628	310-904	TRANSPORTKOFFER DV14V/DV20V2 u.a.	1		CASE