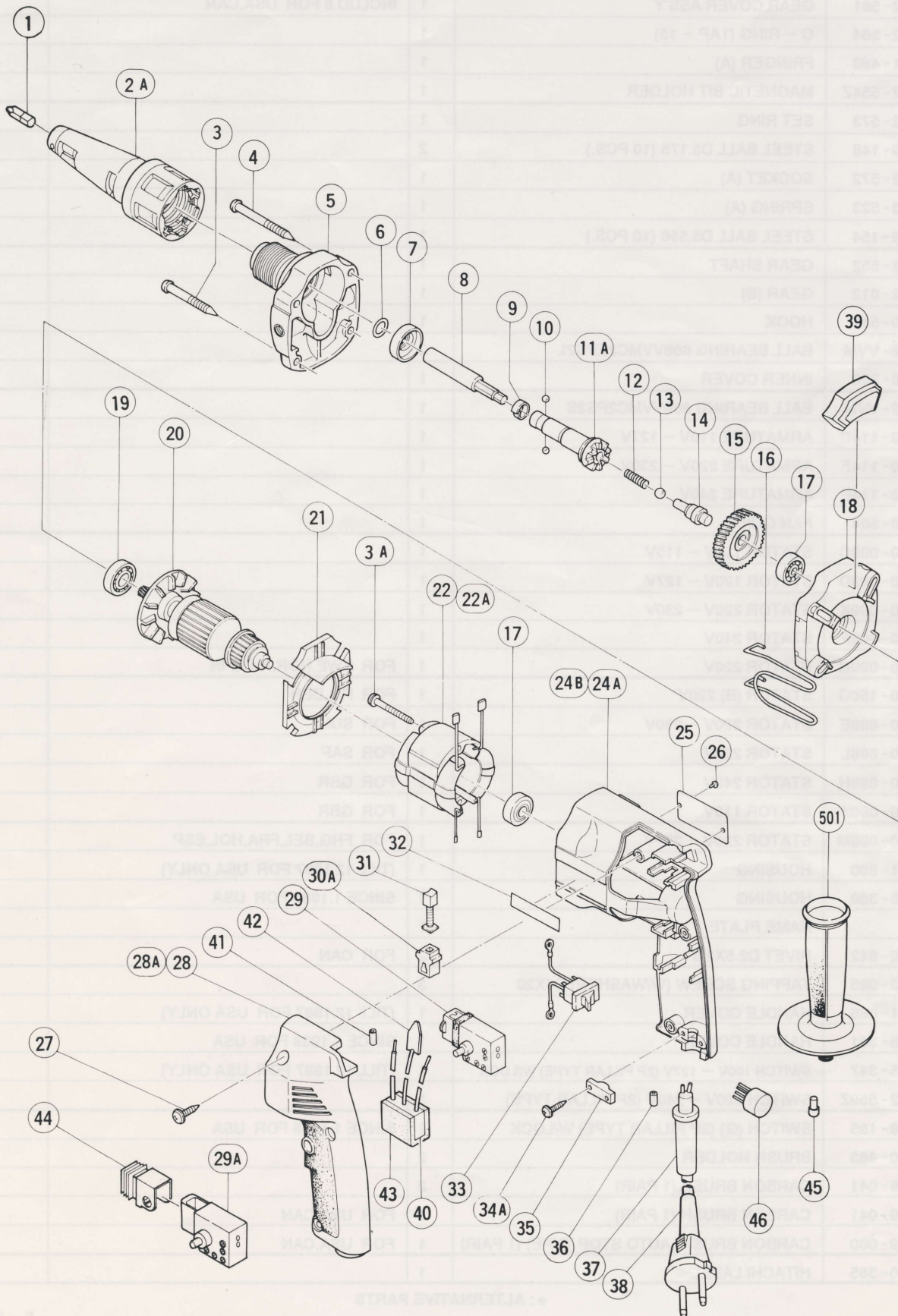


ELECTRIC TOOL PARTS LIST

■ SCREW DRIVER
Model W 6VA1

1993 · 5 · 31
(E6)



PARTS

W 6VA1

| ITEM NO. | CODE NO. | DESCRIPTION | NO. USED | REMARKS |
|----------|----------|------------------------------------|----------|---|
| 1 | 971-511Z | + DRIVER BIT (A) NO.2 25L | 1 | |
| 2A | 982-555Z | LOCATOR (A) | 1 | |
| 3 | 950-514 | TAPPING SCREW D4X40 | 2 | |
| 3A | 992-630 | TAPPING SCREW (W/SP. WASHER) D4X40 | 2 | |
| 4 | 950-515 | TAPPING SCREW D4X50 | 2 | |
| * | 5 | 982-562Z | 1 | INCLUD.6 |
| * | 5 | 982-561 | 1 | INCLUD.6 FOR USA,CAN |
| | 6 | 982-564 | 1 | O - RING (1AP - 15) |
| | 7 | 971-468 | 1 | FRINGER (A) |
| | 8 | 982-554Z | 1 | MAGNETIC BIT HOLDER |
| | 9 | 872-573 | 1 | SET RING |
| | 10 | 959-148 | 2 | STEEL BALL D3.175 (10 PCS.) |
| | 11A | 982-572 | 1 | SOCKET (A) |
| | 12 | 943-523 | 1 | SPRING (A) |
| | 13 | 959-154 | 1 | STEEL BALL D5.556 (10 PCS.) |
| | 14 | 982-552 | 1 | GEAR SHAFT |
| | 15 | 982-612 | 1 | GEAR (B) |
| | 16 | 950-511 | 1 | HOOK |
| | 17 | 608-VVM | 2 | BALL BEARING 608VVMC2EPS2L |
| | 18 | 998-500 | 1 | INNER COVER |
| | 19 | 609-VVM | 1 | BALL BEARING 609VVMC2PS2S |
| * | 20 | 360-114C | 1 | ARMATURE 110V - 127V |
| * | 20 | 360-114E | 1 | ARMATURE 220V - 230V |
| * | 20 | 360-114F | 1 | ARMATURE 240V |
| | 21 | 950-504 | 1 | FAN GUIDE |
| * | 22 | 340-099C | 1 | STATOR 110V - 115V |
| * | 22 | 340-099D | 1 | STATOR 120V - 127V |
| * | 22 | 340-099K | 1 | STATOR 220V - 230V |
| * | 22 | 340-099F | 1 | STATOR 240V |
| * | 22 | 340-099G | 1 | FOR SWE,NOR,AUT,FIN |
| * | 22 | 340-150G | 1 | FOR ITA,DEN |
| * | 22 | 340-099E | 1 | FOR SUI |
| * | 22 | 340-099L | 1 | FOR SAF |
| * | 22 | 340-099H | 1 | FOR GBR |
| * | 22 | 340-099J | 1 | FOR GBR |
| * | 22A | 340-099M | 1 | FOR FRG,BEL,FRA,HOL,ESP |
| * | 24A | 991-880 | 1 | HOUSING (TILL 12.1987 FOR USA ONLY) |
| * | 24B | 995-360 | 1 | HOUSING SINCE 1.1988 FOR USA |
| | 25 | | 1 | NAME PLATE |
| * | 26 | 932-642 | 2 | RIVET D2.5X2.8 FOR CAN |
| | 27 | 982-095 | 3 | TAPPING SCREW (W/WASHER) D4X20 |
| * | 28 | 991-885 | 1 | HANDLE COVER (TILL 12.1987 FOR USA ONLY) |
| * | 28A | 995-361 | 1 | HANDLE COVER SINCE 1.1988 FOR USA |
| * | 29 | 985-347 | 1 | SWITCH 100V - 127V (2P PILLAR TYPE) W/LOCK (TILL 12.1987 FOR USA ONLY) |
| * | 29 | 982-559Z | 1 | SWITCH 220V - 240V (2P PILLAR TYPE) |
| * | 29A | 998-185 | 1 | SWITCH (G) (2P PILLAR TYPE) W/LOCK SINCE 1.1988 FOR USA |
| | 30A | 930-483 | 2 | BRUSH HOLDER |
| * | 31 | 999-041 | 2 | CARBON BRUSH (1 PAIR) |
| * | 31 | 999-041 | 1 | CARBON BRUSH (1 PAIR) FOR USA,CAN |
| * | 31 | 999-080 | 1 | CARBON BRUSH (AUTO STOP TYPE) (1 PAIR) FOR USA,CAN |
| | 32 | 950-565 | 1 | HITACHI LABEL |

*: ALTERNATIVE PARTS

PARTS

W 6VA1

| ITEM NO. | CODE NO. | DESCRIPTION | NO. USED | REMARKS |
|----------|----------|--------------------------------|----------|--|
| * 33 | 992-636 | REVERSING SWITCH | 1 | |
| * 33 | 995-350 | REVERSING SWITCH | 1 | FOR EUROPE,SAF |
| 34A | 984-750 | TAPPING SCREW (W/FLANGE) D4X16 | 2 | |
| 35 | 937-631 | CORD CLIP | 1 | |
| 36 | 981-373 | TUBE (D) | 2 | FOR CORD |
| * 37 | 930-487 | CORD ARMOR D8.2 | 1 | |
| * 37 | 980-193 | CORD ARMOR D10.2 | 1 | |
| * 38 | 500-212Z | CORD | 1 | (CORD ARMOR D8.2) |
| * 38 | 500-223Z | CORD | 1 | (CORD ARMOR D10.2) FOR SIN,KUW |
| * 38 | 500-226Z | CORD | 1 | (CORD ARMOR D10.2) FOR OCEANIA |
| * 38 | 500-231Z | CORD | 1 | (CORD ARMOR D8.2) FOR GBR,SAF |
| * 38 | 500-245Z | CORD | 1 | (CORD ARMOR D10.2) FOR SYR |
| * 38 | 500-247Z | CORD | 1 | (CORD ARMOR D10.2) FOR DEN,FIN,SWE,NOR |
| * 38 | 500-409Z | CORD | 1 | (CORD ARMOR D8.2) FOR EUROPE,INA,SUR |
| * 38 | 500-415Z | CORD | 1 | (CORD ARMOR D8.2) FOR USA,CAN |
| * 39 | 971-526Z | WIND COVER | 1 | FOR FRG |
| * 40 | 994-273 | NOISE SUPPRESSOR | 1 | |
| * 41 | 981-373 | TUBE (D) | 1 | FOR NOISE SUPPRESSOR |
| * 42 | 992-635 | EARTH TERMINAL | 1 | FOR NOISE SUPPRESSOR |
| * 43 | 930-153 | SUPPORT (B) | 1 | FOR NOISE SUPPRESSOR |
| * 44 | 995-362 | SWITCH RUBBER COVER | 1 | FOR USA |
| * 45 | 959-140 | CONNECTOR 50091 (10 PCS.) | 2 | FOR SAF |
| * 46 | 955-908 | CHOKE COIL | 1 | FOR SAF |
| | | | | |
| | | | | |

STANDARD ACCESSORIES

| ITEM NO. | CODE NO. | DESCRIPTION | NO. USED | REMARKS |
|----------|----------|-------------|----------|--------------------|
| * 501 | 994-322 | SIDE HANDLE | 1 | EXCEPT FOR USA,CAN |
| | | | | |
| | | | | |
| | | | | |
| | | | | |
| | | | | |
| | | | | |
| | | | | |
| | | | | |

OPTIONAL ACCESSORIES

| ITEM NO. | CODE NO. | DESCRIPTION | NO. USED | REMARKS |
|----------|----------|---------------------------|----------|---------|
| 601 | 982-588Z | LOCATOR | 1 | |
| 602 | 982-563Z | NON - MAGNETIC BIT HOLDER | 1 | |
| 603 | 971-512Z | + DRIVER BIT (A) NO.3 25L | 1 | |
| 604 | 982-589 | CASE (STEEL) ASS'Y | 1 | |
| | | | | |
| | | | | |

* : ALTERNATIVE PARTS