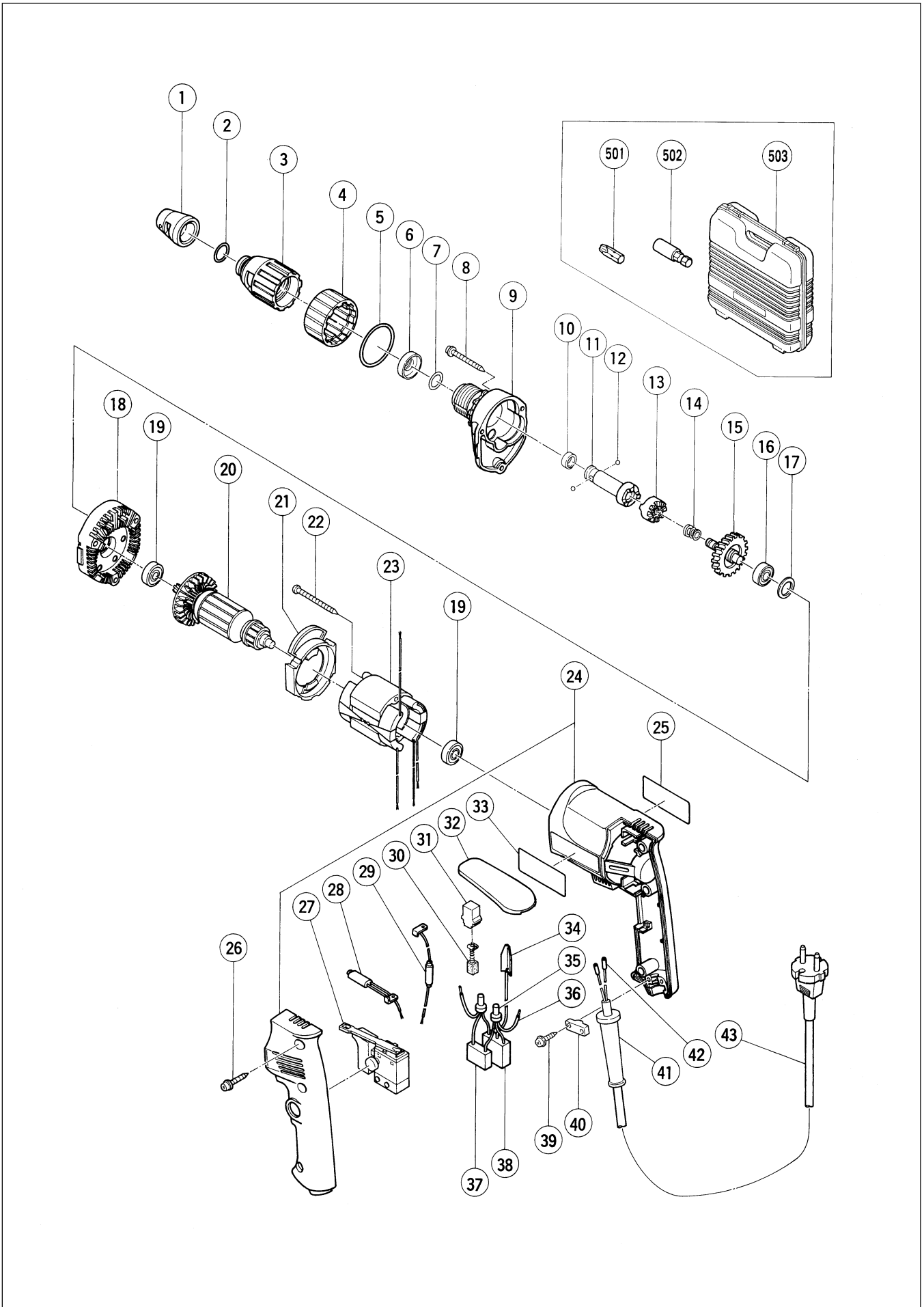


Assembly Diagram for W 6VA3



PARTS

W 6VA3

ITEM NO.	CODE NO.	DESCRIPTION	NO. USED	REMARKS	
*	1	317-672	SUB STOPPER (A) FOR BIT HOLDER (41L)	1	FOR TPE,NZL,GBR,SAF,ITA,FRG,FRA,HOL, FIN,AUT,NOR,SWE,DEN,ESP,SUI
*	1	317-673	SUB STOPPER (C) FOR BIT HOLDER (75L)	1	FOR AUS,FRG,CHN
*	1	318-629	SUB STOPPER (E) FOR BIT HOLDER	1	FOR USA,CAN
	2	876-031	O-RING (S-16)	1	
	3	317-666	LOCATOR (A)	1	
	4	317-665	LOCK SLEEVE (A)	1	
	5	873-731	O-RING (S-28)	1	
	6	971-468	FRINGER (A)	1	
	7	317-662	O-RING (F)	1	
	8	306-664	TAPPING SCREW (W/FLANGE) D4X40	3	
	9	318-342	GEAR COVER ASS'Y	1	INCLUD.7
	10	872-573	SET RING	1	
	11	318-341	SOCKET (A) ASS'Y	1	INCLUD.10,12
	12	959-148	STEEL BALL D3.175 (10 PCS.)	2	
	13	307-016	CLUTCH DISC	1	
	14	306-024	SPRING	1	
	15	318-346	GEAR	1	
	16	608-VVM	BALL BEARING 608VVC2PS2L	1	
	17	987-641	WASHER (A)	1	
	18	318-339	INNER COVER ASS'Y	1	INCLUD.16,17
	19	608-VVM	BALL BEARING 608VVC2PS2L	2	
*	20	360-512C	ARMATURE 110V	1	
*	20	360-511U	ARMATURE ASS'Y 115V	1	INCLUD.19
*	20	360-512E	ARMATURE 220V-230V	1	
*	20	360-512F	ARMATURE 240V	1	
	21	305-398	FAN GUIDE (B)	1	
	22	950-515	TAPPING SCREW D4X50	2	
*	23	340-436C	STATOR 110V-115V	1	
*	23	340-436E	STATOR 220V-230V	1	
*	23	340-224F	STATOR 240V	1	
	24	317-659	HOUSING.HANDLE COVER SET	1	
	25		NAME PLATE	1	
	26	302-086	TAPPING SCREW (W/FLANGE) D4X20 (BLACK)	3	
*	27	314-916	SPEED CONTROL SWITCH (2P) 100V-115V	1	
*	27	314-921	SPEED CONTROL SWITCH (2P) 220V-240V	1	
*	28	317-668	INTERNAL WIRE (A)	1	
*	28	314-917	INTERNAL WIRE (B) (BLUE)	1	FOR USA,CAN
*	29	317-669	INTERNAL WIRE (B)	1	
*	29	314-918	INTERNAL WIRE (B) (BROWN)	1	FOR USA,CAN
*	30	999-041	CARBON BRUSH (1 PAIR)	2	
*	30	999-072	CARBON BRUSH (AUTO STOP TYPE) (1 PAIR)	2	FOR USA,CAN
	31	955-203	BRUSH HOLDER	2	
	32	317-676	HOOK (A)	1	
	33		HITACHI LABEL	1	
	34	992-635	EARTH TERMINAL	1	FOR NOISE SUPPRESSOR
	35	959-140	CONNECTOR 50091 (10 PCS.)	2	
	36	317-667	INTERNAL WIRE	2	
	37	930-039	NOISE SUPPRESSOR	1	
	38	994-273	NOISE SUPPRESSOR	1	
	39	305-812	TAPPING SCREW (W/FLANGE) D4X16 (BLACK)	2	

* : ALTERNATIVE PARTS

10 - 99

