

Hitachi Power Tools

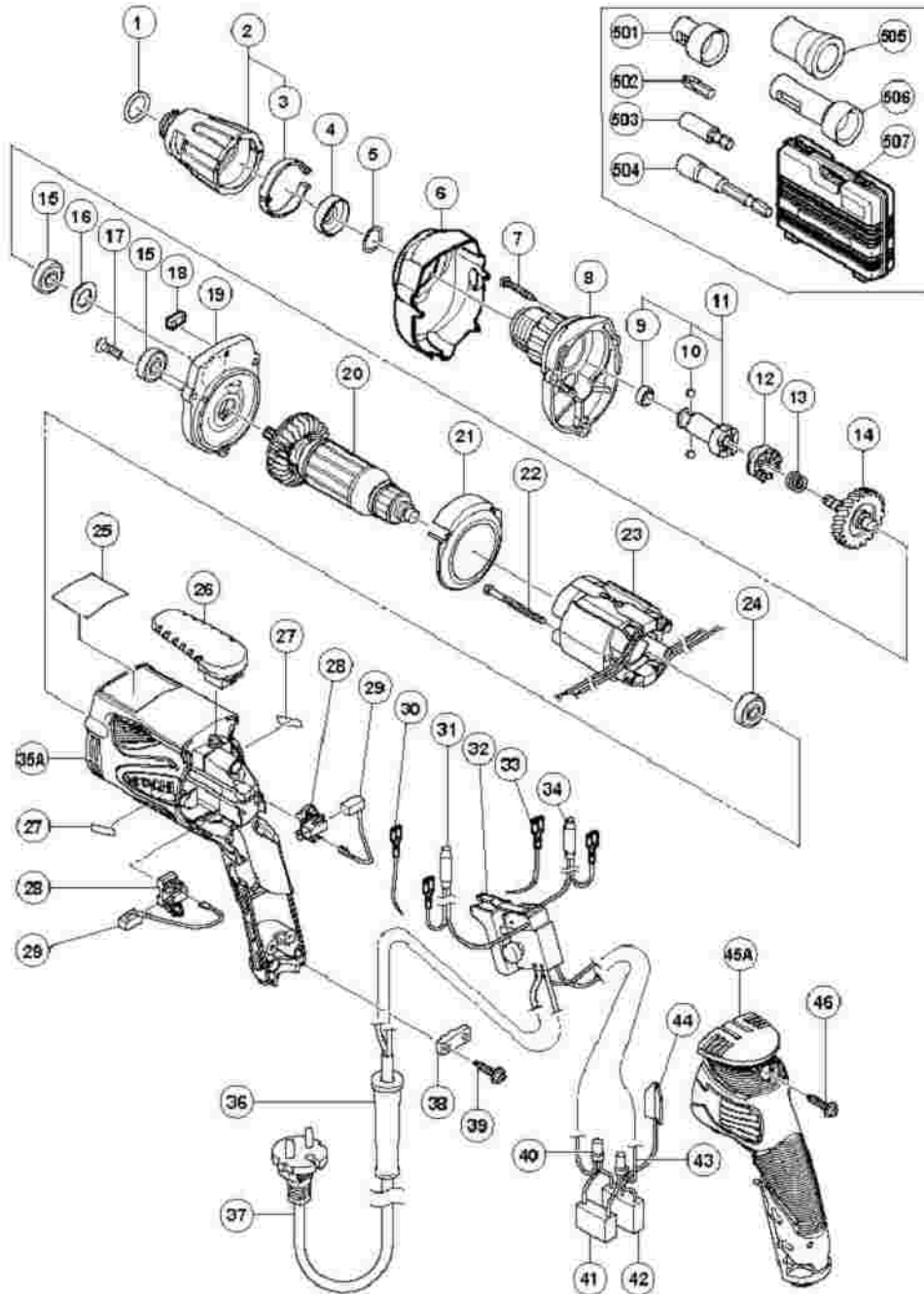
LIST NO. E702

ELECTRIC TOOL PARTS LIST

■ SCREW DRIVER
Model W 6VA4

2006·12·1

(E1-1)



W6VA4

| Pos. Nr. | Art. Nr. | Beschreibung | Stueck | Kommentar | Besc |
|----------|----------|---------------------------|--------|-------------------------------|---------------------|
| 1 | 876-031 | O-RING (S-16) FCJ55V | 1 | | O-RI |
| 2 | 323-487 | | 1 | INCLUD.3 | LOC/ ASS" |
| 3 | 323-488 | | 1 | | CLIC SPRI |
| 4 | 971-468 | STAUBSCHUTZ (A) W6VA2 | 1 | | FRIN |
| 5 | 317-662 | O-RING (F) W6V3/W6VA3 | 1 | | O-RI |
| 6 | 323-558 | | 1 | | PROT COV) |
| 7 | 321-057 | | 3 | | TAPF SCRE D4X2 (BLA |
| 8 | 323-486 | | 1 | INCLUD.5 | GEAL (A) A |
| 9 | 872-573 | KLEMMRING W6V3/VA3/VB2 | 1 | | SET I |
| 10 | 959-148 | STAHLKUGEL D3.175 (10ST) | 2 | | STEE D3.17 PCS.) |
| 11 | 323-491 | | 1 | "INCLUD.9,10" | SOCH ASS" |
| 11 | 323-482 | | 1 | "INCLUD.9,10 FOR TPE,SIN,HKG" | SOCH ASS" |
| 12 | 323-476 | | 1 | | CLUT |
| 13 | 306-024 | FEDER W6V3/VA3 | 1 | | SPRI |
| 14 | 323-474 | | 1 | | GEAL |
| 15 | 608-VVM | KUGELLAGER 608 VVM | 2 | | BALI BEAI 608V |
| 16 | 933-545 | UNTERLEGSCHIEBE (A) WF4DY | 1 | | WAS |
| 17 | 323-556 | | 2 | | SLOT SCRE LOCI |
| 18 | 323-557 | | 1 | | FELT |
| | 323- | | | | INNE |

| | | | | | |
|----|--------------|-----------------------------------|---|---|------------------------------------|
| 19 | 473 | | 1 | INCLUD.15-18 | COV (A) |
| 20 | 360- 670 | | 1 | | ARM (B) 10 |
| 20 | 360- 671U | | 1 | "INCLUD.15,24" | ARM ASS" 120V |
| 20 | 360- 671E | | 1 | | ARM (B) 22 |
| 20 | 360- 671F | | 1 | | ARM (B) 22 |
| 21 | 323- 472 | | 1 | | FAN |
| 22 | 961- 672 | SECHSKANTSCHNEIDSCHRAUBE D4X50 | 2 | | HEX. TAP SCRE D4X50 |
| 23 | 340- 599C | | 1 | | STAT 110V |
| 23 | 340- 599E | | 1 | | STAT 220V |
| 24 | 608- VVM | KUGELLAGER 608 VVM | 1 | | BALI BEA 608V |
| 25 | | | 1 | | NAM |
| 26 | 323- 471 | | 1 | | HOO |
| 27 | | | 2 | | HITA LABI |
| 28 | 323- 512 | | 2 | | BRU HOL |
| 29 | 999- 091 | | 2 | | CAR BRU (AUT TYPE PAIR |
| 30 | 323- 489 | | 1 | "FOR SAU,SIN,HKG,USA,CAN,IND" | INTE WIRE (BRO |
| 31 | 323- 480 | | 1 | "EXCEPT FOR SAU,SIN,HKG,USA,CAN,IND" | CHO (W/IN WIRE BRO |
| 32 | 323- 479 | | 1 | | SWIT PILL TYPE W/LC |
| | 323- | | | "FOR | INTE |

| | | | | | |
|-----|----------|-----------------------------------|---|--------------------------------------|----------------------|
| 33 | 490 | | 1 | SAU,SIN,HKG,USA,CAN,IND" | WIRE |
| 34 | 323-481 | | 1 | "EXCEPT FOR SAU,SIN,HKG,USA,CAN,IND" | CHOI (W/IN WIRE |
| 35A | 326-671 | | 1 | | HOU. |
| 36 | 953-327 | KABELKNICKSCHUTZ D8.8 DIV.TYPEN | 1 | | CORI ARM |
| 37 | 323-559 | | 1 | (CORD ARMOR D8.8) | CORI (LEN 7.5M |
| 37 | 500-409Z | ANSCHLUSSKABEL MIT STECKER | 1 | "(CORD ARMOR D8.8) FOR SAU,IND" | CORI |
| 37 | 500-423Z | | 1 | (CORD ARMOR D8.8) FOR SIN | CORI |
| 37 | 323-561 | | 1 | "(CORD ARMOR D8.8) FOR NZL,AUS" | CORI (LEN 7.5M |
| 37 | 500-247Z | ANSCHLUSSKABEL MIT STECKER | 1 | "(CORD ARMOR D8.8) FOR SAF,YEN" | CORI |
| 37 | 320-130 | | 1 | "(CORD ARMOR D8.8) FOR USA,CAN" | CORI (LEN 7.5M |
| 37 | 500-435Z | | 1 | (CORD ARMOR D8.8) FOR HKG | CORI |
| 37 | 500-470Z | | 1 | (CORD ARMOR D8.8) FOR TPE | CORI |
| 37 | 323-562 | | 1 | (CORD ARMOR D8.8) FOR GBR (110V) | CORI (LEN 7.5M |
| 37 | 323-560 | | 1 | (CORD ARMOR D8.8) FOR GBR (230V) | CORI (LEN 7.5M |
| 37 | 323-563 | | 1 | (CORD ARMOR D8.8) FOR SUI | CORI (LEN 7.5M |
| 38 | 937-631 | KABELKLEMME DIV.TYPEN | 1 | | CORI |
| 39 | 984-750 | SCHNEIDSCHRAUBE D4X16 MIT FLANSCH | 2 | | TAPF SCRE (W/FI D4X1 |
| 40 | 959-140 | VERBINDER 50091 (10ST) DIV.TYPEN | 2 | "EXCEPT FOR SAU,SIN,HKG,USA,CAN,IND" | CONI 50091 PCS.) |
| 41 | 930-039 | KONDENSATOR C6U-C13U u.a. | 1 | "EXCEPT FOR SAU,SIN,HKG,USA,CAN,IND" | NOIS SUPP |
| | 994- | | | "EXCEPT FOR | NOIS |

| | | | | | |
|-----|----------|-----------------------------------|---|--|---------------------------|
| 42 | 273 | KONDENSATOR DIV.TYPEN | 1 | SAU,SIN,HKG,USA,CAN,IND" | SUPP |
| 43 | 317-667 | VERBINDERKABEL W6V3/VA3 | 2 | "EXCEPT FOR SAU,SIN,HKG,USA,CAN,IND" | INTE WIRE |
| 44 | 992-635 | ERDKLEMME DW15Y/SV12V u.a. | 1 | "EXCEPT FOR SAU,SIN,HKG,USA,CAN,IND" | EARS TERM |
| 45A | 326-672 | | 1 | | HAND COV |
| 46 | 301-653 | SCHNEIDSCHRAUBE D4X20 MIT FLANSCH | 3 | | TAPE SCRE (W/FL D4X2 (BLA |
| 501 | 323-352 | | 1 | "EXCEPT FOR HKG,NZL,AUS,USA,CAN,TPE" | SUB (G) |
| 502 | 971-511Z | | 1 | EXCEPT FOR TPE | + DR (A) N |
| 503 | 317-674 | BITHALTER (MAGNETISCH) L=41MM | 1 | "INCLUD.502 EXCEPT FOR TPE,SIN,HKG,NZL," | MAG BIT F ASS" |
| 503 | 317-674 | BITHALTER (MAGNETISCH) L=41MM | 0 | "AUS,USA,CAN" | MAG BIT F ASS" |
| 503 | 982-554Z | BITHALTER (MAGNETISCH) L=65MM | 1 | "FOR NZL,AUS,USA,CAN" | MAG BIT F (75L) |
| 503 | 323-354 | | 1 | INCLUD.502 FOR SIN | MAG BIT F ASS" |
| 503 | 323-353 | | 1 | INCLUD.502 FOR HKG | MAG BIT F ASS" |
| 504 | 323-356 | | 1 | FOR TPE | "MAG HEX. 5/16" |
| 505 | 317-671 | | 1 | FOR TPE | SUB (B) F HEX. |
| 506 | 323-351 | | 1 | "FOR HKG,NZL,AUS,USA,CAN" | SUB (F) |
| 507 | 310-904 | TRANSPORTKOFFER DV14V/DV20V2 u.a. | 1 | FOR ESP | CASE |
| 601 | 317-670 | TIEFENANSCHLAG (B) W6VB2/V3/VA3 | 1 | | SUB (B) F H3/8 HEX. |
| 602 | 317-671 | | 1 | | SUB (B) F HEX. |

| | | | | | |
|-----|----------|-------------------------------------|---|--------------------------|----------------------|
| 603 | 317-827 | | 1 | | SUB (B) H SOCF |
| 604 | 985-330 | "STECKSCHLÜSSEL SW 3/8""X65 (MAGN)" | 1 | "EXCEPT FOR TPE,SIN,HKG" | "MAG HEX. 3/8"" |
| 605 | 985-321 | STECKSCHLÜSSEL SW10X65L (MAGNET) | 1 | "EXCEPT FOR TPE,SIN,HKG" | MAG HEX. 10MM |
| 606 | 985-322 | "STECKSCHLÜSSEL SW 5/16""X65 (MAG)" | 1 | "EXCEPT FOR TPE,SIN,HKG" | "MAG HEX. 5/16"" |
| 607 | 985-332 | "STECKSCHLÜSSEL SW 1/4""X65 (MAGN)" | 1 | "EXCEPT FOR TPE,SIN,HKG" | "MAG HEX. 1/4"" |
| 608 | 985-326 | "STECKSCHLÜSSEL SW 3/8"" X 65" | 1 | "EXCEPT FOR TPE,SIN,HKG" | "NON MAG HEX. 3/8"" |
| 609 | 985-329 | STECKSCHLÜSSEL SW10X65L | 1 | "EXCEPT FOR TPE,SIN,HKG" | NON-MAG HEX. 10MM |
| 610 | 985-327 | "STECKSCHLÜSSEL SW 5/16""X65" | 1 | "EXCEPT FOR TPE,SIN,HKG" | "NON MAG HEX. 5/16"" |
| 611 | 985-328 | "STECKSCHLÜSSEL SW 1/4""X65L" | 1 | "EXCEPT FOR TPE,SIN,HKG" | "NON MAG HEX. 1/4"" |
| 612 | 982-563Z | BITHALTER (UNMAGNETISCH) L=65MM | 1 | "EXCEPT FOR TPE,SIN,HKG" | NON-MAG BIT F |
| 613 | 323-355 | | 1 | "FOR TPE,SIN,HKG" | MAG HEX. 10MM |
| 614 | 323-356 | | 1 | "FOR SIN,HKG" | "MAG HEX. 5/16"" |
| 615 | 985-333 | +BIT NR.1 L25 | 1 | | + DR NO.1 |
| 616 | 971-512Z | | 1 | | + DR (A) N |
| 617 | 985-334 | | 1 | | + DR NO.1 W/ST ROD |
| | | | | | + DR |

| | | | | | |
|-----|---------|--------------------------------------|---|--|-------------------------------|
| 618 | 985-335 | | 1 | | NO.2 W/ST ROD |
| 619 | 985-336 | | 1 | | - DRI 4MM |
| 620 | 985-337 | | 1 | | - DRI 5MM |
| 621 | 985-338 | | 1 | | - DRI 6MM |
| 622 | 985-339 | | 1 | | - DRI 8MM |
| 623 | 985-340 | | 1 | | - DRI 4MM (W/S' ROD) |
| 624 | 985-341 | | 1 | | - DRI 5MM (W/S' ROD) |
| 625 | 985-342 | | 1 | | HEX. 4MM |
| 626 | 985-343 | | 1 | | HEX. 5MM |
| 627 | 985-344 | | 1 | | HEX. 6MM |
| 628 | 310-904 | TRANSPORTKOFFER DV14V/DV20V2 u.a. | 1 | | CASE |