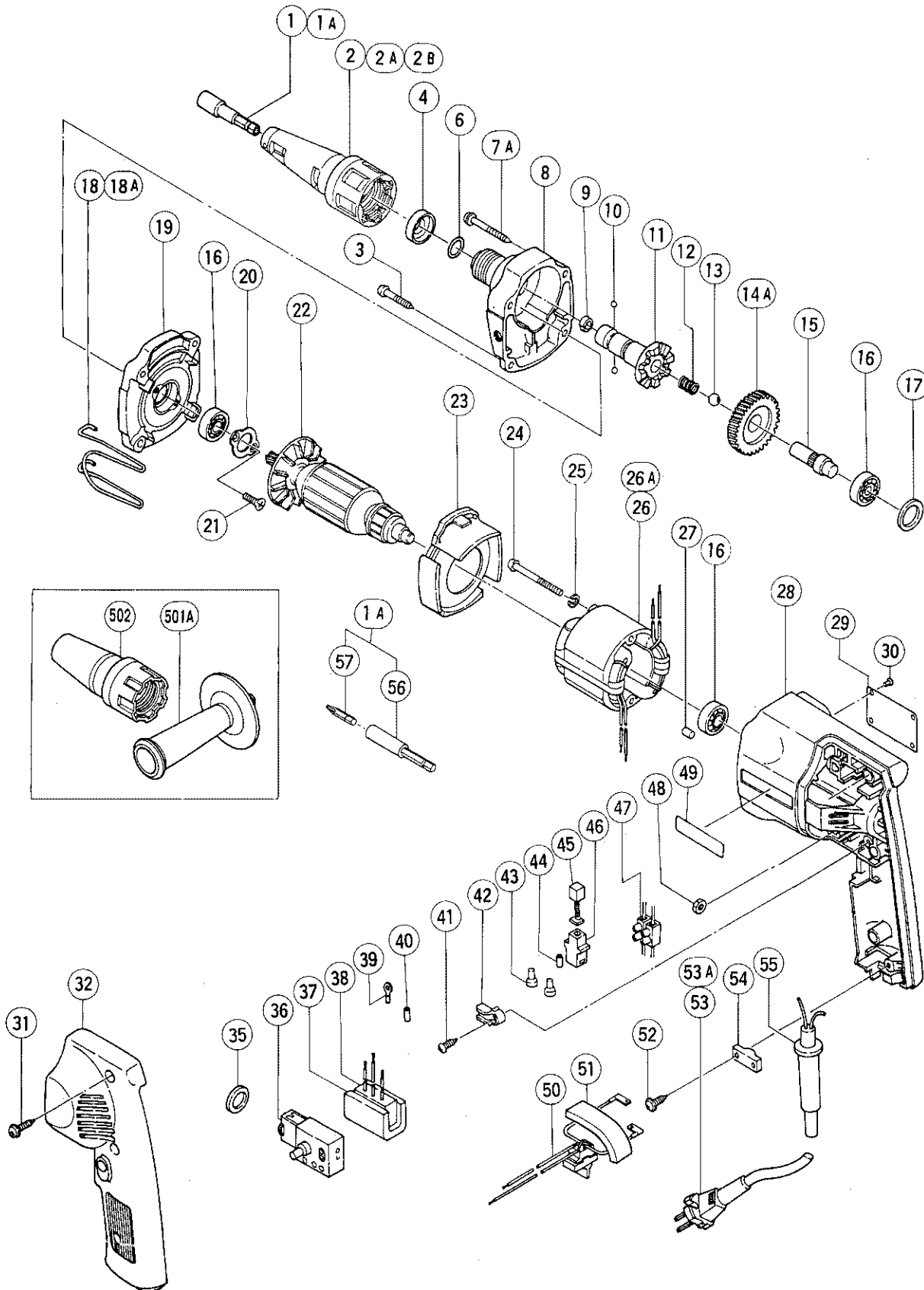


ELECTRIC TOOL PARTS LIST

■ SCREW DRIVER
Model W 6VB

1993 · 5 · 31
(E4)



PARTS

W 6VB

ITEM NO.	CODE NO.	DESCRIPTION	NO. USED	REMARKS
* 1	985-321	MAGNETIC HEX. SOCKET 10MMX65L	1	
* 1	985-322	MAGNETIC HEX. SOCKET 5/16"X65L	1	FOR USA,CAN,SWE
* 1A	985-361	NON - MAGNETIC HEX. SOCKET 11MM 65L	1	FOR DEN
* 1A		MAGNETIC BIT HOLDER ASS'Y	1	INCLUD.56,57 FOR ITA,FRG,FRA,AUT,NOR, NZL
* 2	985-323	LOCATOR (A)	1	FOR 10MM,3/8"
* 2	985-324	LOCATOR (A)	1	FOR 5/16" FOR USA,CAN,SWE
* 2A	985-360	LOCATOR (A)	1	FOR DEN
* 2B	982-555Z	LOCATOR (A)	1	FOR ITA,FRG,FRA,AUT,NOR,NZL
3	931-875	TAPPING SCREW D5X35	2	
4	971-468	FRINGER (A)	1	
6	982-564	O - RING (1AP - 15)	1	
7A	955-912	TAPPING SCREW D5X45	2	
* 8	985-320	GEAR COVER ASS'Y	1	INCLUD.8
* 8	985-319	GEAR COVER ASS'Y	1	INCLUD.8 FOR USA,CAN
9	872-573	SET RING	1	
10	959-148	STEEL BALL D3.175 (10 PCS.)	2	
11	985-312	SOCKET	1	
12	943-614	SPRING (A)	1	
13	959-154	STEEL BALL D5.556 (10 PCS.)	1	
14A	982-571	GEAR (A)	1	
15	985-345	GEAR SHAFT	1	
16	608-VVM	BALL BEARING 608VVMC2EPS2L	3	
17	933-545	WASHER (A)	1	
* 18	950-511	HOOK	1	
* 18A	950-551	HOOK	1	FOR FRG,FRA,BEL,HOL
19	985-310	INNER COVER	1	
20	971-659	BEARING HOLDER	1	
21	949-322	FLAT HD. SCREW M4X10 (10 PCS.)	2	
* 22	985-314U	ARMATURE ASS'Y 110V - 127V	1	INCLUD.16
* 22	985-314E	ARMATURE 220V - 230V	1	
* 22	985-314F	ARMATURE 240V	1	
23	971-642	FAN GUIDE	1	
24	949-278	MACHINE SCREW M4X55 (10 PCS.)	2	
25	949-453	SPRING WASHER M4 (10 PCS.)	2	
* 26	985-313C	STATOR 110V - 115V	1	
* 26	985-313E	STATOR 220V - 230V	1	
* 26	985-313F	STATOR 240V	1	
* 26	985-313L	STATOR 220V	1	FOR SUI
* 26	985-313G	STATOR 220V - 230V	1	FOR AUT,ITA
* 26	985-313J	STATOR 220V - 230V	1	FOR NZL,NOR
* 26	985-313H	STATOR 240V	1	FOR GBR
* 26	985-313K	STATOR 110V	1	FOR GBR
* 26A	985-313M	STATOR 220V - 230V	1	FOR FRG,BEL,FRA,HOL,DEN,FIN,SWE
27	946-362	BEARING LOCK	1	
28	981-110	HOUSING	1	
29		NAMA PLATE	1	
* 30	932-642	RIVET D2.5X2.8	4	FOR CAN
31	956-636	TAPPING SCREW (W/WASHER) D4X25	3	
32	981-112	HANDLE COVER	1	
35	971-510	PACKING (A)	1	

*: ALTERNATIVE PARTS

PARTS

W 6VB

ITEM NO.	CODE NO.	DESCRIPTION	NO. USED	REMARKS
* 36	985-347	SWITCH 100V -- 127V (2P PILLAR TYPE) W/LOCK	1	
* 36	982-559Z	SWITCH 220V -- 240V (2P PILLAR TYPE)	1	
* 37	930-153	SUPPORT (B)	1	FOR SUI,NZL
* 38	994-273	NOISE SUPPRESSOR	1	
* 39	980-083	TERMINAL	1	FOR SUI,NZL
* 40	981-373	TUBE (D)	1	FOR SUI,NZL
41	954-004	TAPPING SCREW D4X16	2	
42	971-655	HOLDER PIECE	2	
43	959-140	CONNECTOR 50091 (10 PCS.)	2	
* 44	981-373	TUBE (D)	1	FOR NZL,GBR,ITA,FRG,FRA,HOL,DEN,FIN, SWE,AUT,NOR,SUI
45	999-041	CARBON BRUSH (1 PAIR)	1	
45	999-080	CARBON BRUSH (AUTO STOP TYPE) (1 PAIR)	1	
46	955-203	BRUSH HOLDER	2	
47	958-308Z	PILLAR TERMINAL (A)	1	
48	949-554	NUT M4 (10 PCS.)	2	
49	957-561	HITACHI LABEL	1	
* 50	985-315	REVERSING SWITCH	1	
* 50	985-316	REVERSING SWITCH	1	FOR INA,SYR,SIN,KUW
* 50	985-317	REVERSING SWITCH ASS'Y	1	INCLUD.51 FOR NZL,GBR,ITA,FRG,FRA,DEN, FIN,SWE,NOR,SUI
* 50	985-318	REVERSING SWITCH ASS'Y	1	INCLUD.51 FOR HOL,AUT
* 51	930-153	SUPPORT (B)	1	FOR NZL,GBR,ITA,FRG,FRA,HOL,DEN,FIN, SWE,AUT,NOR,SUI
52	984-750	TAPPING SCREW (W/FLANGE) D4X16	2	
* 53	500-201Z	CORD	1	(CORD ARMOR D10.2)
* 53	500-223Z	CORD	1	(CORD ARMOR D10.2) FOR SIN,KUW
* 53	500-226Z	CORD	1	(CORD ARMOR D8.2) FOR NZL
* 53	500-231Z	CORD	1	(CORD ARMOR D8.2) FOR GBR (110V)
* 53	500-234Z	CORD	1	(CORD ARMOR D8.2) FOR INA
* 53	500-240Z	CORD	1	(CORD ARMOR 8.2) FOR USA,CAN
* 53	500-245Z	CORD	1	(CORD ARMOR D10.2) FOR SYR
* 53	500-247Z	CORD	1	(CORD ARMOR D10.2) FOR HOL,DEN,FIN, SWE,AUT,NOR
* 53	500-248Z	CORD	1	(CORD ARMOR D10.2) FOR SUI
* 53A	500-486Z	CORD	1	(CORD ARMOR D8.2) FOR GBR (240V)
54	937-631	CORD CLIP	1	
* 55	930-487	CORD ARMOR D8.2	1	
* 55	930-026	CORD ARMOR D10.2	1	
* 56	982-554Z	MAGNETIC BIT HOLDER	1	FOR ITA,FRG,FRA,NOR,NZL
* 57	971-511Z	+ DRIVER BIT (A) NO.2 25L	1	FOR ITA,FRG,FRA,NOR,NZL

STANDARD ACCESSORIES

ITEM NO.	CODE NO.	DESCRIPTION	NO. USED	REMARKS
* 501A	994-322	SIDE HANDLE	1	EXCEPT FOR USA,CAN
* 502	985-359	LOCATOR (A)	1	FOR FRA

* : ALTERNATIVE PARTS

