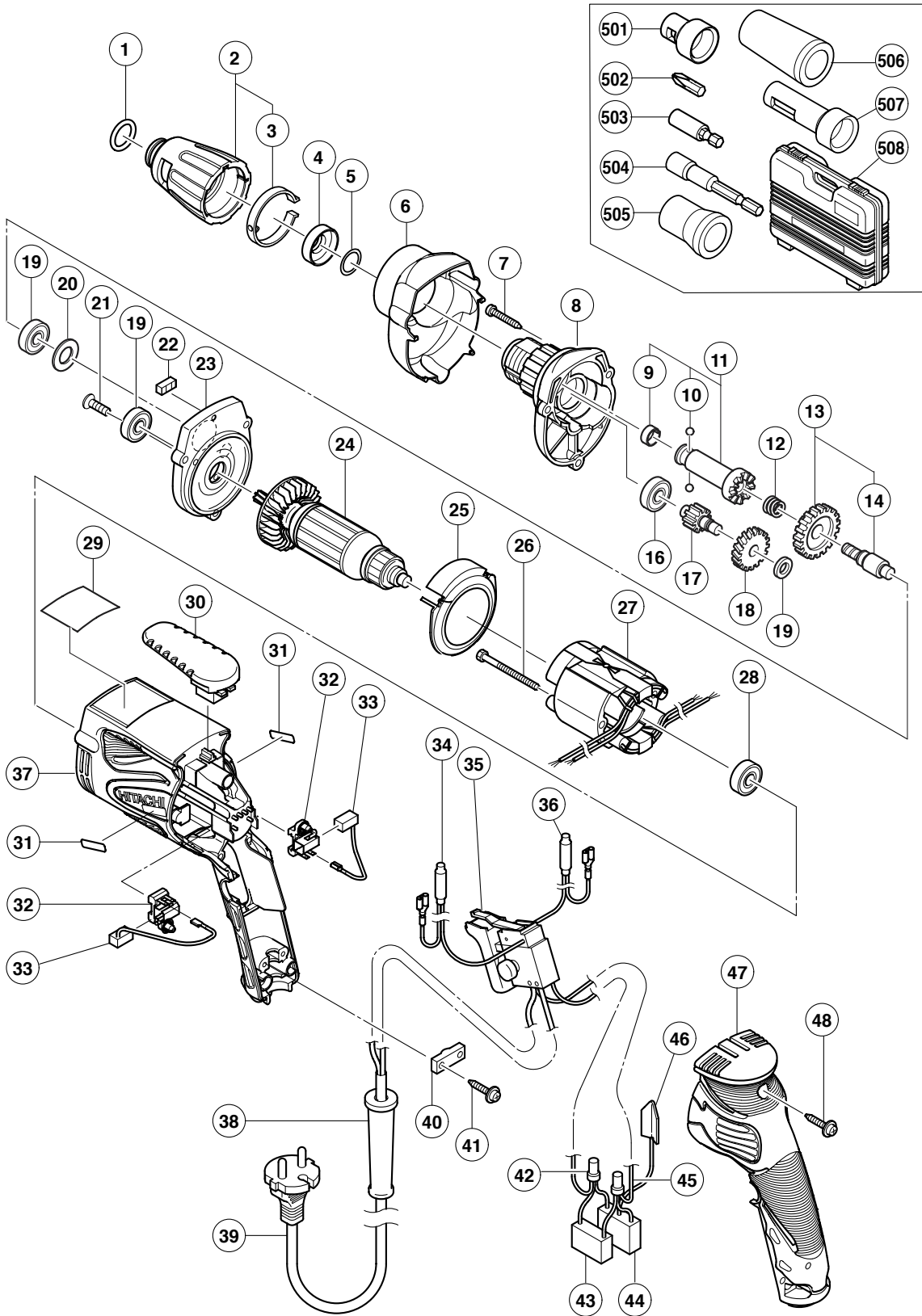


## ELECTRIC TOOL PARTS LIST

■ SCREW DRIVER  
Model W 8VB2

2004 · 8 · 25  
(E1)



**PARTS**

W 8VB2

| ITEM NO. | CODE NO. | DESCRIPTION                            | NO. USED | REMARKS                          |
|----------|----------|--|----------|----------------------------------|
| 1        | 876-031  | O-RING (S-16)                          | 1        |                                  |
| 2        | 323-487  | LOCATOR ASS'Y                          | 1        | INCLUD. 3                        |
| 3        | 323-488  | CLICK SPRING                           | 1        |                                  |
| 4        | 971-468  | FRINGER (A)                            | 1        |                                  |
| 5        | 317-662  | O-RING (F)                             | 1        |                                  |
| 6        | 323-494  | PROTECT COVER (B)                      | 1        |                                  |
| 7        | 321-057  | TAPPING SCREW D4X25 (BLACK)            | 3        |                                  |
| 8        | 323-498  | GEAR COVER ASS'Y (B)                   | 1        | INCLUD. 5, 15                    |
| 9        | 872-573  | SET RING                               | 1        |                                  |
| 10       | 959-148  | STEEL BALL D3.175 (10 PCS.)            | 2        |                                  |
| 11       | 317-664  | SOCKET (B) ASS'Y                       | 1        | INCLUD. 9, 10                    |
| 12       | 306-024  | SPRING                                 | 1        |                                  |
| 13       | 307-339  | GEAR ASS'Y                             | 1        | INCLUD. 14                       |
| 14       | 307-340  | GEAR SHAFT                             | 1        |                                  |
| 15       | 608-VVM  | BALL BEARING 608VVC2PS2L               | 1        |                                  |
| 16       | 307-338  | SECOND PINION ASS'Y                    | 1        | INCLUD. 17                       |
| 17       | 307-337  | FIRST GEAR                             | 1        |                                  |
| 18       | 323-497  | WASHER                                 | 1        |                                  |
| 19       | 608-VVM  | BALL BEARING 608VVC2PS2L               | 2        |                                  |
| 20       | 933-545  | WASHER (A)                             | 1        |                                  |
| 21       | 323-556  | SLOTTED HD. SCREW (SEAL LOCK) M4X8     | 2        |                                  |
| 22       | 323-557  | FELT (A)                               | 1        |                                  |
| 23       | 323-493  | INNER COVER ASS'Y (A)                  | 1        | INCLUD. 19-22                    |
| * 24     | 360-674  | ARMATURE (D) 110V                      | 1        |                                  |
| * 24     | 360-675E | ARMATURE (D) 220V-230V                 | 1        |                                  |
| * 24     | 360-675F | ARMATURE (D) 240V                      | 1        |                                  |
| 25       | 323-472  | FAN GUIDE                              | 1        |                                  |
| 26       | 961-672  | HEX. HD. TAPPING SCREW D4X50           | 2        |                                  |
| * 27     | 340-599C | STATOR 110V-120V                       | 1        |                                  |
| * 27     | 340-599E | STATOR 220V-240V                       | 1        |                                  |
| 28       | 608-VVM  | BALL BEARING 608VVC2PS2L               | 1        |                                  |
| 29       |          | NAME PLATE                             | 1        |                                  |
| 30       | 323-471  | HOOK                                   | 1        |                                  |
| 31       |          | HITACHI LABEL                          | 2        |                                  |
| 32       | 323-512  | BRUSH HOLDER (A)                       | 2        |                                  |
| 33       | 999-091  | CARBON BRUSH (AUTO STOP TYPE) (1 PAIR) | 2        |                                  |
| 34       | 323-566  | CHOKE COIL (W/INTERNAL WIRE) BROWN     | 1        |                                  |
| 35       | 323-479  | SWITCH (1P PILLAR TYPE) W/LOCK         | 1        |                                  |
| 36       | 323-568  | CHOKE COIL (W/INTERNAL WIRE) BLUE      | 1        |                                  |
| 37       | 323-483  | HOUSING                                | 1        |                                  |
| 38       | 953-327  | CORD ARMOR D8.8                        | 1        |                                  |
| * 39     | 323-559  | CORD (LENGTH 7.5M)                     | 1        | (CORD ARMOR D8.8)                |
| * 39     | 323-560  | CORD (LENGTH 7.5M)                     | 1        | (CORD ARMOR D8.8) FOR GBR (230V) |
| * 39     | 323-562  | CORD (LENGTH 7.5M)                     | 1        | (CORD ARMOR D8.8) FOR GBR (110V) |
| * 39     | 323-563  | CORD (LENGTH 7.5M)                     | 1        | (CORD ARMOR D8.8) FOR SUI        |
| * 39     | 323-561  | CORD (LENGTH 7.5M)                     | 1        | (CORD ARMOR D8.8) FOR AUS        |
| 40       | 937-631  | CORD CLIP                              | 1        |                                  |
| 41       | 984-750  | TAPPING SCREW (W/FLANGE) D4X16         | 2        |                                  |
| 42       | 959-140  | CONNECTOR 50091 (10 PCS.)              | 2        |                                  |
| 43       | 930-039  | NOISE SUPPRESSOR                       | 1        |                                  |
| 44       | 994-273  | NOISE SUPPRESSOR                       | 1        |                                  |



## STANDARD ACCESSORIES

W 8VB2

| ITEM NO. | CODE NO. | DESCRIPTION                               | NO. USED | REMARKS                            |
|----------|----------|---|----------|------------------------------------|
| * 501    | 323-352  | SUB STOPPER (G)                           | 1        | EXCEPT FOR GBR, AUS                |
| * 502    | 971-511Z | + DRIVER BIT (A) NO. 2 25L                | 1        | FOR FRA, BEL, FRG, AUT, SUI        |
| * 503    | 317-674  | MAGNETIC BIT HOLDER ASS'Y (41L)           | 1        | INCLUD. 502 FOR FRA, BEL, AUT, SUI |
| * 503    | 982-554Z | MAGNETIC BIT HOLDER (75L)                 | 1        | FOR FRG                            |
| * 504    | 985-322  | MAGNETIC HEX. SOCKET 5/16"X65L            | 1        | FOR GBR, AUS                       |
| * 504    | 985-321  | MAGNETIC HEX. SOCKET 10MMX65L             | 1        | FOR HOL, ESP                       |
| * 505    | 317-671  | SUB STOPPER (B) FOR H5/16 HEX. SOCKET     | 1        | FOR GBR, AUS                       |
| * 505    | 317-670  | SUB STOPPER (B) FOR H3/8, H10 HEX. SOCKET | 1        | FOR HOL, ESP                       |
| * 506    | 317-899  | SUB STOPPER (D) FOR HEX. SOCKET           | 1        | FOR FRA                            |
| * 507    | 323-351  | SUB STOPPER (F)                           | 1        | FOR FRG                            |
| * 508    | 310-904  | CASE                                      | 1        | FOR ESP                            |
|          |          |   |          |                                    |
|          |          |   |          |                                    |
|          |          |   |          |                                    |
|          |          |   |          |                                    |
|          |          |   |          |                                    |

## OPTIONAL ACCESSORIES

| ITEM NO. | CODE NO. | DESCRIPTION                          | NO. USED | REMARKS |
|----------|----------|--------------------------------------|----------|---------|
| 601      | 317-827  | SUB STOPPER (B) H1/4 HEX. SOCKET     | 1        |         |
| 602      | 985-326  | NON-MAGNETIC HEX. SOCKET 3/8" 65L    | 1        |         |
| 603      | 985-327  | NON-MAGNETIC HEX. SOCKET 5/16" 65L   | 1        |         |
| 604      | 985-328  | NON-MAGNETIC HEX. SOCKET 1/4" 65L    | 1        |         |
| 605      | 985-329  | NON-MAGNETIC HEX. SOCKET 10MM 65L    | 1        |         |
| 606      | 985-330  | MAGNETIC HEX. SOCKET 3/8"X65L        | 1        |         |
| 607      | 985-332  | MAGNETIC HEX. SOCKET 1/4"X65L        | 1        |         |
| 608      | 982-563Z | NON-MAGNETIC BIT HOLDER              | 1        |         |
| 609      | 982-554Z | MAGNETIC BIT HOLDER (75L)            | 1        |         |
| 610      | 985-333  | + DRIVER BIT NO. 1 25L               | 1        |         |
| 611      | 971-511Z | + DRIVER BIT (A) NO. 2 25L           | 1        |         |
| 612      | 971-512Z | + DRIVER BIT (A) NO. 3 25L           | 1        |         |
| 613      | 985-334  | + DRIVER BIT NO. 1 25L W/STEPPED ROD | 1        |         |
| 614      | 985-335  | + DRIVER BIT NO. 2 25L W/STEPPED ROD | 1        |         |
| 615      | 985-336  | - DRIVER BIT 4MMX25                  | 1        |         |
| 616      | 985-337  | - DRIVER BIT 5MMX25                  | 1        |         |
| 617      | 985-338  | - DRIVER BIT 6MMX25                  | 1        |         |
| 618      | 985-339  | - DRIVER BIT 8MMX25                  | 1        |         |
| 619      | 985-340  | - DRIVER BIT 4MMX25 (W/STEPPED ROD)  | 1        |         |
| 620      | 985-341  | - DRIVER BIT 5MMX25 (W/STEPPED ROD)  | 1        |         |
| 621      | 985-342  | HEX. BIT 4MMX25L                     | 1        |         |
| 622      | 985-343  | HEX. BIT 5MMX25L                     | 1        |         |
| 623      | 985-344  | HEX. BIT 6MMX25L                     | 1        |         |
| 624      | 310-904  | CASE                                 | 1        |         |
|          |          |                                      |          |         |
|          |          |                                      |          |         |
|          |          |                                      |          |         |
|          |          |                                      |          |         |
|          |          |                                      |          |         |
|          |          |                                      |          |         |