

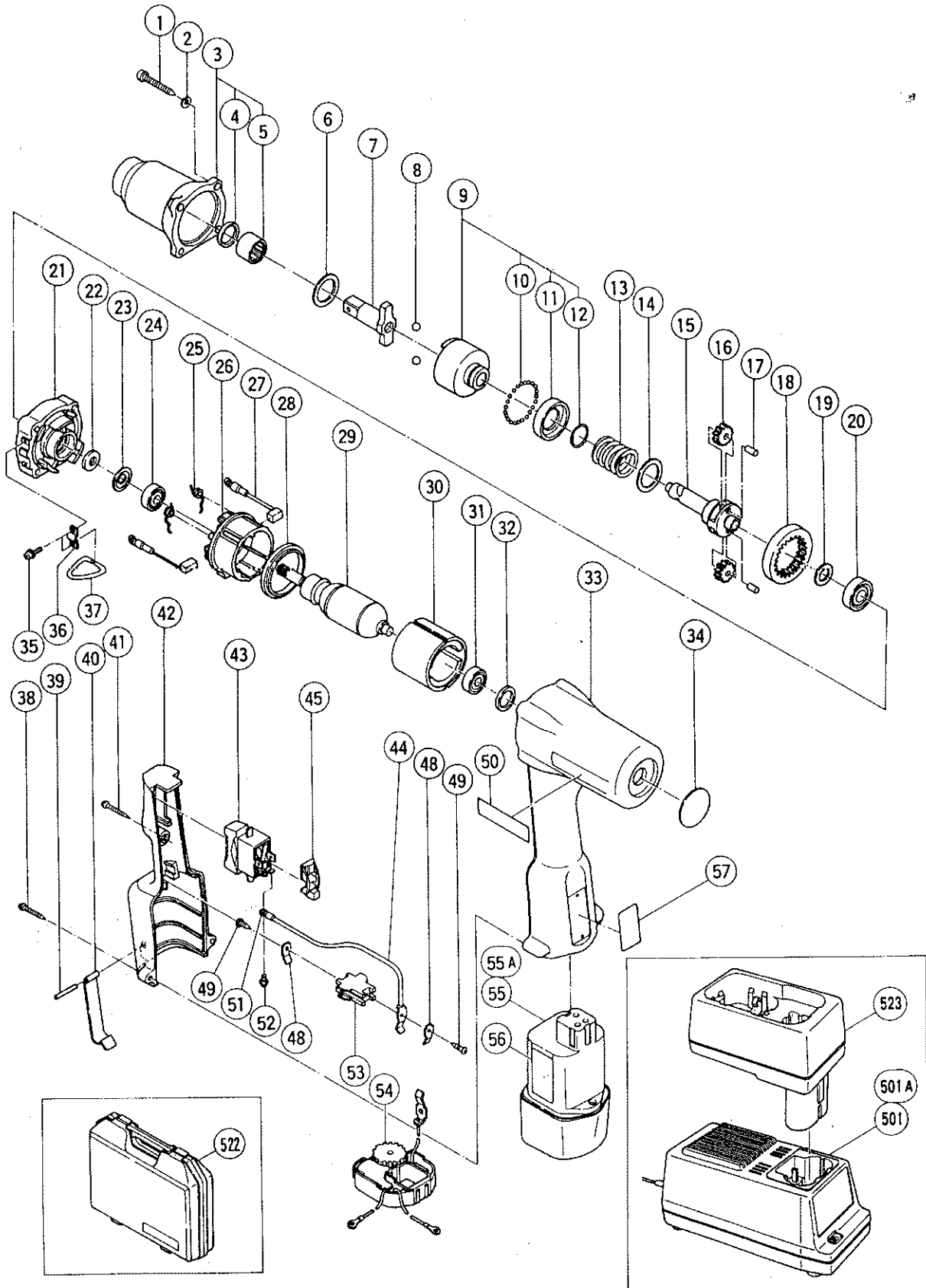
ELECTRIC TOOL PARTS LIST

■ CORDLESS IMPACT WRENCH

1989-10-30

Model WH 10DA

WH 10DA(E3)



PARTS

WH 10DA

| ITEM NO. | CODE NO. | DESCRIPTION | NO. USED | REMARKS |
|----------|----------|-------------------------------------|----------|--------------|
| 1 | 971-303 | TAPPING SCREW D5X40 | 4 | |
| 2 | 949-454 | SPRING WASHER M5 (10 PCS.) | 4 | |
| 3 | 991-457 | HAMMER CASE ASSY | 1 | INCLUD.4,5 |
| 4 | 991-458 | OIL SEAL | 1 | |
| 5 | 991-459 | NEEDLE BEARING (HK1616) | 1 | |
| 6 | 991-456 | WASHER (A) | 1 | |
| * 7 | 991-469 | ANVIL | 1 | |
| * 7 | 991-482 | ANVIL (B) | 1 | FOR USA,CAN |
| 8 | 959-154 | STEEL BALL D5.556 (10 PCS.) | 2 | |
| 9 | 991-472 | HAMMER ASSY | 1 | INCLUD.10-12 |
| 10 | 959-148 | STEEL BALL D3.175 (10 PCS.) | 23 | |
| 11 | 991-453 | SPRING SHEAT | 1 | |
| 12 | 991-454 | RETAINING RING | 1 | |
| 13 | 991-451 | SPRING | 1 | |
| 14 | 991-450 | WASHER (B) | 1 | |
| 15 | 991-470 | SPINDLE | 1 | |
| 16 | 991-448 | IDLE GEAR | 2 | |
| 17 | 991-449 | NEEDLE ROLLER | 2 | |
| 18 | 991-447 | RING GEAR | 1 | |
| 19 | 991-455 | WASHER (C) | 1 | |
| 20 | 600-1CM | BALL BEARING 6001CM | 1 | |
| 21 | 991-444 | INNER COVER | 1 | |
| 22 | 991-445 | FELT WASHER | 1 | |
| 23 | 991-446 | PACKING WASHER | 1 | |
| 24 | 608-VVM | BALL BEARING 608VVMC2EPS2L | 1 | |
| 25 | 991-467 | BRUSH SPRING | 2 | |
| 26 | 991-461 | BRUSH CASE | 1 | |
| 27 | 991-468 | CARBON BRUSH (1 PAIR) | 2 | |
| 28 | 991-460 | RUBBER RING (CR610) | 1 | |
| 29 | 991-443 | ARMATURE | 1 | |
| 30 | 991-442 | MAGNET | 1 | |
| 31 | 608-VVM | BALL BEARING 608VVMC2EPS2L | 1 | |
| 32 | 985-198 | RUBBER WASHER | 1 | |
| 33 | 991-440 | HOUSING | 1 | |
| 34 | 991-441 | TAIL COVER | 1 | |
| 35 | 987-203 | SEAL LOCK SCREW (W/SP.WASHER) M4X12 | 2 | |
| 36 | 991-475 | HANGER PLATE | 1 | |
| 37 | 991-473 | HANGER (B) | 1 | |
| 38 | 956-636 | TAPPING SCREW (W/WASHER) D4X25 | 2 | |
| 39 | 949-548 | ROLL PIN D4X25 (10 PCS.) | 1 | |
| 40 | 980-581 | BATTERY CASE HOLDER | 1 | |
| 41 | 982-095 | TAPPING SCREW (W/WASHER) D4X20 | 1 | |
| 42 | 993-643 | HANDLE COVER | 1 | |
| 43 | 985-103 | SWITCH (2P SCREW TYPE) | 1 | |
| 44 | 991-462 | TERMINAL ASSY | 1 | INCLUD.51 |
| 45 | 985-176 | SWITCH ADAPTER | 1 | |
| 48 | 991-464 | HOLDER SPRING | 2 | |
| 49 | 954-017 | TAPPING SCREW D4X12 | 2 | |
| 50 | 983-865 | HITACHI LABEL | 1 | |
| 51 | 930-804 | TERMINAL M4.0 (10 PCS.) | 1 | |
| 52 | 980-060 | MACHINE SCREW (W/WASHER) M3.5X5 | 4 | |
| 53 | 991-465 | TERMINAL PIECE | 1 | |

* : ALTERNATIVE PARTS

10-89

