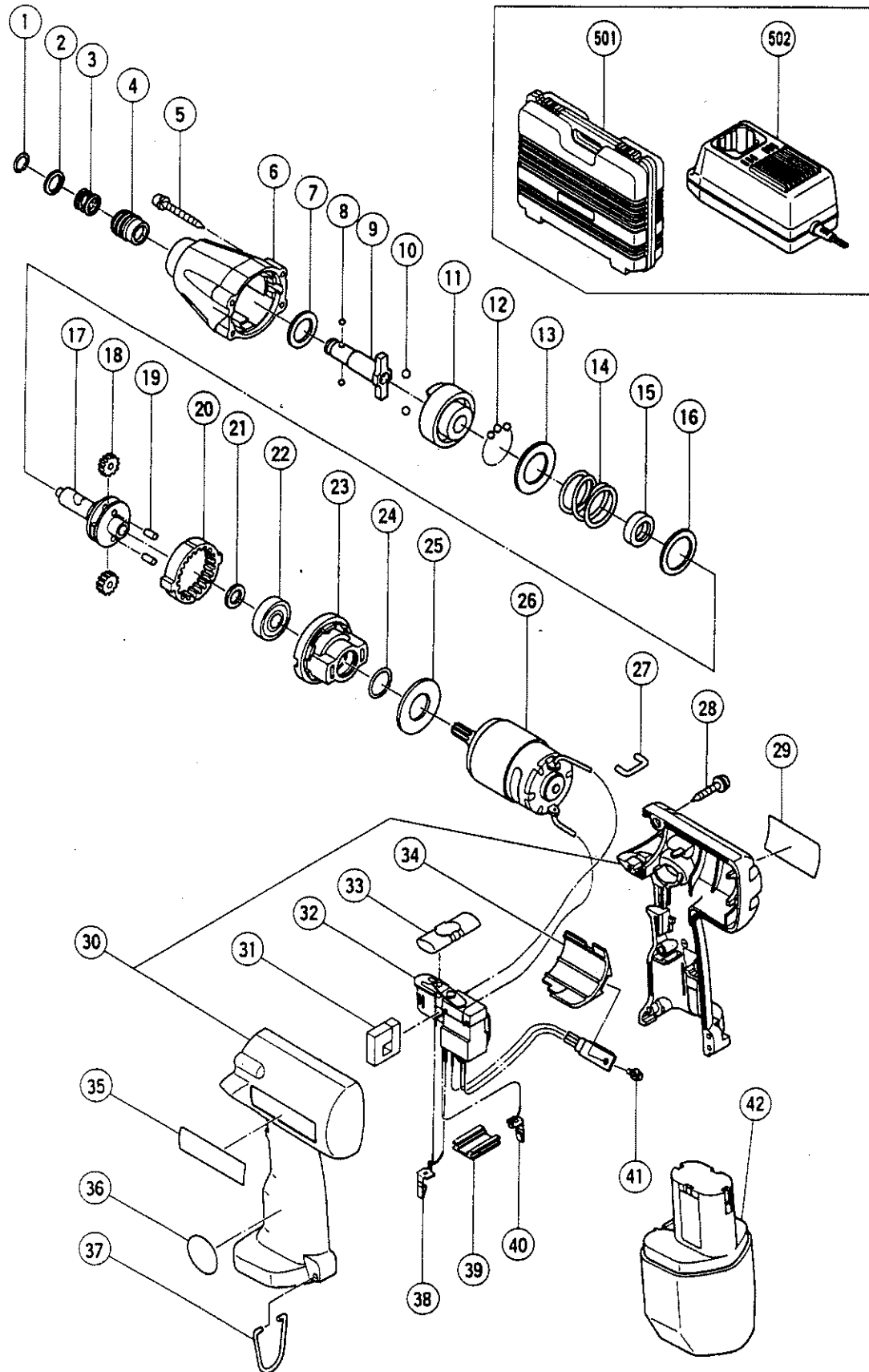


## ELECTRIC TOOL PARTS LIST

■ CORDLESS IMPACT DRIVER  
Model WH 12DC

1995・2・15  
(E1)



## PARTS

WH 12DC

ITEM NO.	CODE NO.	DESCRIPTION	NO. USED	REMARKS
1	995-933	RETAINING RING	1	
2	307-899	RETAINER	1	
3	995-931	GUIDE SPRING	1	
4	307-782	GUIDE SLEEVE (A)	1	
5	308-305	TAPPING SCREW (W/SP. WASHER) D4X35(BLACK)	4	
6	310-461	HAMMER CASE	1	
7	998-111	WASHER (A)	1	
8	959-148	STEEL BALL D3.175 (10 PCS.)	2	
9	309-171	ANVIL (H)	1	
10	959-154	STEEL BALL D5.556 (10 PCS.)	2	
11	302-330	HAMMER	1	
12	959-155	STEEL BALL D3.97 (10 PCS.)	21	
13	302-331	WASHER (G)	1	
14	308-304	SPRING	1	
15	302-335	STOPPER	1	
16	302-333	WASHER (H)	1	
17	302-332	SPINDLE	1	
18	991-448	IDLE GEAR	2	
19	991-449	NEEDLE ROLLER	2	
20	302-337	RING GEAR	1	
21	991-455	WASHER (C)	1	
22	600-1VV	BALL BEARING 6001VVCMP2L	1	
23	306-303	INNER COVER	1	
24	876-078	O - RING (S - 20)	1	
25	306-302	DAMPER	1	
26	306-308	MOTOR	1	
27	306-301	HOUSING CLIP	1	
28	302-088	TAPPING SCREW (W/FLANGE) D4X20 (BLACK)	6	
29		NAME PLATE	1	
30	310-381	HOUSING (A),(B) SET	1	
31	306-157	SEAL	1	
32	306-153	SWITCH ASS'Y (1P PLUG IN TYPE) W/O LOCK	1	INCLUD.38,40
33	306-151	PUSHING BUTTON	1	
34	302-342	FIN	1	
35		HITACHI LABEL	1	
36	987-135	MARK PLATE	1	
37	980-838	HOOK	1	
38	306-155	TERMINAL (A)	1	
39	991-666	TERMINAL SUPPORT	1	
40	306-154	TERMINAL	1	
41	301-791	MACHINE SCREW (W/SP. WASHER) M3.5X6	1	
42	302-758	BATTERY EB 12 (W/ENGLISH N.P.)	1	
42	300-003	BATTERY EB 12 (W/FRENCH N.P.)	1	FOR FRA

\*: ALTERNATIVE PARTS

