

*ATV MAN KUKI*



**HITACHI**

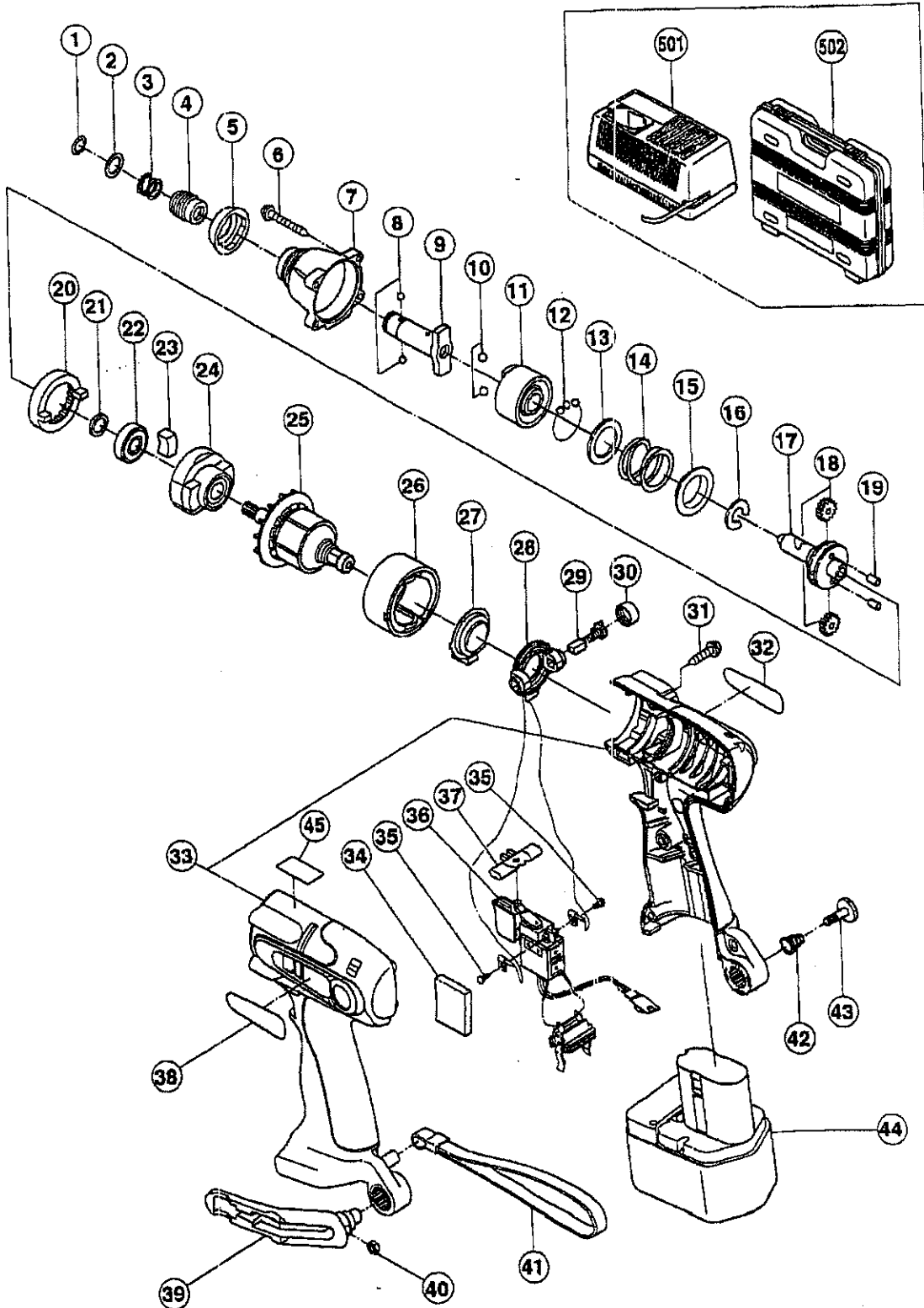
**ORIGINAL**

LIST NO. F862

**ELECTRIC TOOL PARTS LIST**

**CORDLESS IMPACT DRIVER**  
**Model WH 12DM**

**2001・10・5**  
**(E1)**



To : HTE

Attn: Ms. Mrs. Felder

Date : 28-dec-01

<b>Parts <del>Price</del> List for WH12DM</b>
-----------------------------------------------

No.	Co./No.	Discription	Pcs.
1	315-984✓	RETAINING RING	1
2	315-983✓	WASHER (D)	1
3	315-982✓	GUIDE SPRING	1
4	319-921	GUIDE SLEEVE (A)	1
5	320-418	FRONT CAP	1
6	319-917	TAPPING SCREW (W/SP. WASHER) D4X25(BL)	4
7	319-923	HAMMER CASE	1
8	319-535	STEEL BALL D3.5 (10 PCS.)	2
9	320-417	ANVIL (C)	1
10	959-154✓	STEEL BALL D5.556 (10 PCS.)	2
11	319-916	HAMMER	1
12	959-148✓	STEEL BALL D3.175 (10 PCS.)	28
13	315-978✓	WASHER (J)	1
14	319-915	HAMMER SPRING	1
15	316-172✓	WASHER (S)	1
16	316-171✓	STOPPER	1
17	319-912	SPINDLE	1
18	319-913	IDLE GEAR SET (2 PCS.)	2
19	319-914	NEEDLE ROLLER	2
20	319-910	RING GEAR	1
21	319-911	WASHER (E)	1
22	690-1VV	BALL BEARING 6901VVCMP52L	1
23	319-909	DAMPER	2
24	319-908	INNER COVER	1
25	360-557	ARMATURE ASS'Y (W/BALL BEARING) DC 12V	1
26	319-919	MAGNET	1
27	319-907	DUST GUARD FIN	1
28	319-905	BRUSH BLOCK	1
29	999-054✓	CARBON BRUSH 5X6X11.5 (1 PAIR)	2
30	319-918	BRUSH CAP	2
31	302-086✓	TAPPING SCREW (W/FLANGE) D4X20 (BLACK)	7
* 32		NAME PLATE	1
33	320-381	HOUSING (A).(B) SET	1
34	316-186✓	SUPPORT (B)	1
35	994-532✓	MACHINE SCREW (W/SP. WASHER) M3X5	2
36	319-906	DC-SPEED CONTROL SWITCH	1
37	316-166✓	PUSHING BUTTON	1
38		HITACHI LABEL	1
39	320-287	HOOK ASS'Y	1
40	320-288	V-LOCK NUT M5	1
41	306-952✓	STRAP (BLACK)	1
42	319-926	HOOK SPRING	1
43	319-927	SPECIAL SCREW M5	1
* 44	1320-387	BATTERY EB 1220BL (W/ENGLISH N.P.)	1

To : HTE

Attn: Ms. Mrs. Felder

Date : 28-dec-01

**Parts List for WH12DM**

* 44	2320-386	BATTERY EB 1220BL (W/ENGLISH N.P.)	1
* 44	3320-388	BATTERY EB 1230HL (W/ENGLISH N.P.)	1
* 45		CAUTION PLATE	1
2 STA	ANDARD ACC	ESSORIES	
501		CHARGER (MODEL UC 14YF2)	1
502	320-377	CASE	1
3 OPT	IONAL ACC	ESSORIES	
*601	1310-378	BATTERY EB 12B (W/ENGLISH N.P.)	1
*601	2310-453	BATTERY EB 12B (W/ENGLISH N.P.)	1
*601	3316-665	BATTERY EB 12H (W/ENGLISH N.P.)	1
602	992-671	+ DRIVER BIT (B) NO.2 50L	1
603	992-672	+ DRIVER BIT (B) NO.3 50L	1
604	996-177	NON-MAGNETIC HEX. SOCKET 8MM 65L	1
605	985-329	NON-MAGNETIC HEX. SOCKET 10MM 65L	1
606	996-178	NON-MAGNETIC HEX. SOCKET 12MM 65L	1
607	996-179	NON-MAGNETIC HEX. SOCKET 13MM 65L	1
608	996-180	NON-MAGNETIC HEX. SOCKET 14MM 65L	1
609	996-181	NON-MAGNETIC HEX. SOCKET 16MM 65L	1
610	996-182	NON-MAGNETIC HEX. SOCKET 17MM 65L	1
611	996-197	HEX. SOCKET (LONG) 21MMX166L	1
612	996-195	DRILL CHUCK AND ADAPTER SET	1
613	930-119	CHUCK WRENCH 6.5G	1
614	307-543	CHUCK ADAPTER	1
615	309-922	GREASE FOR IMPACT DRIVER (500G)	1