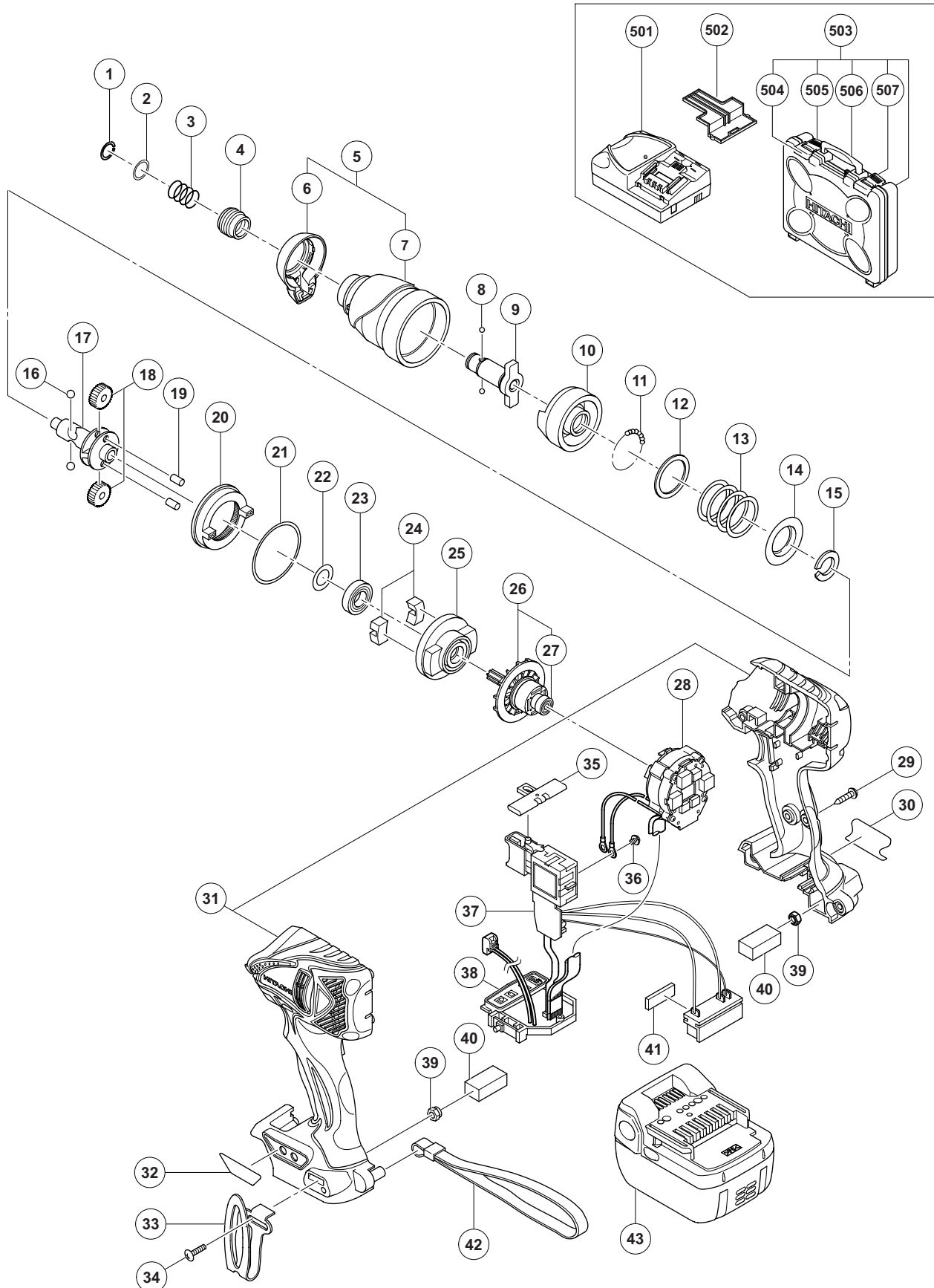


ELECTRIC TOOL PARTS LIST

CORDLESS IMPACT DRIVER Model WH 14DBAL2

2012·8·1
(E1)



PARTS

WH 14DBAL2

ITEM NO.	CODE NO.	DESCRIPTION	NO. USED	REMARKS
1	315-984	RETAINING RING	1	
2	330-856	WASHER (D)	1	
3	321-657	GUIDE SPRING (D)	1	
4	322-717	GUIDE SLEEVE (D)	1	
5	334-694	HAMMER CASE SET	1	INCLUD. 6, 7
6	334-515	FRONT CAP	1	
7	334-635	HAMMER CASE	1	
8	319-535	STEEL BALL D3.5 (10 PCS.)	2	
* 9	334-145	ANVIL	1	
* 9	334-833	ANVIL	1	FOR EUROPE
10	326-789	HAMMER (F)	1	
11	959-148	STEEL BALL D3.175 (10 PCS.)	28	
12	315-978	WASHER (J)	1	
13	321-660	HAMMER SPRING (D)	1	
14	316-172	WASHER (S)	1	
15	328-647	STOPPER (C)	1	
16	959-154	STEEL BALL D5.556 (10 PCS.)	2	
17	330-658	SPINDLE	1	
18	326-295	IDLE GEAR SET (2 PCS.)	2	
19	319-914	NEEDLE ROLLER	2	
20	330-657	RING GEAR	1	
21	983-852	O-RING (S-42)	1	
22	330-855	WASHER (E)	1	
23	323-118	BALL BEARING 6901VV-N	1	
24	333-952	DAMPER	2	
25	326-786	INNER COVER (D)	1	
26	334-565	ROTOR ASS'Y	1	INCLUD. 27
27	333-784	BALL BEARING 624DD	2	
28	340-841	STATOR FET PCB (C)	1	
29	301-653	TAPPING SCREW (W/FLANGE) D4 X 20 (BLACK)	9	
30		NAME PLATE	1	
31	334-151	HOUSING (A).(B) SET (GREEN)	1	
32	330-662	PANEL SHEET (B)	1	
33	330-666	HOOK	1	
34	327-001	TRUSS HD. SCREW M4 (BLACK)	1	
35	321-661	PUSHING BUTTON (A)	1	
36	994-532	MACHINE SCREW (W/SP. WASHER) M3 X 5	2	
37	334-215	DC-SPEED CONTROL SWITCH	1	
38	334-836	CONTROLLER	1	
39	327-002	LOCK NUT M4 (BLACK)	2	
40	328-644	PACKING	2	
41	331-101	CUSHION	1	
42	306-952	STRAP (BLACK)	1	
* 43	334-419	BATTERY BSL 1440 (EUROPE, AUS, NZL)	2	INCLUD. 502
* 43	330-756	BATTERY BSL 1430 (CHN)	2	INCLUD. 502
* 43	334-727	BATTERY BSL 1430 (TPE)	2	INCLUD. 502
* 43	334-904	BATTERY BSL 1430 (KOR)	2	INCLUD. 502

STANDARD ACCESSORIES

WH 14DBAL2

ITEM NO.	CODE NO.	DESCRIPTION	NO. USED	REMARKS
* 501		CHARGER (MODEL UC 18YRSL)	1	
* 501		CHARGER (MODEL UC 18YML2)	1	
502	329-897	BATTERY COVER	1	
503	329-440	CASE ASS'Y	1	INCLUD. 504-507
504	334-233	LATCH (DARK GRAY)	2	
505	334-235	KNOB (L) DARK GRAY	1	
506	334-232	HANDLE (DARK GRAY)	1	
507	334-234	KNOB (R) DARK GRAY	1	

OPTIONAL ACCESSORIES

ITEM NO.	CODE NO.	DESCRIPTION	NO. USED	REMARKS
601	321-823	DRILL CHUCK AND ADAPTER SET	1	INCLUD. 616, 618
602	309-922	GREASE FOR IMPACT DRIVER (500 G)	1	
603	992-671	+ DRIVER BIT (B) NO. 2 50L	1	
604	992-672	+ DRIVER BIT (B) NO. 3 50L	1	
605	996-177	NON-MAGNETIC HEX. SOCKET 8 MM 65L	1	
606	985-329	NON-MAGNETIC HEX. SOCKET 10 MM 65L	1	
607	996-178	NON-MAGNETIC HEX. SOCKET 12 MM 65L	1	
608	996-179	NON-MAGNETIC HEX. SOCKET 13 MM 65L	1	
609	996-180	NON-MAGNETIC HEX. SOCKET 14 MM 65L	1	
610	996-185	NON-MAGNETIC HEX. SOCKET 15 MM 65L	1	
611	996-181	NON-MAGNETIC HEX. SOCKET 16 MM 65L	1	
612	996-182	NON-MAGNETIC HEX. SOCKET 17 MM 65L	1	
613	996-186	NON-MAGNETIC HEX. SOCKET 19 MM 65L	1	
614	996-197	HEX. SOCKET (LONG) 21 MM X 166L	1	
615	996-184	BIT PIECE	1	
616	987-575	CHUCK WRENCH FOR 10VLB-D, 10VLR-D	1	
617	930-119	CHUCK WRENCH 6.5G	1	
618	307-543	CHUCK ADAPTER	1	

