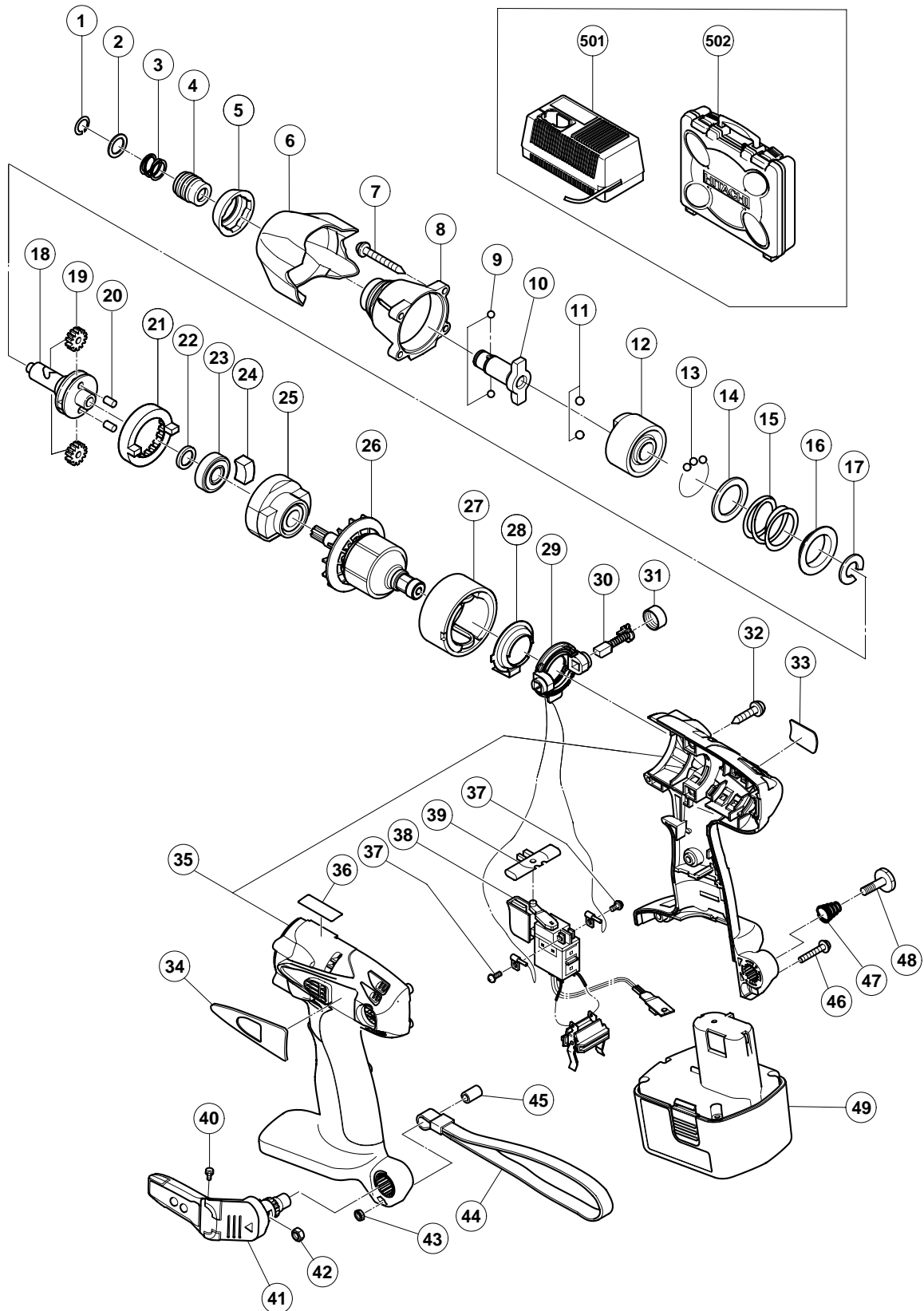


ELECTRIC TOOL PARTS LIST

CORDLESS IMPACT DRIVER
Model WH 14DM

2003 · 6 · 5
(E1)



PARTS

WH 14DM

ITEM NO.	CODE NO.	DESCRIPTION	NO. USED	REMARKS
1	317-530	RETAINING RING	1	
2	318-394	RETAINER	1	
3	317-528	GUIDE SPRING	1	
4	322-077	GUIDE SLEEVE	1	
5	320-418	FRONT CAP	1	
6	322-076	PROTECTOR	1	
7	319-917	TAPPING SCREW (W/SP. WASHER) D4X25 (BLACK)	4	
8	322-075	HAMMER CASE	1	
9	959-155	STEEL BALL D3.97 (10 PCS.)	2	
10	322-072	ANVIL (C)	1	
11	959-154	STEEL BALL D5.556 (10 PCS.)	2	
12	322-069	HAMMER (E)	1	
13	959-148	STEEL BALL D3.175 (10 PCS.)	28	
14	315-978	WASHER (J)	2	
15	320-879	HAMMER SPRING (C)	1	
16	316-172	WASHER (S)	1	
17	316-171	STOPPER	1	
18	322-068	SPINDLE (E)	1	
19	319-913	IDLE GEAR SET (2 PCS.)	2	
20	319-914	NEEDLE ROLLER	2	
21	320-877	RING GEAR (C)	1	
22	319-911	WASHER (E)	1	
23	690-1VV	BALL BEARING 6901VVCMP2L	1	
24	322-143	DAMPER	1	
25	319-908	INNER COVER	1	
26	360-613	ARMATURE DC 14.4V	1	
27	320-916	MAGNET (C) ASS'Y	1	
28	319-907	DUST GUARD FIN	1	
29	320-876	BRUSH BLOCK	1	
30	999-054	CARBON BRUSH 5X6X11.5 (1 PAIR)	2	
31	319-918	BRUSH CAP	2	
32	302-086	TAPPING SCREW (W/FLANGE) D4X20 (BLACK)	7	
* 33		NAME PLATE	1	
34		HITACHI LABEL	1	
35	322-074	HOUSING (A).(B) SET	1	
* 36		CAUTION PLATE	1	
37	994-532	MACHINE SCREW (W/SP. WASHER) M3X5	2	
38	321-533	DC-SPEED CONTROL SWITCH	1	
39	320-512	PUSHING BUTTON	1	
40	321-672	TAPPING SCREW D2X6	2	
41	321-918	HOOK ASS'Y (W/LIGHT)	1	INCLUD. 40, 42
42	320-288	V-LOCK NUT M5	1	
43	949-565	LOCK NUT M4 (10 PCS.)	1	
44	306-952	STRAP (BLACK)	1	
45	320-882	SLEEVE	1	
46	676-386	MACHINE SCREW (W/WASHERS) M4X25	1	
47	319-926	HOOK SPRING	1	
48	320-881	SPECIAL SCREW (A) M5	1	
* 49	318-372	BATTERY EB 1430H (W/ENGLISH N.P.)	2	
* 49	315-130	BATTERY EB 14B (W/ENGLISH N.P.)	2	
* 49	315-129	BATTERY EB 14B (W/ENGLISH N.P.)	1	FOR USA, CAN

