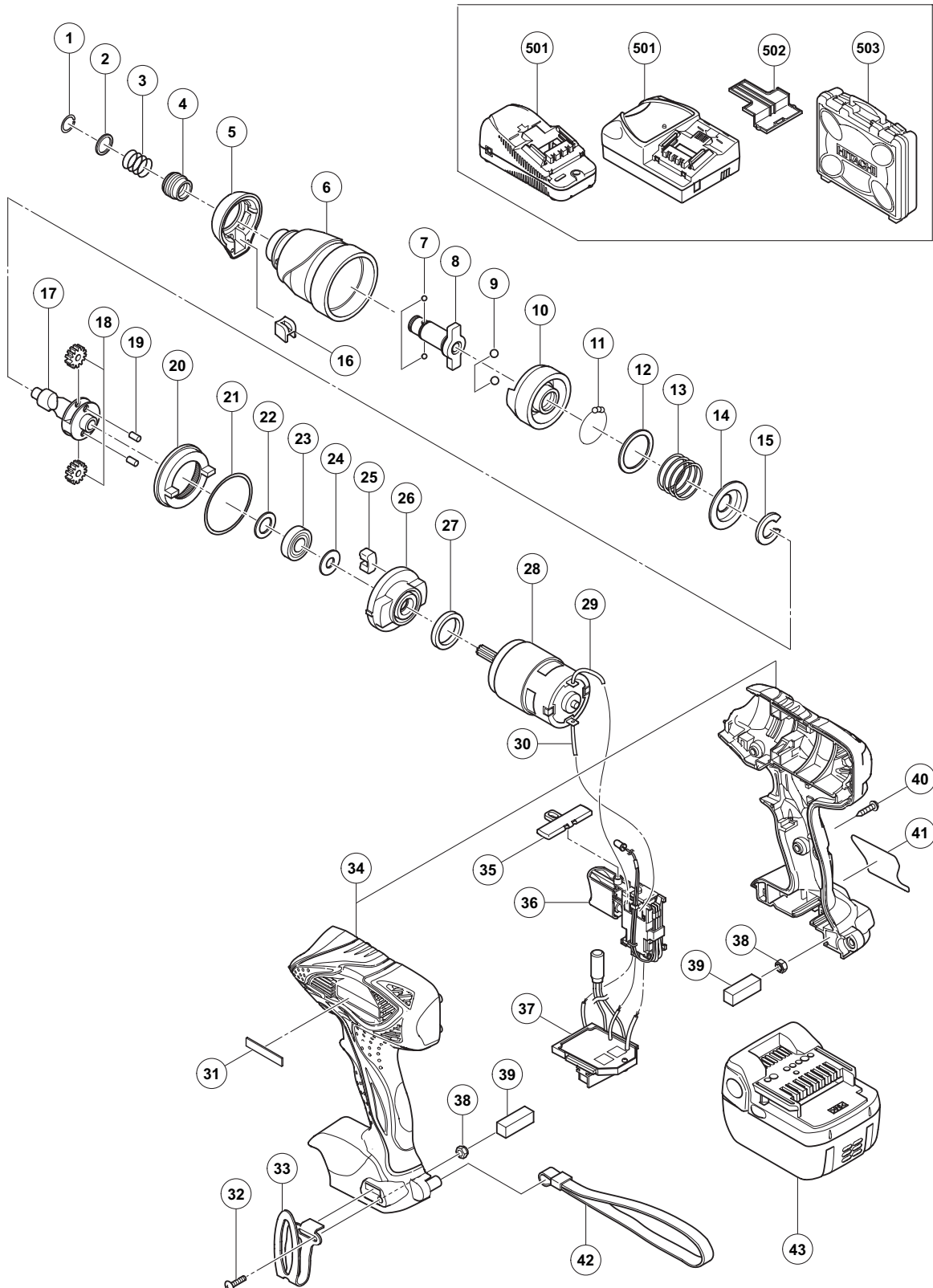


ELECTRIC TOOL PARTS LIST

CORDLESS IMPACT DRIVER Model WH 14DSAL

2009·6·8
(E1)



PARTS

WH 14DSAL

ITEM NO.	CODE NO.	DESCRIPTION	NO. USED	REMARKS	
1	330-619	RETAINING RING	1		
2	330-856	WASHER (D)	1		
3	331-284	GUIDE SPRING (D)	1		
4	322-717	GUIDE SLEEVE (D)	1		
5	331-280	FRONT CAP (G)	1		
6	331-281	HAMMER CASE	1		
7	319-535	STEEL BALL D3.5 (10 PCS.)	2		
8	331-275	ANVIL (D)	1		
9	959-154	STEEL BALL D5.556 (10 PCS.)	2		
10	331-276	HAMMER (B)	1		
11	959-148	STEEL BALL D3.175 (10 PCS.)	28		
12	315-978	WASHER (J)	1		
13	331-285	HAMMER SPRING (D)	1		
14	316-172	WASHER (S)	1		
15	316-171	STOPPER	1		
16	329-552	LED HOLDER	1		
17	331-287	SPINDLE (D)	1		
18	326-295	IDLE GEAR SET (2 PCS.)	2		
19	319-914	NEEDLE ROLLER	2		
20	330-657	RING GEAR	1		
21	983-852	O-RING (S-42)	1		
22	319-911	WASHER (E)	1		
23	690-1VV	BALL BEARING 6901VVCMP2L	1		
24	331-288	FELT	1		
25	324-230	DAMPER (A)	2		
26	331-286	INNER COVER	1		
27	321-894	DAMPER	1		
28	331-289	MOTOR DC 12V	1		
29		INTERNAL WIRE (RED)	1		
30		INTERNAL WIRE (BLACK)	1		
31	329-648	HITACHI PLATE	1		
32	327-001	TRUSS HD. SCREW M4 (BLACK)	1		
33	331-277	HOOK (A)	1		
34	331-279	HOUSING (A).(B) SET	1		
35	329-454	PUSHING BUTTON (A)	1		
36	331-290	DC SPEED CONTROL SWITCH	1		
37	331-283	CONTROLLER TERMINAL SET	1		
38	327-002	LOCK NUT M4 (BLACK)	2		
39	327-004	PACKING	2		
40	301-653	TAPPING SCREW (W/FLANGE) D4 X 20 (BLACK)	9		
41		NAME PLATE	1		
*	42	306-952	STRAP (BLACK)	1	EXCEPT FOR USA, CAN
*	43	329-083	BATTERY BSL 1430 (EUROPE, AUS, NZL)	2	INCLUD. 502
*	43	330-140	BATTERY BSL 1415X (USA, CAN)	2	INCLUD. 502
*	43	330-558	BATTERY BSL 1415X (EUROPE)	2	INCLUD. 502

