

Hitachi Power Tools

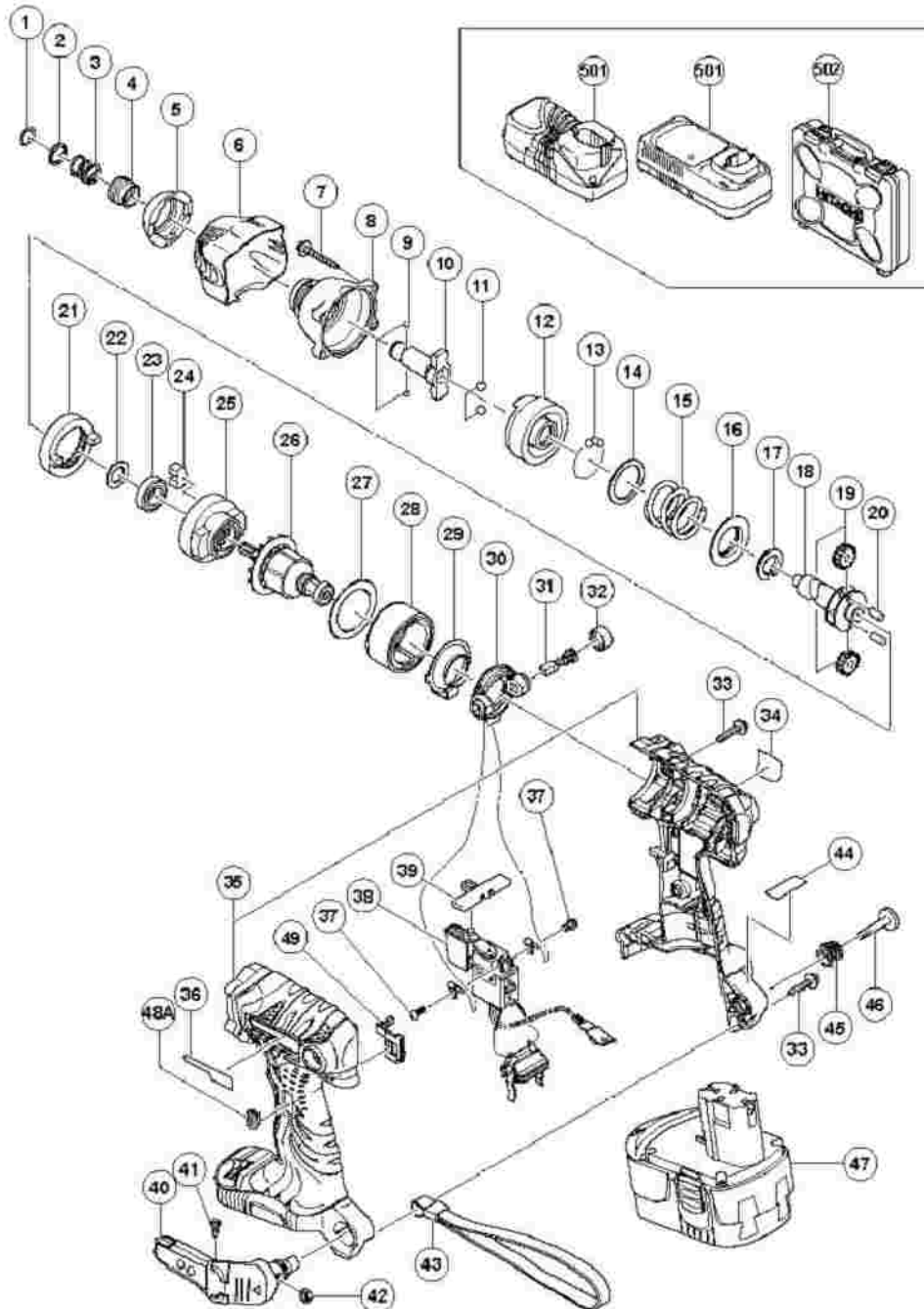
LIST NO. G831

ELECTRIC TOOL PARTS LIST

■ CORDLESS IMPACT DRIVER
Model WH 18DMR

2006·12·1

(E1-1)



WH18DMR

| Pos. Nr. | Art. Nr. | Beschreibung | Stueck | Kommentar | Be |
|----------|----------|---|--------|-----------|--------------------------|
| 1 | 315-984 | WERKZEUGRING WH8DH/WH12DH WH12DM | 1 | | RETAI |
| 2 | 315-983 | UNTERLEGSCHEIBE (D) WH8DH/WH12DH WH12DM | 1 | | WASH |
| 3 | 321-657 | Führungsfeder (A) WH12DM2 | 1 | | GUIDE |
| 4 | 322-717 | Führungshülse (D) WH12DMR | 1 | | GUIDE |
| 5 | 324-238 | Vorderkappe (C) WH14DMR | 1 | | FRON' |
| 6 | 324-239 | Schutzkappe (D) WH14DMR | 1 | | PROTE |
| 7 | 307-851 | SCHNEIDSCHRAUBE D4X30 M FEDERING (SCHWAR | 4 | | TAPPI (W/SP. D4X30 |
| 8 | 324-216 | HHammergehäuse WH14DMR | 1 | | HAMM |
| 9 | 319-535 | STAHLKUGEL D3 5 (10STK) | 2 | | STEEL (10 PC |
| 10 | 324-236 | Amboss WH14DMR | 1 | | ANVII |
| 10 | 324-602 | | 1 | FOR KOR | ANVII |
| 11 | 959-154 | STAHLKUGEL D5 556 (10ST) | 2 | | STEEL (10 PC |
| 12 | 324-218 | Hammer WH14DMR | 1 | | HAMM |
| 13 | 959-148 | STAHLKUGEL D3 175 (10ST) (ALTE ART NR 93 | 28 | | STEEL (10 PC |
| 14 | 315-978 | UNTERLEGSCHEIBE (J) WH8DH/WH12DH/ WR12DH | 1 | | WASH |
| 15 | 324-224 | Hammerfeder (F) WH14DMR | 1 | | HAMM (F) |
| 16 | 316-172 | UNTERLEGSCHEIBE (S) WH8DH/WH12DH/ WR12DH | 1 | | WASH |
| 17 | 324-222 | Stopper (B) WH14DMR | 1 | | STOPE |
| 18 | 324-232 | Spindel WH14DMR | 1 | | SPIND |
| 19 | 321-667 | Leerlaufzahnrad Set (2Stk) WH12DM2 | 2 | | IDLE (C PCS.) |
| 20 | 324-234 | Nadelrolle (A) WH14DMR | 2 | | NEEDI (A) |
| | 320- | | | | |

| | | | | | |
|-----|---------|---|---|----------------|--------------------------|
| 21 | 877 | Ringzahnrad WR14DM | 1 | | RING |
| 22 | 319-911 | UNTERLEGSCHIEBE (E) WR12DM WH12DM | 1 | | WASH |
| 23 | 690-1VV | KUGELLAGER 6901VVCMP2L | 1 | | BALL 6901V |
| 24 | 324-230 | Dampfer (A) WH14DMR | 2 | | DAMP |
| 25 | 324-229 | Innengehäuse (B) WH14DMR | 1 | | INNER |
| 26 | 360-713 | Anker & Ritzel kpl WH18DMR | 1 | | ARMA PINION |
| 27 | 324-607 | Seitenbügel (A) WH14DMR | 1 | | SIDE Y |
| 28 | 324-235 | Magnet (A) WR14DMR | 1 | INCLUD.27 | MAGN |
| 29 | 324-228 | Staubschutzabdeckung (B) WH14DMR | 1 | | DUST (B) |
| 30 | 324-226 | Burstenblock kpl WH14DMR | 1 | | BRUSH |
| 31 | 999-054 | KOHLENBURSTEN (PAAR) | 2 | | CARB 5X6X1 |
| 32 | 319-918 | BURSTENKAPPE WR12DM/WH12DM | 2 | | BRUSH |
| 33 | 302-086 | SCHNEIDSCHRAUBE D4X20 M FLANSCH (SCHWARZ) | 8 | | TAPPI (W/FL. (BLAC |
| 34 | | | 1 | | NAME |
| 35 | 324-240 | Gehäuse A+B Set WH18DMR | 1 | | HOUS SET |
| 35 | 327-051 | Gehäuse A+B (18V / slow motion) | 1 | FOR SAVE MODE | HOUS SET |
| 36 | 324-514 | Hitachi Schild WH18DMR | 1 | | HITAC |
| 37 | 994-532 | #NAME? | 2 | | MACH (W/SP. M3X5 |
| 38A | 321-533 | Schalter WR14DM | 1 | | DC-SP CONT |
| 39 | 324-225 | Druckknopf (B) WH14DMR | 1 | | PUSHI (B) |
| 40 | 321-918 | Haken incl Beleuchtung WH12DM2 | 1 | "INCLUD.41,42" | HOOK (W/LIC |
| 41 | 321-672 | Schraube D2x6 | 2 | | TAPPI D2X6 |
| 42 | 320-288 | V-MUTTER M5 WR12DM/WH12DM | 1 | | V-LOC |

| | | | | | |
|-----|----------|---|---|------------------|--------------------------|
| 43 | 306-952 | HALTESCHLAUFEDN10DY/DS10DV/WR14DH DS14/D | 1 | | STRAI |
| 44 | | | 1 | | CAUT. (B) |
| 044 | 000-008D | | 0 | "FOR USA,CAN" | |
| 45 | 319-926 | HAKENFEDER WR12DM/WH12DM | 1 | | HOOK |
| 46 | 320-881 | Spezial Schraube (A) M5 (WR14DM DS14D | 1 | | SPECI M5 |
| 47 | 322-878 | | 2 | | "BATT 1826H (EURC |
| 47 | 323-564 | | 2 | | "BATT 1830H |
| 47 | 322-876 | | 2 | "FOR NZL,AUS" | "BATT 1830H (EURC |
| 47 | 322-880 | | 2 | | "BATT 1820L (EURC |
| 48A | 327-053 | | 1 | FOR SAVE MODE | LEVEL |
| 49 | 327-052 | | 1 | FOR SAVE MODE | LEVEL |
| 501 | | | 1 | | CHAR UC 24' |
| 501 | | | 1 | | CHAR UC 18' |
| 502 | 323-230 | Plastikkoffer DS9DVB/DS12DVB/DS14DVB/DS9 | 1 | | CASE |
| 601 | 321-823 | Bohrfutter und Adaptersatz | 1 | "INCLUD.616,618" | DRILL ADAP' |
| 602 | 309-922 | FETT 500G FUR WF4DY/WR12DM WH12DM/WR14DH | 1 | | GREA. IMPAC (500G) |
| 603 | 992-671 | | 1 | | + DRIV NO.2 5 |
| 604 | 992-672 | | 1 | | + DRIV NO.3 5 |
| 605 | 996-177 | STECKSCHLUSSEL SW8X65L | 1 | | NON-M HEX. S 65L |
| 606 | 985-329 | | 1 | | NON-M HEX. S 10MM |
| | 996- | STECKSCHLUSSEL SW12X65L Neue Art -Nr | | | NON-M |

| | | | | | | |
|-----|-------------|--|--|---|--|--------------------------|
| 607 | 178 | 75 | | 1 | | HEX. S 12MM |
| 608 | 996- 179 | | | 1 | | NON-M HEX. S 13MM |
| 609 | 996- 180 | STECKSCHLUSSEL SW14X65L | | 1 | | NON-M HEX. S 14MM |
| 610 | 996- 185 | STECKSCHLUSSEL SW15X65L | | 1 | | NON-M HEX. S 15MM |
| 611 | 996- 181 | STECKSCHLUSSEL SW16X65L | | 1 | | NON-M HEX. S 16MM |
| 612 | 996- 182 | STECKSCHLUSSEL SW17X110L Neue Art -Nr 7 | | 1 | | NON-M HEX. S 17MM |
| 613 | 996- 186 | STECKSCHLUSSEL SW19X110L Neue Art -Nr 7 | | 1 | | NON-M HEX. S 19MM |
| 614 | 996- 197 | STECKSCHLUSSEL SW21X166L | | 1 | | HEX. S (LONC |
| 615 | 996- 184 | | | 1 | | BIT PI |
| 616 | 987- 575 | | | 1 | | "CHUC FOR 10 D,10V |
| 617 | 930- 119 | BOHRFUTTERSCHLUSSEL(BOHRF 10MM) | | 1 | | CHUC 6.5G |
| 618 | 307- 543 | | | 1 | | CHUC |