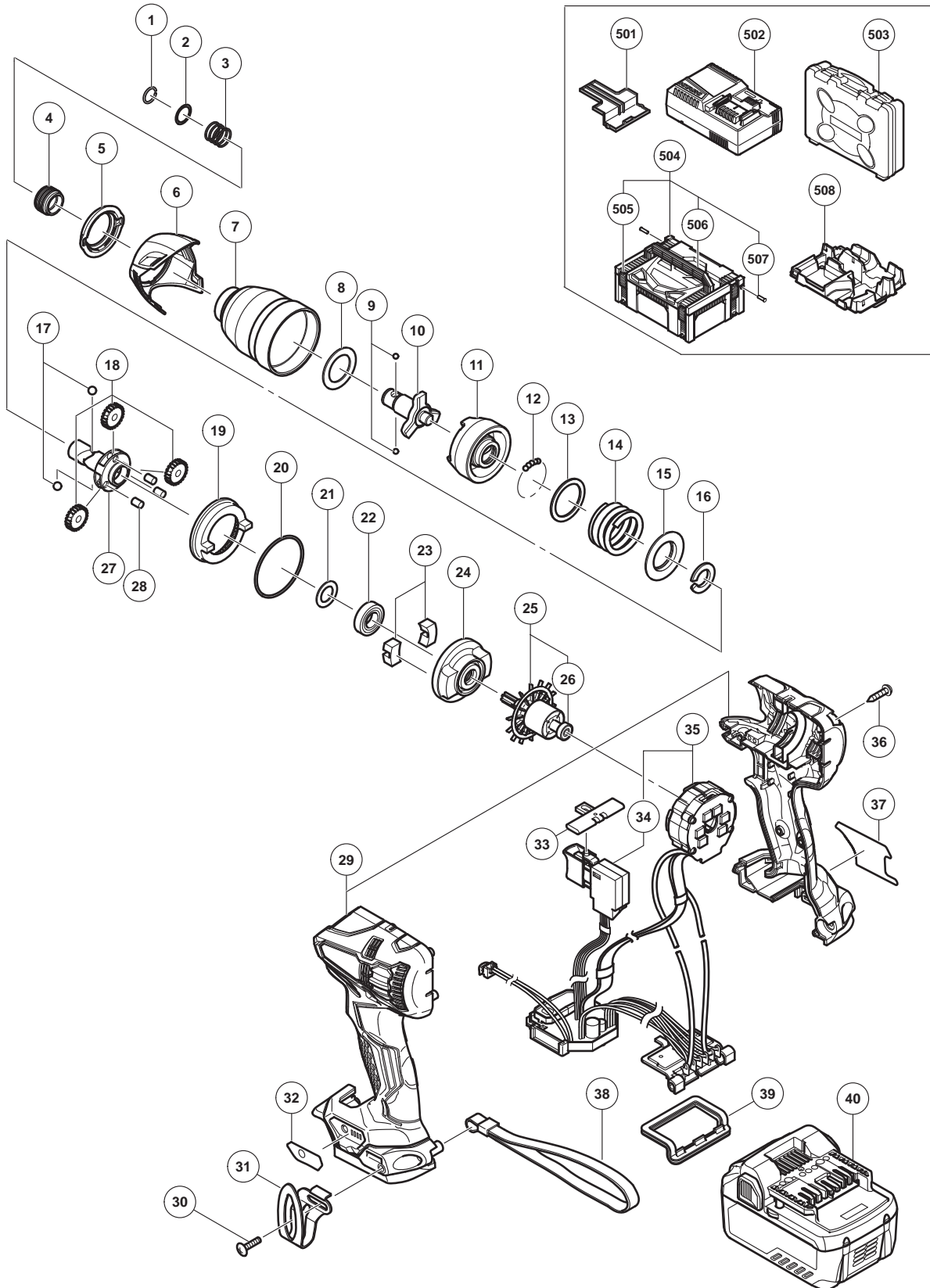


ELECTRIC TOOL PARTS LIST

CORDLESS IMPACT DRIVER Model WH 36DB

2017-12-1
(E1)



PARTS

WH 36DB

ITEM NO.	CODE NO.	DESCRIPTION	NO. USED	REMARKS
1	330619	RETAINING RING	1	
2	330856	WASHER (D)	1	
3	370581	GUIDE SPRING	1	
4	339350	GUIDE SLEEVE	1	
5	339198	FRONT CAP	1	
6	370575	PROTECTOR	1	
7	370578	HAMMER CASE	1	
8	370579	WASHER (F)	1	
9	319535	STEEL BALL D3.5 (10 PCS.)	2	
* 10	370570	ANVIL (S)	1	
* 10	370571	ANVIL (L)	1	FOR CHN
11	339192	HAMMER	1	
12	959148	STEEL BALL D3.175 (10 PCS.)	28	
13	370580	WASHER (J)	1	
14	339194	HAMMER SPRING	1	
15	316172	WASHER (S)	1	
16	370582	STOPPER	1	
17	959154	STEEL BALL D5.556 (10 PCS.)	2	
18	370584	IDLE GEAR SET (3 PCS.)	3	
19	370160	RING GEAR	1	
20	983852	O-RING (S-42)	1	
21	370583	WASHER (E)	1	
22	6901VV	BALL BEARING 6901VV	1	
23	333952	DAMPER	2	
24	335317	INNER COVER (E)	1	
25	361046	ROTOR PINION ASS'Y	1	INCLUD.26
26	335723	BALL BEARING 604DD	2	
27	339193	SPINDLE	1	
28	370585	NEEDLE ROLLER	3	
29	373025	HOUSING (A).(B) SET	1	
30	327001	TRUSS HD. SCREW M4 (BLACK)	1	
31	372229	HOOK	1	
32	370573	PANEL SHEET (EX)	1	
33	324225	PUSHING BUTTON (B)	1	
34	339217	DC-SPEED CONTROL SWITCH	1	
35	373024	WIRING ASS'Y	1	INCLUD.34
36	313687	TAPPING SCREW (W/FLANGE) D3 X 16 (BLACK)	9	
37		NAME PLATE	1	
38	306952	STRAP (BLACK)	1	
39	370728	TERMINAL RUBBER (A)	1	
* 40	371750	BATTERY BSL 36A18 (EUROPE,AUS,NZL)	2	INCLUD.501
* 40	372121	BATTERY BSL 36B18 (USA,CAN)	2	INCLUD.501

STANDARD ACCESSORIES

WH 36DB

ITEM NO.	CODE NO.	DESCRIPTION	NO. USED	REMARKS
501	329897	BATTERY COVER	1	
502		CHARGER (MODEL UC 18YSL3)	1	
* 503	339778	CASE	1	
* 504	336471	CASE ASS'Y (STACKABLE 2)	1	INCLUD.505-507
* 505	336472	LATCH	4	
* 506	336473	HANDLE	1	
* 507	336474	HINGE	2	
* 508	336475	INNER TRAY	1	

OPTIONAL ACCESSORIES

ITEM NO.	CODE NO.	DESCRIPTION	NO. USED	REMARKS
* 601	992671	+ DRIVER BIT (B) NO.2 50L	1	EXCEPT FOR CHN
* 602	992672	+ DRIVER BIT (B) NO.3 50L	1	EXCEPT FOR CHN
* 603	983006	+ DRIVER BIT NO.2 65L	1	FOR CHN
* 604	983011	+ DRIVER BIT NO.3 65L	1	FOR CHN
* 605	321823	DRILL CHUCK AND ADAPTER SET	1	INCLUD.606,607 EXCEPT FOR CHN
* 606	307543	CHUCK ADAPTER	1	EXCEPT FOR CHN
* 607	987575	CHUCK WRENCH FOR 10VLB-D,10VLR-D	1	EXCEPT FOR CHN
608	306927	SILICONE RUBBER	1	
609	309922	GREASE (ATTOLUB MS NO.2) 500G	1	
610	325149	GREASE (MOLUB-ALLOY NO.777-1) 75G	1	