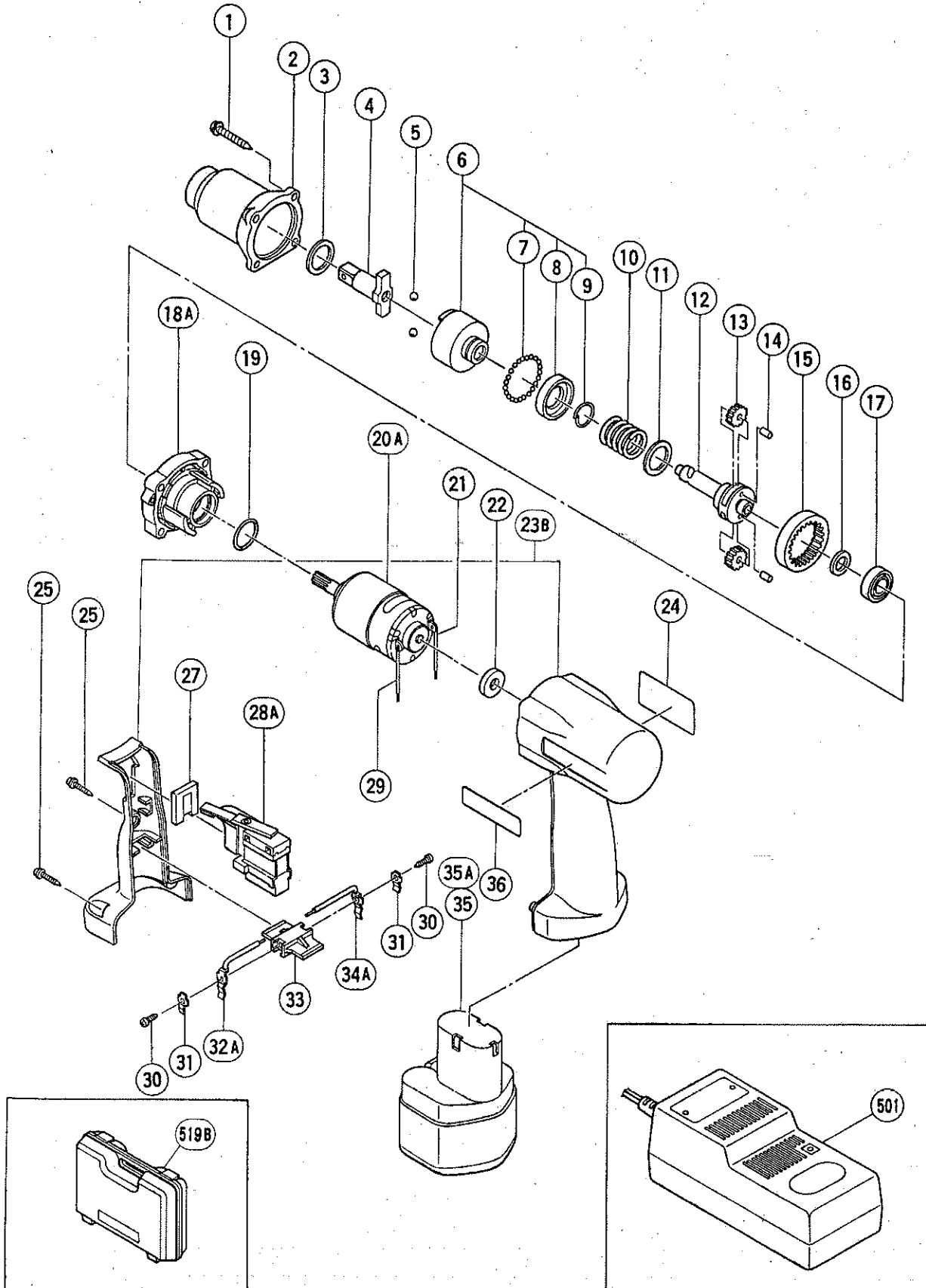


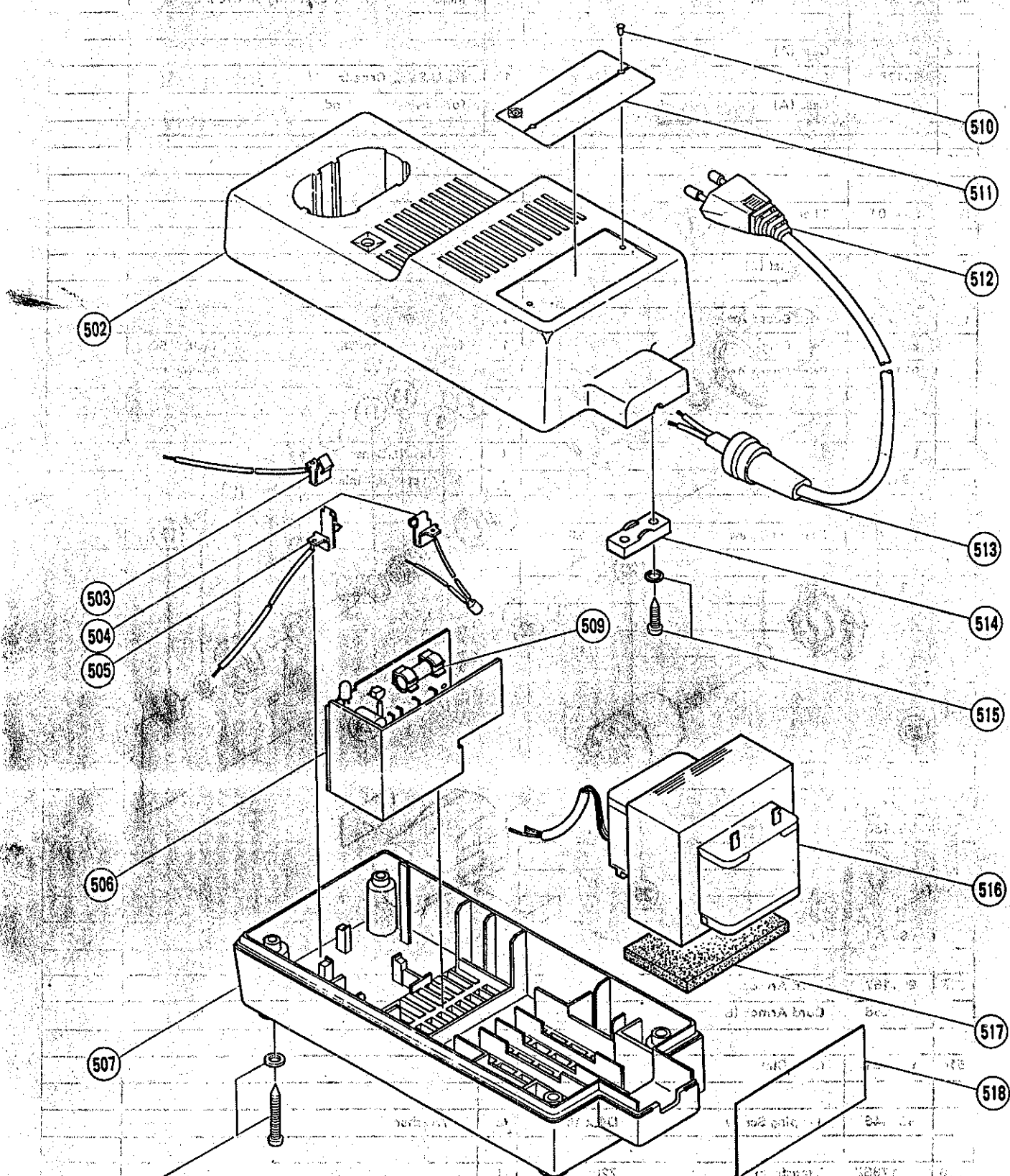
ELECTRIC TOOL PARTS LIST**■ CORDLESS IMPACT WRENCH**

1989-10-30

Model WH 8D

WH 8D(E2)





Part No.	Description	QTY	Part No.	Description	QTY
502	Case	1	503	Control Panel	1
503	Control Panel	1	504	Control Panel Bracket	1
504	Control Panel Bracket	1	505	Control Panel Screw	1
505	Control Panel Screw	1	506	Control Panel Mounting Plate	1
506	Control Panel Mounting Plate	1	507	Control Panel Screw	1
507	Control Panel Screw	1	508	Control Panel Screw	1
508	Control Panel Screw	1	509	Terminal Block	1
509	Terminal Block	1	510	Top Cover	1
510	Top Cover	1	511	Power Cord	1
511	Power Cord	1	512	Power Plug	1
512	Power Plug	1	513	Terminal Block	1
513	Terminal Block	1	514	Screw	1
514	Screw	1	515	Transformer	1
515	Transformer	1	516	Transformer Base	1
516	Transformer Base	1	517	Transformer Mounting Plate	1
517	Transformer Mounting Plate	1	518	Transformer Label	1
518	Transformer Label	1			

PARTS

WH8D(E1)

Item No.	Code No.	Part Name	Q'ty	Remarks
1	996146	Tapping Screw D4 x 30	4	W/Spring Lock Washer
2	996112	Hammer Case 302 865	1	
3	996111	Washer (A)	1	
4	—	Anvil	1	See alternative parts
5	959154	Steel Ball D5.55	2	(10 pcs.)
6	996108	Hammer Ass'y	1	includ. 7 - 9
7	959148	Steel Ball D3.17	21	(10 pcs.)
8	996109	Spring Seat	1	
9	996110	Retaining Ring	1	
10	996107	Spring	1	
11	996106	Washer (B)	1	
12	996105	Spindle	1	
13	991448	Idle Gear	2	
14	991449	Needle Roller	2	
15	996104	Ring Gear	1	
16	991455	Washer (C)	1	
17	991478	Ball Bearing (6001C2)	1	
18	996103	Inner Cover	1	
19	876078	O-Ring (S-20)	1	
20	996101	Motor	1	
21	996114	Internal Wire (B)	1	
22	996102	Rubber Ring	1	
23	996100	Housing 300.207*	1	
24	—	Name Plate	1	
25	930446	Tapping Screw D4 x 16	3	W/Washer
26	996120	Handle Cover 300.207*	1	
27	980834	Seal	1	
28	996115	Switch 995.4261	1	
29	996113	Internal Wire (B)	1	
30	958715	Tapping Screw D4 x 10	2	
31	996118	Holder Spring	2	
32	996116	Terminal	1	
33	996119	Terminal Piece 302 483	1	
34	996117	Terminal	1	
35	—	Battery	1	See alternative parts
36	987679	HITACHI Label	1	

ALTERNATIVE PARTS

Item No.	Code No.	Part Name	Q'ty	Remarks
4	996121	Anvil (A) (Pin, O-ring Type)	1	
	996122	Anvil (B) (Plunger Type)	1	
35	991642Z	Battery (Model EB9, W/English N.P.)	1	
	991644Z	Battery (Model EB9, W/English N.P.)	1	for U.S.A., Canada
	991641Z	Battery (Model EB9, W/German N.P.)	1	
	991643Z	Battery (Model EB9, W/French N.P.)	1	

STANDARD ACCESSORIES

WH8D(E1)

Item No.	Code No.	Part Name	Q'ty	Remarks
501	—	Charger (Model UC9)	1	Includ. 502-518 Depending on Order Spec.
502	991780	Case (A)	1	
	991781	Case (A)	1	for U.S.A., Canada
	991782	Case (A)	1	for Australia, Finland
503	991797	Terminal (A)	1	
504	991801	Thermo Fuse	1	
505	991798	Terminal (B)	1	
506	991793Z	Print Board Ass'y	1	Includ. 509
	991794Z	Print Board Ass'y	1	for U.S.A., Canada Includ. 509
	991806	Print Board Ass'y	1	for Switzerland Includ. 509
507	991783	Case (B)	1	
	991784	Case (B)	1	for U.S.A., Canada
	991785	Case (B)	1	for Australia, Finland
508	982095	Tapping Screw D4 x 20	4	W/Washer
509	991799	Fuse	1	
	991707	Fuse	1	for U.S.A., Canada
510	949510	Rivet D2.5 x 4.8	2	for U.S.A., Canada (10 pcs.)
511	—	Name Plate	1	
512	980642Z	Cord 220V ~ 230V	1	
	984431Z	Cord 120V	1	for U.S.A., Canada
	991166	Cord 220V	1	for Finland
	984430Z	Cord 230V	1	for Sri Lanka
	980643Z	Cord 230V	1	for N.Z.
	980644Z	Cord 240V	1	for U.K.
	980611	Cord 240V	1	for Australia
513	991167	Cord Armor	1	
	991168	Cord Armor (B)	1	for Finland
514	937631	Cord Clip	1	
515	930446	Tapping Screw D4 x 16	2	w/Washer
516	991788Z	Transformer 220V	1	
	991808	Transformer 120V	1	for U.S.A.
	991787Z	Transformer 120V	1	for Canada
	991805	Transformer 220V	1	for Norway
	991790Z	Transformer 230V	1	for N.Z., Sri Lanka, Singapore
	991804	Transformer 240V	1	for Australia
	991803	Transformer 240V	1	for U.K.
517	984404	Cushion	1	

STANDARD ACCESSORIES

WH8D(E1)

Item No.	Code No.	Part Name	Q'ty	Remarks
518	991802	Plate	1	
519	995315	Case	1	Depending on Order Spec.

OPTIONAL ACCESSORIES

Item No.	Code No.	Part Name	Q'ty	Remarks
601	996125	Hexagon Socket Ass'y 8 mm	1	Includ. 602, 603
602	996124	Socket Pin (A)	1	
603	873095	O-Ring (P16)	1	
604	996126	Hexagon Socket Ass'y 10 mm	1	Includ. 602, 603
605	996127	Hexagon Socket Ass'y 12 mm	1	Includ. 602, 603
606	996128	Hexagon Socket Ass'y 13 mm	1	Includ. 607, 608
607	996123	Socket Pin (B)	1	
608	873570	O-Ring (P18)	1	
609	996129	Hexagon Socket Ass'y 14 mm	1	Includ. 607, 608
610	996130	Hexagon Socket Ass'y 16 mm	1	Includ. 607, 608
611	996131	Hexagon Socket Ass'y 17 mm	1	Includ. 607, 608
612	996132	Hexagon Socket Ass'y 18 mm	1	Includ. 607, 608
613	996133	Hexagon Socket Ass'y 19 mm	1	Includ. 607, 608
614	996134	Long Hexagon Socket Ass'y 8 mm	1	Includ. 602, 603
615	996135	Long Hexagon Socket Ass'y 10 mm	1	Includ. 602, 603
616	996136	Long Hexagon Socket Ass'y 12 mm	1	Includ. 602, 603
617	996137	Long Hexagon Socket Ass'y 13 mm	1	Includ. 607, 608
618	996138	Long Hexagon Socket Ass'y 14 mm	1	Includ. 607, 608
619	996139	Long Hexagon Socket Ass'y 16 mm	1	Includ. 607, 608
620	996140	Long Hexagon Socket Ass'y 17 mm	1	Includ. 607, 608
621	996141	Long Hexagon Socket Ass'y 18 mm	1	Includ. 607, 608
622	996142	Long Hexagon Socket Ass'y 19 mm	1	Includ. 607, 608
623	996143	Extension Bar Ass'y	1	Includ. 602, 603
624	996144	Bit Adapter Ass'y	1	Includ. 602, 603
625	996145	Adapter Ass'y 12.7 ^L	1	Includ. 607, 608
626	996147	Universal Joint Ass'y	1	Includ. 607, 608
627	930036	Grease (contained tube)	1	