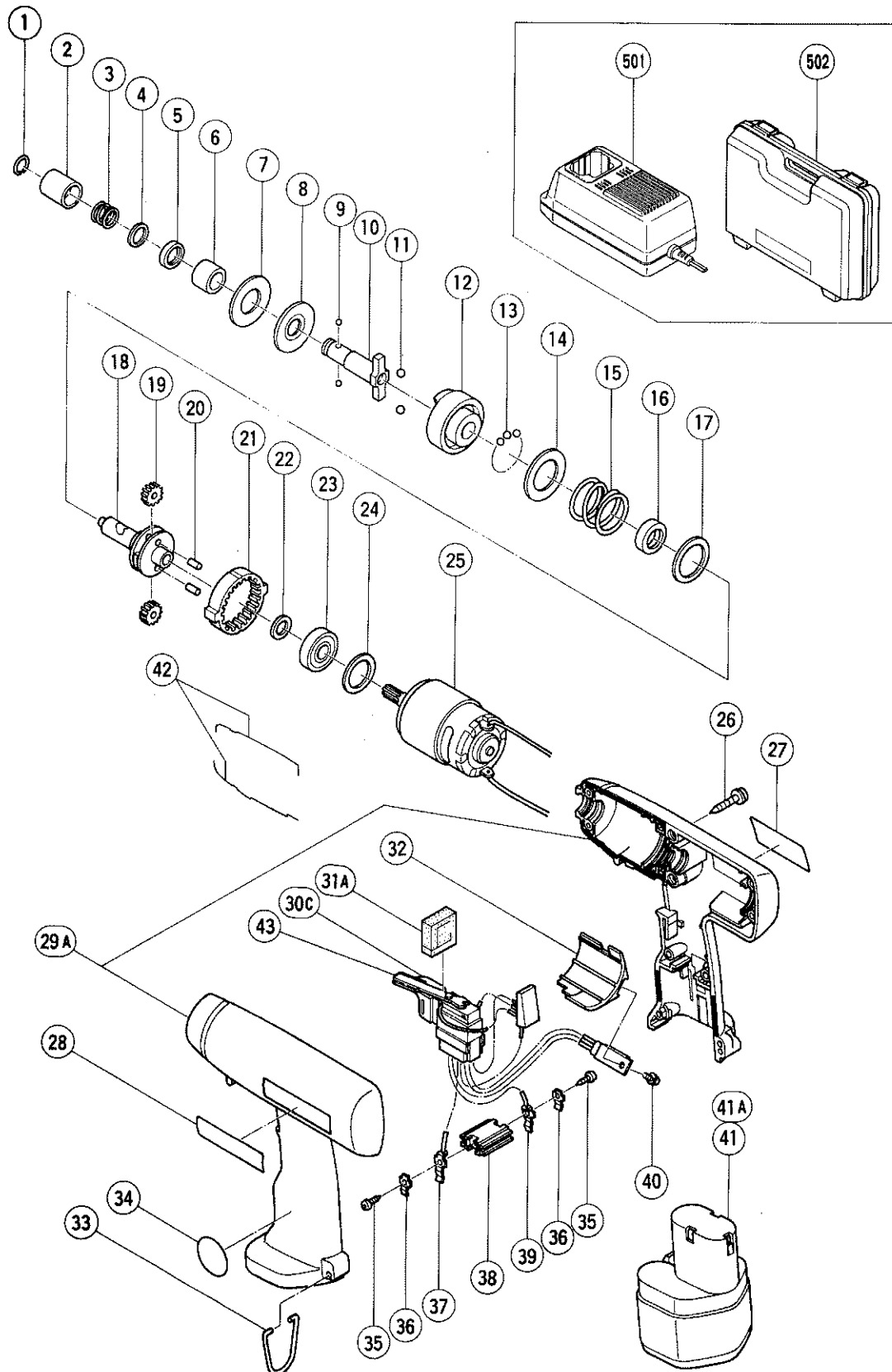


ELECTRIC TOOL PARTS LIST

■ CORDLESS IMPACT DRIVER
Model WH 8DC

1993 · 6 · 30
(E2)



PARTS

WH 8DC

ITEM NO.	CODE NO.	DESCRIPTION	NO. USED	REMARKS
1	995-933	RETAINING RING	1	
2	995-932	GUIDE SLEEVE	1	
3	995-931	GUIDE SPRING	1	
4	996-170	WASHER (D)	1	
5	302-326	OIL SEAL	1	
6	302-327	METAL	1	
7	302-328	RUBBER WASHER	1	
8	302-329	WASHER (F)	1	
9	959-148	STEEL BALL D3.175 (10 PCS.)	2	
10	996-172	ANVIL (D)	1	
11	959-154	STEEL BALL D5.558 (10 PCS.)	2	
12	302-330	HAMMER	1	
13	959-155	STEEL BALL D3.97 (10 PCS.)	21	
14	302-331	WASHER (G)	1	
15	302-334	SPRING	1	
16	302-335	STOPPER	1	
17	302-333	WASHER (H)	1	
18	302-332	SPINDLE	1	
19	991-448	IDLE GEAR	2	
20	991-449	NEEDLE ROLLER	2	
21	302-337	RING GEAR	1	
22	991-455	WASHER (C)	1	
23	600-1VV	BALL BEARING 6001VVCMP52L	1	
24	302-336	WASHER (E)	1	
25	302-340	MOTOR	1	
26	301-853	TAPPING SCREW (W/FLANGE) D4X20 (BLACK)	9	
27		NAME PLATE	1	
28		HITACHI LABEL	1	
29A	302-873	HOUSING (A),(B) SET	1	INCLUD.42
30C	307-648	SWITCH ASS'Y (1P PLUG IN TYPE) W/O LOCK	1	INCLUD.37,39,43
31A	992-078	SEAL	1	
32	302-342	FIN	1	
33	980-838	HOOK	1	
34		MARK PLATE	1	
35	958-715	TAPPING SCREW D4X10	2	
36	996-118	HOLDER SPRING	2	
37	302-338	TERMINAL	1	
38	302-874	TERMINAL PIECE	1	
39	300-204	TERMINAL	1	
40	301-791	MACHINE SCREW (W/SP. WASHER) M3.5X6	1	
* 41	991-642Z	BATTERY EB 9 (W/ENGLISH N.P.)	1	
* 41A	991-681	BATTERY EB 9 (W/ENGLISH N.P.)	1	FOR DEN,SWE,HOL,SUI,NOR
42	303-205	SILICON TUBE	2	
43	306-845	REVERSING SWITCH	1	

*: ALTERNATIVE PARTS

STANDARD ACCESSORIES

WH 8DC

ITEM NO.	CODE NO.	DESCRIPTION	NO. USED	REMARKS
501		CHARGER (MODEL UC 12Y)	1	
502	302-344	CASE	1	

OPTIONAL ACCESSORIES

ITEM NO.	CODE NO.	DESCRIPTION	NO. USED	REMARKS
601	992-671	+ DRIVER BIT (B) NO.2 50L	1	
602	992-672	+ DRIVER BIT (B) NO.3 50L	1	
603	996-177	NON - MAGNETIC HEX. SOCKET 8MM 65L	1	
604	985-329	NON - MAGNETIC HEX. SOCKET 10MM 65L	1	
605	996-178	NON - MAGNETIC HEX. SOCKET 12MM 65L	1	
606	996-179	NON - MAGNETIC HEX. SOCKET 13MM 65L	1	
607	996-180	NON - MAGNETIC HEX. SOCKET 14MM 65L	1	
608	996-185	NON - MAGNETIC HEX. SOCKET 15MM 65L	1	
609	996-181	NON - MAGNETIC HEX. SOCKET 16MM 65L	1	
610	996-182	NON - MAGNETIC HEX. SOCKET 17MM 65L	1	
611	996-186	NON - MAGNETIC HEX. SOCKET 19MM 65L	1	
612	996-197	HEX. SOCKET (LONG) 21MMX166L	1	
613	959-183	DRILL BIT FOR WOOD (HEX. SHAFT) D14X83	1	
614	996-195	DRILL CHUCK AND ADAPTER SET	1	

*: ALTERNATIVE PARTS