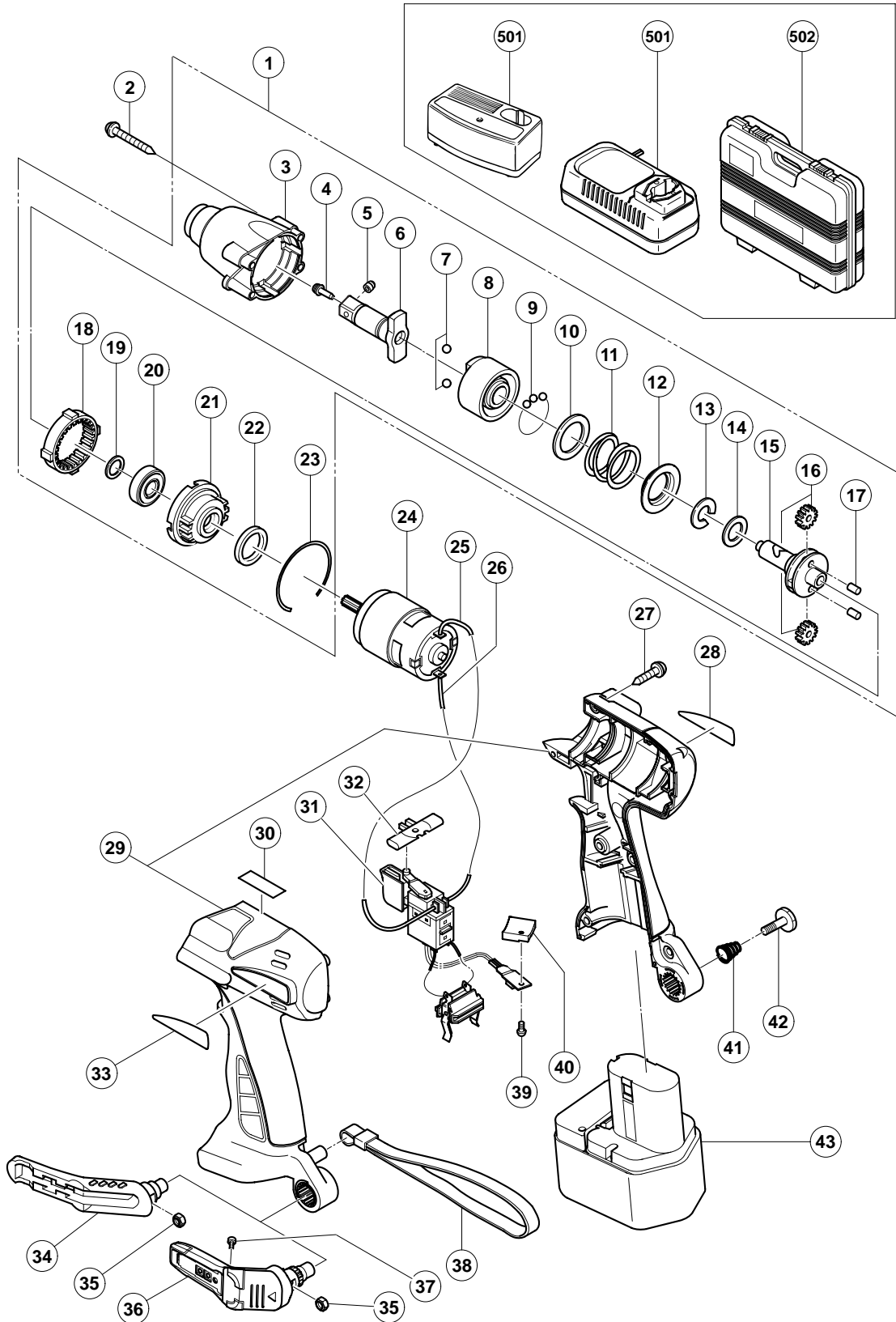


ELECTRIC TOOL PARTS LIST

■ **CORDLESS IMPACT WRENCH** 2004 • 6 • 10
Model WR 12DAF (E1)



PARTS

WR 12DAF

ITEM NO.	CODE NO.	DESCRIPTION	NO. USED	REMARKS
1	323-188	GEAR BOX ASS'Y	1	INCLUD. 3-23
2	306-305	TAPPING SCREW (W/SP. WASHER) D4X35 (BLACK)	4	
3	323-189	HAMMER CASE	1	
4	323-194	PIN RETAINER	1	
5	323-193	PLUNGER	1	
6	323-192	ANVIL (C)	1	INCLUD. 4, 5
7	959-154	STEEL BALL D5.556 (10 PCS.)	2	
8	321-886	HAMMER	1	
9	321-934	STEEL BALL D3 (10 PCS.)	28	
10	315-978	WASHER (J)	1	
11	316-170	SPRING	1	
12	316-172	WASHER (S)	1	
13	316-171	STOPPER	1	
14	321-888	WASHER	1	
15	321-889	SPINDLE	1	
16	321-882	IDLE GEAR SET (2 PCS.)	2	
17	321-883	NEEDLE ROLLER	2	
18	321-891	RING GEAR	1	
19	321-890	WASHER (C)	1	
20	600-1VV	BALL BEARING 6001VVCMP2L	1	
21	321-892	INNER COVER	1	
22	321-894	DAMPER	1	
23	321-893	RETAINING RING	1	
24	321-874	MOTOR	1	
25	321-876	INTERNAL WIRE (RED) 115L	1	
26	321-877	INTERNAL WIRE (BLACK) 60L	1	
27	302-086	TAPPING SCREW (W/FLANGE) D4X20 (BLACK)	7	
28		NAME PLATE	1	
29	321-913	HOUSING (A).(B) SET	1	
* 30		CAUTION PLATE	1	FOR USA, CAN
31	321-917	DC-SPEED CONTROL SWITCH	1	
32	321-871	PUSHING BUTTON	1	
33		HITACHI LABEL	1	
* 34	320-287	HOOK ASS'Y	1	INCLUD. 35
* 35	320-288	V-LOCK NUT M5	1	FOR USA, CAN
* 36	321-918	HOOK ASS'Y (W/LIGHT)	1	INCLUD. 35, 37 FOR USA, CAN
* 37	321-672	TAPPING SCREW D2X6	2	FOR USA, CAN
38	318-349	STRAP (YELLOW)	1	
39	320-777	MACHINE SCREW (W/SP. WASHER) M3X4	1	
40	320-776	FIN	1	
41	319-926	HOOK SPRING	1	
42	319-927	SPECIAL SCREW M5	1	
* 43	320-608	BATTERY EB 1214L (W/ENGLISH N.P.)	2	
* 43	320-387	BATTERY EB 1220BL (W/ENGLISH N.P.)	2	
* 43	320-386	BATTERY EB 1220BL (W/ENGLISH N.P.)	2	FOR USA, CAN

