

HITACHI

ORIGINAL

LIST NO. F864

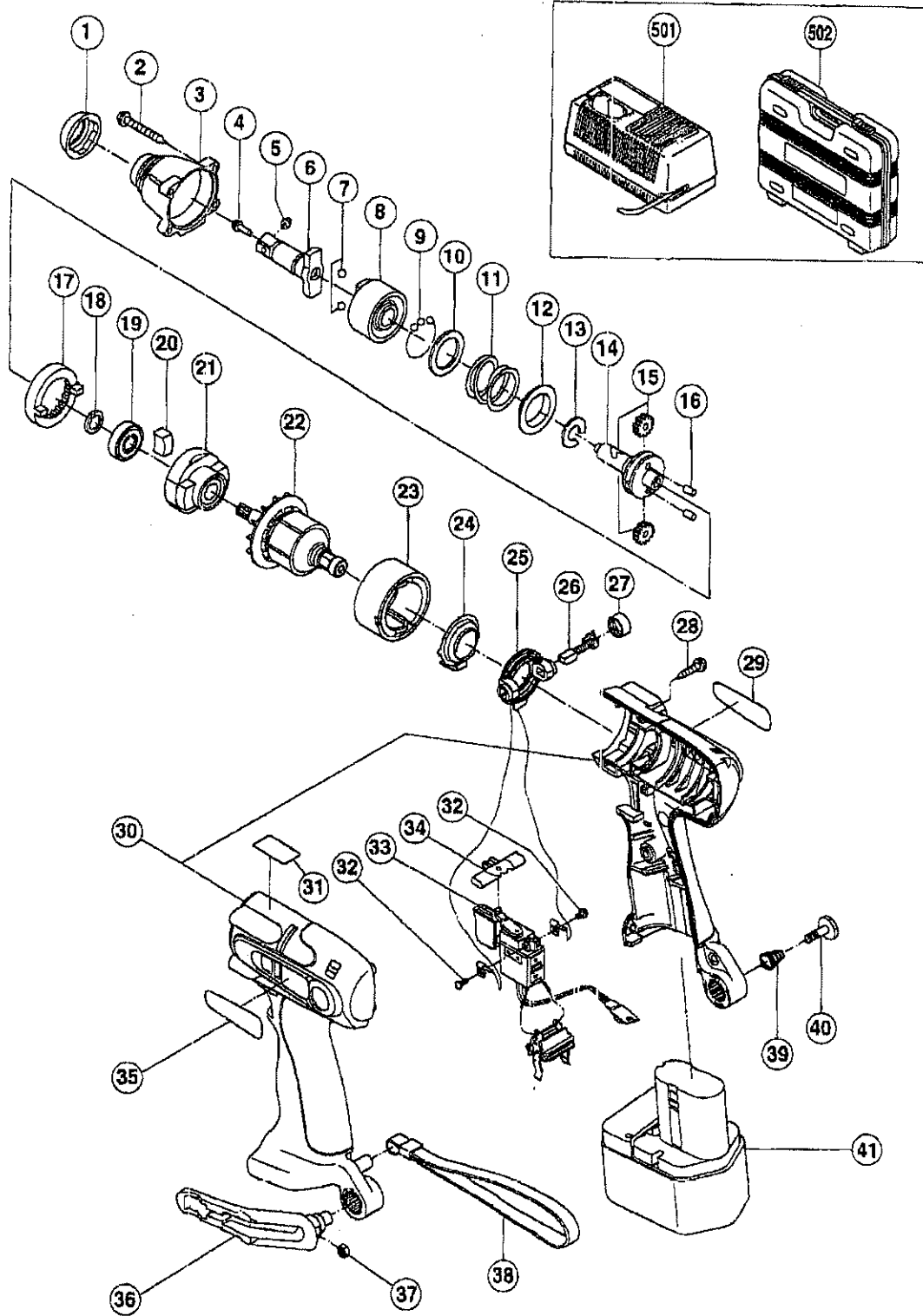
ELECTRIC TOOL PARTS LIST

■ CORDLESS IMPACT WRENCH

2001.10.25

Model WR 12DM

(E1)



To HTE
 Attn Ms. Mrs. Felder
 Date 28-dec-01

Parts Price List for WR12DM

No.	Co./No.	Description
1	320-383	FRONT CAP
2	319-917	TAPPING SCREW (W/SP. WASHER) D4X25(BLAC)
3	320-382	HAMMER CASE
4	985-209 ✓	PIN RETAINER
5	985-208 ✓	PLUNGER
6	320-384	ANVIL (L) ASS'Y
7	959-154 ✓	STEEL BALL D5.556 (10 PCS.)
8	319-916	HAMMER
9	959-148 ✓	STEEL BALL D3.175 (10 PCS.)
10	315-978 ✓	WASHER (J)
11	319-915	HAMMER SPRING
12	316-172 ✓	WASHER (S)
13	316-171 ✓	STOPPER
14	319-912	SPINDLE
15	319-913	IDLE GEAR SET (2 PCS.)
16	319-914	NEEDLE ROLLER
17	319-910	RING GEAR
18	319-911	WASHER (E)
19	690-1VV	BALL BEARING 6901VVCMP52L
20	319-909	DAMPER
21	319-908	INNER COVER
22	360-557	ARMATURE ASS'Y (W/BALL BEARING) DC 12V
23	319-919	MAGNET
24	319-907	DUST GUARD FIN
25	320-376	BRUSH BLOCK
26	999-054 ✓	CARBON BRUSH 5X6X11.5 (1 PAIR)
27	319-918	BRUSH CAP
28	302-086 ✓	TAPPING SCREW (W/FLANGE) D4X20 (BLACK)
* 29		NAME PLATE
30	320-381	HOUSING (A)(B) SET
* 31		CAUTION PLATE
32	994-532 ✓	MACHINE SCREW (W/SP. WASHER) M3X5
33	319-906	DC-SPEED CONTROL SWITCH
34	316-166 ✓	PUSHING BUTTON
35		HITACHI LABEL
36	320-378	HOOK ASS'Y
37	320-288	V-LOCK NUT M5
38	306-952 ✓	STRAP (BLACK)
39	319-926	HOOK SPRING
40	319-927	SPECIAL SCREW M5
* 41	1320-387 ✓	BATTERY EB 1220BL (W/ENGLISH N.P.)
* 41	2320-386 ✓	BATTERY EB 1220BL (W/ENGLISH N.P.)
* 41	3320-388 ✓	BATTERY EB 1230HL (W/ENGLISH N.P.)

To HTE
 Attn Ms. Mrs. Felder
 Date 28-dec-01

Parts Price List for WR12DM

2	STANDARD ACC	ACCESSORIES
501		CHARGER (MODEL UC 14YF2)
502	320-377	CASE
3	OPTIONAL ACC	ACCESSORIES
*601	1310-378	BATTERY EB 12B (W/ENGLISH N.P.)
*601	2310-452	BATTERY EB 12B (W/ENGLISH N.P.)
*601	3310-453	BATTERY EB 12B (W/ENGLISH N.P.)
602		CORNER ATTACHMENT ASS'Y
603	955-300	HOUSING
604	955-301	METAL
605	955-302	SPINDLE
606		HITACHI LABEL
607	955-303	BEARING RACE
608	955-304	NEEDLE THRUST BEARING (NTA-1413)
609	955-305	COVER
610	955-306	NEEDLE BEARING (NTN BK1012)
611	948-227	RETAINING RING FOR D47 HOLE
612	955-307	PINION
613	955-308	SLEEVE
614	955-309	WASHER
615	955-310	SOCKET COVER
616	955-311	SOCKET
617	303-247	SEAL LOCK HEX. SOCKET HD. BOLT M5X25
618	873-537	SOCKET PIN
619	873-187	O-RING (JISW1516)
620	991-481	FORM TIE SOCKET ASS'Y 11.3MMX95L
621	992-610	UNIVERSAL JOINT ASS'Y
622	955-153	UNIVERSAL JOINT PIN
623	991-476	BIT ADAPTER ASS'Y
624	944-291	HEX. SOCKET ASS'Y 10MMX40L
625	873-632	HEX. SOCKET ASS'Y 12MMX40L
626	873-539	HEX. SOCKET ASS'Y 13MMX40L
627	873-540	HEX. SOCKET ASS'Y 14MMX40L
628	873-536	HEX. SOCKET ASS'Y 17MMX32L
629	873-624	HEX. SOCKET ASS'Y 19MMX34L
630	873-626	HEX. SOCKET ASS'Y 21MMX36L
631	873-627	HEX. SOCKET ASS'Y 22MMX40L
632	955-138	HEX. SOCKET ASS'Y (LONG) 12MMX52L
633	955-139	HEX. SOCKET ASS'Y (LONG) 13MMX52L
634	955-140	HEX. SOCKET ASS'Y (LONG) 14MMX52L
635	955-141	HEX. SOCKET ASS'Y (LONG) 17MMX52L
636	955-149	HEX. SOCKET ASS'Y (LONG) 17MMX75L
637	955-142	HEX. SOCKET ASS'Y (LONG) 19MMX52L
638	955-150	HEX. SOCKET ASS'Y (LONG) 19MMX75L

To HTE
 Attn Ms. Mrs. Felder
 Date 28-dec-01

Parts ~~Price~~ List for WR12DM

639	955-143	✓	HEX. SOCKET ASS'Y (LONG) 21MMX52L	1
640	955-151	✓	HEX. SOCKET ASS'Y (LONG) 21MMX75L	1
641	991-480		HEX. SOCKET ASS'Y (LONG) 21MMX125L	1
642	955-144	✓	HEX. SOCKET ASS'Y (LONG) 22MMX52L	1
643	986-058		HEX. SOCKET FOR PLASTIC CONE 12MMX70L	1
644	873-633	✓	EXTENSION BAR ASS'Y (SQUARE) 12.7MMX100L	1
645	993-658		SOCKET ASS'Y FOR DUCT 12MMX95L	1
646	993-659		SOCKET FOR DUCT 12MMX52L	1
647	992-613		SOCKET ASS'Y FOR DUCT 13MMX95L	1
648	992-614		SOCKET FOR DUCT 13MMX52L	1
649	992-615		SOCKET ASS'Y FOR DUCT 14MMX95L	1
650	992-616		SOCKET FOR DUCT 14MMX52L	1
651	309-922	✓	GREASE FOR IMPACT DRIVER (500G)	1