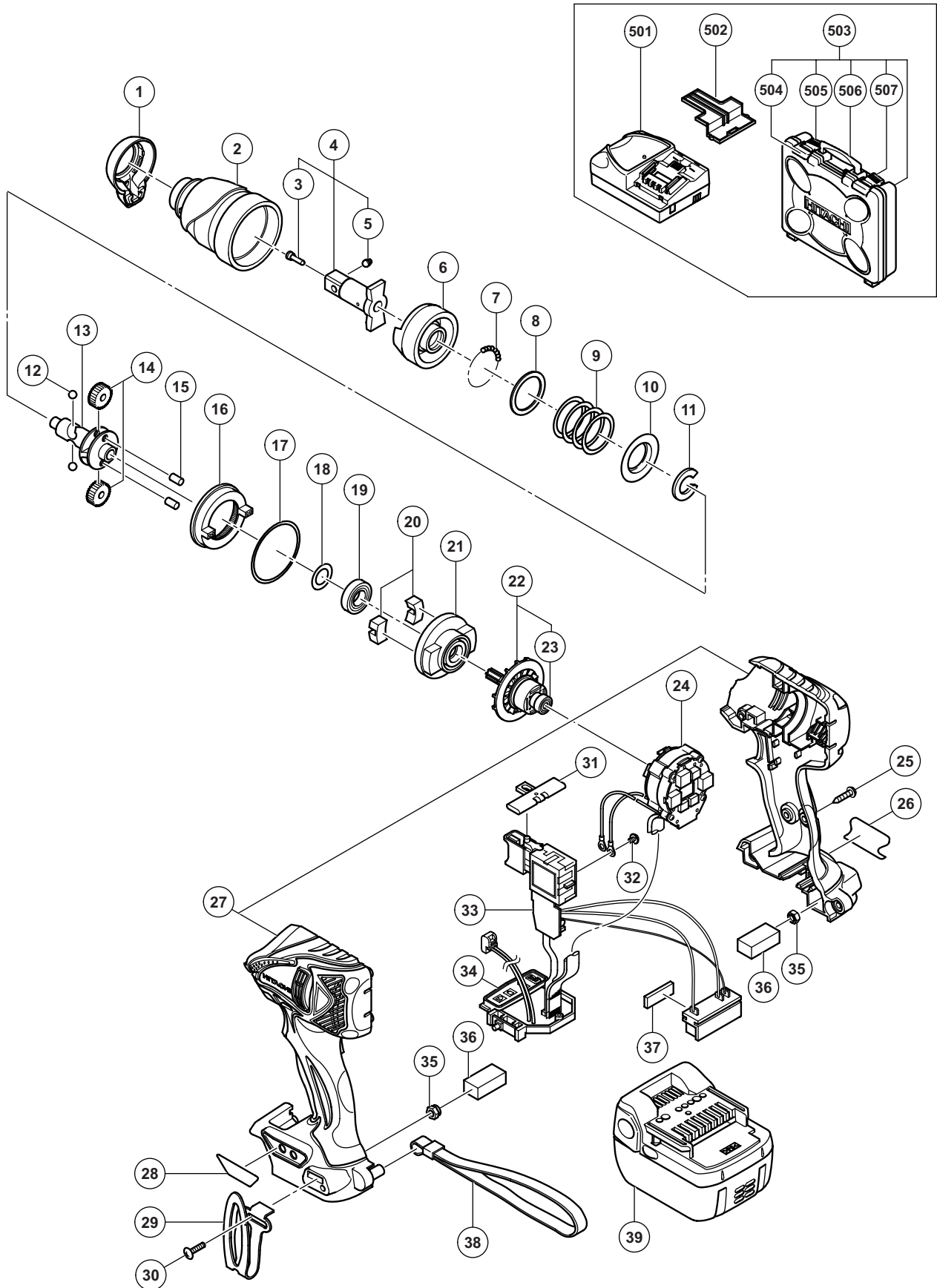


## ELECTRIC TOOL PARTS LIST

### ■ CORDLESS IMPACT WRENCH Model WR 14DBAL2

2012·8·1  
(E1)



**PARTS**

WR 14DBAL2

ITEM NO.	CODE NO.	DESCRIPTION	NO USED	REMARKS
1	334-515	FRONT CAP	1	
2	334-514	HAMMER CASE	1	
3	323-542	PIN RETAINER (A)	1	
4	329-718	ANVIL (B)	1	INCLUD. 3, 5
5	323-541	PLUNGER (A)	1	
6	326-789	HAMMER (F)	1	
7	959-148	STEEL BALL D3.175 (10 PCS.)	28	
8	315-978	WASHER (J)	1	
9	321-660	HAMMER SPRING (D)	1	
10	316-172	WASHER (S)	1	
11	316-171	STOPPER	1	
12	959-154	STEEL BALL D5.556 (10 PCS.)	2	
13	330-658	SPINDLE	1	
14	326-295	IDLE GEAR SET (2 PCS.)	2	
15	319-914	NEEDLE ROLLER	2	
16	330-657	RING GEAR	1	
17	983-852	O-RING (S-42)	1	
18	330-855	WASHER (E)	1	
19	323-118	BALL BEARING 6901VV-N	1	
20	333-952	DAMPER	2	
21	326-786	INNER COVER (D)	1	
22	334-565	ROTOR ASS'Y	1	INCLUD. 23
23	333-784	BALL BEARING 624DD	2	
24	340-841	STATOR FET PCB (C)	1	
25	301-653	TAPPING SCREW (W/FLANGE) D4 X 20 (BLACK)	9	
26		NAME PLATE	1	
27	334-151	HOUSING (A).(B) SET (GREEN)	1	
28	330-662	PANEL SHEET (B)	1	
29	330-666	HOOK	1	
30	327-001	TRUSS HD. SCREW M4 (BLACK)	1	
31	321-661	PUSHING BUTTON (A)	1	
32	994-532	MACHINE SCREW (W/SP. WASHER) M3 X 5	2	
33	334-215	DC-SPEED CONTROL SWITCH	1	
34	334-836	CONTROLLER	1	
35	327-002	LOCK NUT M4 (BLACK)	2	
36	328-644	PACKING	2	
37	331-101	CUSHION	1	
38	306-952	STRAP (BLACK)	1	
* 39	334-419	BATTERY BSL 1440 (EUROPE, AUS, NZL)	2	INCLUD. 502
* 39	330-756	BATTERY BSL 1430 (CHN)	2	INCLUD. 502
* 39	334-727	BATTERY BSL 1430 (TPE)	2	INCLUD. 502
* 39	334-904	BATTERY BSL 1430 (KOR)	2	INCLUD. 502

**STANDARD ACCESSORIES**

WR 14DBAL2

ITEM NO.	CODE NO.	DESCRIPTION	NO. USED	REMARKS
* 501		CHARGER (MODEL UC 18YRSL)	1	
* 501		CHARGER (MODEL UC 18YML2)	1	
502	329-897	BATTERY COVER	1	
503	329-440	CASE ASS'Y	1	INCLUD. 504-507
504	334-233	LATCH (DARK GRAY)	2	
505	334-235	KNOB (L) DARK GRAY	1	
506	334-232	HANDLE (DARK GRAY)	1	
507	334-234	KNOB (R) DARK GRAY	1	

**OPTIONAL ACCESSORIES**

ITEM NO.	CODE NO.	DESCRIPTION	NO. USED	REMARKS
601	873-537	SOCKET PIN	1	
602	873-187	O-RING (J1SW1516)	1	
603	991-481	FORM TIE SOCKET ASS'Y 11.3 MM X 95L	1	INCLUD. 601, 602
604	992-610	UNIVERSAL JOINT ASS'Y	1	INCLUD. 601, 602
605	955-153	UNIVERSAL JOINT PIN	1	
606	991-476	BIT ADAPTER ASS'Y	1	INCLUD. 601, 602
607	944-291	HEX. SOCKET ASS'Y 10 MM X 40L	1	INCLUD. 601, 602
608	873-632	HEX. SOCKET ASS'Y 12 MM X 40L	1	INCLUD. 601, 602
609	873-539	HEX. SOCKET ASS'Y 13 MM X 40L	1	INCLUD. 601, 602
610	873-540	HEX. SOCKET ASS'Y 14 MM X 40L	1	INCLUD. 601, 602
* 611	873-536	HEX. SOCKET ASS'Y 17 MM X 32L	1	INCLUD. 601, 602
612	873-624	HEX. SOCKET ASS'Y 19 MM X 34L	1	INCLUD. 601, 602
613	873-626	HEX. SOCKET ASS'Y 21 MM X 36L	1	INCLUD. 601, 602
614	873-627	HEX. SOCKET ASS'Y 22 MM X 40L	1	INCLUD. 601, 602
615	986-058	HEX. SOCKET FOR PLASTIC CONE 12 MM X 70L	1	INCLUD. 601, 602
616	873-633	EXTENSION BAR ASS'Y (SQUARE) 12.7 MM X 100L	1	INCLUD. 601, 602
617	955-138	HEX. SOCKET ASS'Y (LONG) 12 MM X 52L	1	INCLUD. 601, 602
618	955-139	HEX. SOCKET ASS'Y (LONG) 13 MM X 52L	1	INCLUD. 601, 602
619	955-140	HEX. SOCKET ASS'Y (LONG) 14 MM X 52L	1	INCLUD. 601, 602
620	955-141	HEX. SOCKET ASS'Y (LONG) 17 MM X 52L	1	INCLUD. 601, 602
621	955-149	HEX. SOCKET ASS'Y (LONG) 17 MM X 75L	1	INCLUD. 601, 602
622	955-142	HEX. SOCKET ASS'Y (LONG) 19 MM X 52L	1	INCLUD. 601, 602
623	955-150	HEX. SOCKET ASS'Y (LONG) 19 MM X 75L	1	INCLUD. 601, 602
624	955-143	HEX. SOCKET ASS'Y (LONG) 21 MM X 52L	1	INCLUD. 601, 602
625	955-151	HEX. SOCKET ASS'Y (LONG) 21 MM X 75L	1	INCLUD. 601, 602
626	991-480	HEX. SOCKET ASS'Y (LONG) 21 MM X 125L	1	INCLUD. 601, 602
627	955-144	HEX. SOCKET ASS'Y (LONG) 22 MM X 52L	1	INCLUD. 601, 602
628	993-658	SOCKET ASS'Y FOR DUCT 12 MM X 95L	1	INCLUD. 601, 602, 629
629	993-659	SOCKET FOR DUCT 12 MM X 52L	1	
630	992-613	SOCKET ASS'Y FOR DUCT 13 MM X 95L	1	INCLUD. 601, 602, 631
631	992-614	SOCKET FOR DUCT 13 MM X 52L	1	
632	992-615	SOCKET ASS'Y FOR DUCT 14 MM X 95L	1	INCLUD. 601, 602, 633
633	992-616	SOCKET FOR DUCT 14 MM X 52L	1	
634	309-922	GREASE FOR IMPACT DRIVER (500 G)	1	

