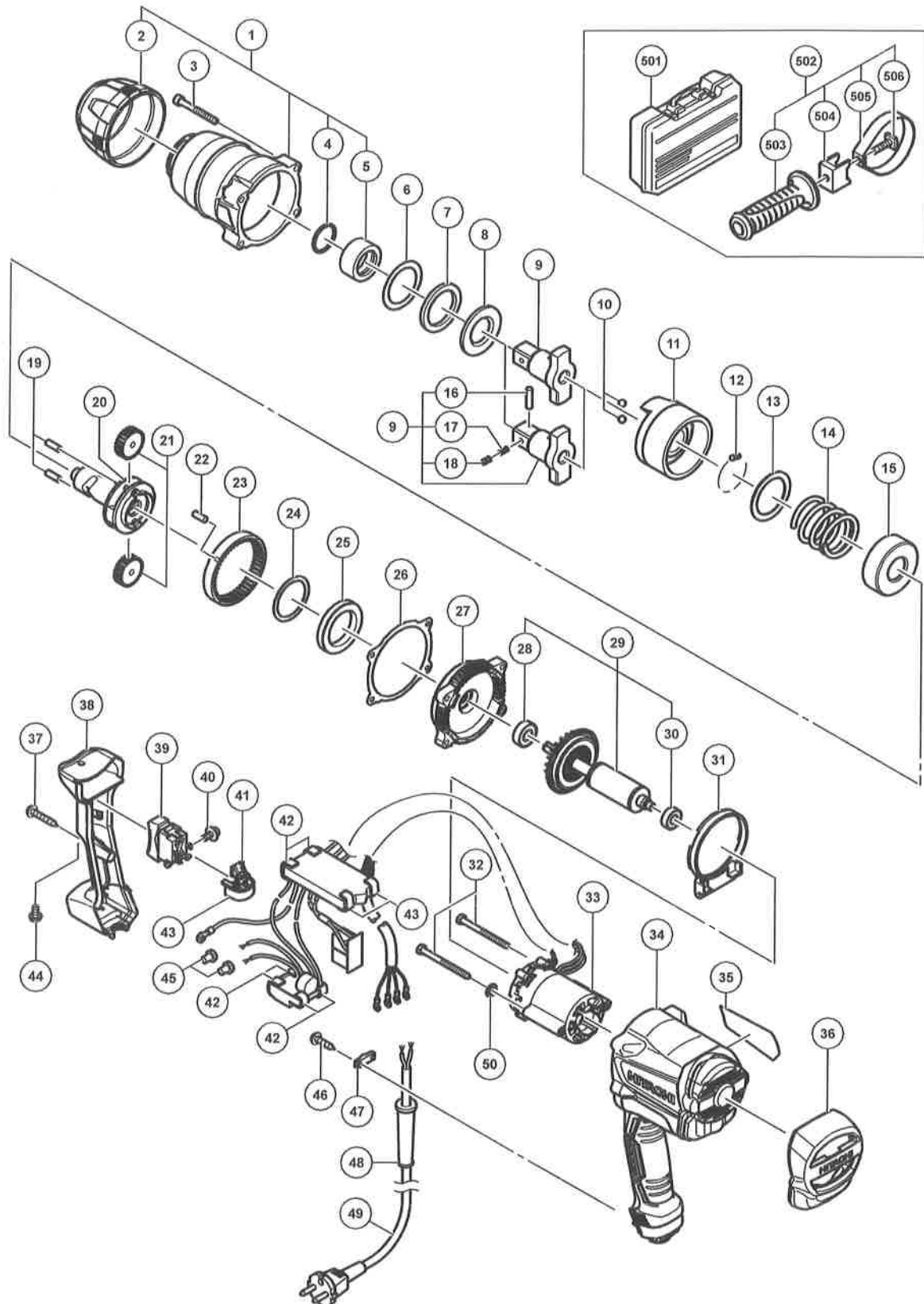


## ELECTRIC TOOL PARTS LIST

■ **IMPACT WRENCH**  
**Model WR 22SE**

**2015·1·20**  
**(E1)**



## PARTS

WR 22SE

ITEM NO.	CODE NO.	DESCRIPTION	NO. USED	REMARKS
1	337849	HAMMER CASE (D) ASS'Y	1	INCLUD.2,4,5
2	337850	BUMPER (D)	1	
3	323994	SEAL LOCK HEX. SOCKET HD. BOLT M5 X 45	4	
4	971028	O-RING (P-28)	1	
5	337851	METAL (F)	1	
6	338357	WASHER (D)	1	
7	338356	DAMPER (D)	1	
8	337848	WASHER (F)	1	
* 9	324013	ANVIL (A)	1	
* 9	324021	ANVIL (B) ASS'Y	1	INCLUD.16-18 FOR AUS,USA,CAN
10	959151	STEEL BALL D7.14 (10 PCS.)	2	
11	338358	HAMMER (D)	1	
12	959155	STEEL BALL D3.97 (10 PCS.)	38	
13	324004	HAMMER WASHER	1	
14	324002	SPRING	1	
15	324001	SPRING SEAT	1	
* 16	949507	ROLL PIN D2 X 14 (10 PCS.)	1	FOR AUS,USA,CAN
* 17	992571	SPRING	1	FOR AUS,USA,CAN
* 18	992572	PLUNGER	1	FOR AUS,USA,CAN
19	971016	GEAR SHAFT	2	
20	324003	SPINDLE	1	
21	318448	IDLE GEAR SET (2 PCS.)	2	
22	991449	NEEDLE ROLLER	1	
23	985303	RING GEAR	1	
24	337847	WASHER (E)	1	
25	337846	METAL (E)	1	
26	337842	PACKING (D)	1	
27	337845	INNER COVER (D)	1	
28	6000DD	BALL BEARING 6000DDCMPS2L	1	
29	360990	ROTOR ASS'Y (D)	1	INCLUD.28,30
30	333945	BALL BEARING 608VV	1	
31	337844	FAN GUIDE (D)	1	
32	960108	HEX. HD. TAPPING SCREW D4 X 60	2	
* 33	340897C	STATOR CONTROLLER (D) SET 110V	1	
* 33	340897D	STATOR CONTROLLER (D) SET 120V-127V	1	
* 33	340897E	STATOR CONTROLLER (D) SET 220V-230V	1	
* 33	340897F	STATOR CONTROLLER (D) SET 240V	1	
34	338355	HOUSING (D)	1	
35		NAME PLATE	1	
36	337843	TAIL BUMPER (D)	1	
37	303694	TAPPING SCREW (W/FLANGE) D4 X 35 (BLACK)	1	
38	337841	HANDLE COVER (D)	1	
39	337202	SWITCH	1	
40	980060	MACHINE SCREW (W/WASHER) M3.5 X 5	4	
41	323768	SWITCH ADAPTER	1	
42	338354	CUSHION RUBBER 45 X 10 X 3	6	
43	338353	CUSHION RUBBER 30 X 10 X 3	3	
44	338500	BUTTON BOLT M4	1	
45	959140	CONNECTOR 50091 (10 PCS.)	2	
46	984750	TAPPING SCREW (W/FLANGE) D4 X 16	2	



**STANDARD ACCESSORIES**

WR 22SE

ITEM NO.	CODE NO.	DESCRIPTION	NO. USED	REMARKS
501	338326	CASE	1	
502	338327	SIDE HANDLE ASS'Y	1	INCLUD.503-506
503	330209	SIDE HANDLE	1	
504	323775	HANDLE HOLDER	1	
505	338498	HANDLE RING	1	
506	980903	SQUARE BOLT M8	1	

**OPTIONAL ACCESSORIES**

ITEM NO.	CODE NO.	DESCRIPTION	NO. USED	REMARKS
601	874535	EXTENSION BAR ASS'Y (SQUARE) 19.0MM X 150L	1	INCLUD.602,603
602	874524	SOCKET RING	1	
603	874525	SOCKET PIN	1	
604	955088	UNIVERSAL JOINT ASS'Y	1	INCLUD.602,603
605	955091	UNIVERSAL JOINT PIN	1	
606	986004	ADAPTER ASS'Y 12.7MM	1	INCLUD.602,603
607	874527	HEX. SOCKET ASS'Y 23MM X 55L	1	INCLUD.602,603
608	874528	HEX. SOCKET ASS'Y 24MM X 55L	1	INCLUD.602,603
609	874529	HEX. SOCKET ASS'Y 26MM X 55L	1	INCLUD.602,603
610	874530	HEX. SOCKET ASS'Y 27MM X 55L	1	INCLUD.602,603
611	874532	HEX. SOCKET ASS'Y 30MM X 55L	1	INCLUD.602,603
612	874523	HEX. SOCKET ASS'Y 32MM X 55L	1	INCLUD.602,603
613	874533	HEX. SOCKET ASS'Y 35MM X 55L	1	INCLUD.602,603
614	874534	HEX. SOCKET ASS'Y 36MM X 55L	1	INCLUD.602,603
615	955028	HEX. SOCKET ASS'Y (LONG) 17MM X 60L	1	INCLUD.602,603
616	955029	HEX. SOCKET ASS'Y (LONG) 19MM X 60L	1	INCLUD.602,603
617	955030	HEX. SOCKET ASS'Y (LONG) 21MM X 60L	1	INCLUD.602,603
618	955031	HEX. SOCKET ASS'Y (LONG) 22MM X 60L	1	INCLUD.602,603
619	955033	HEX. SOCKET ASS'Y (LONG) 24MM X 60L	1	INCLUD.602,603
620	955034	HEX. SOCKET ASS'Y (LONG) 26MM X 85L	1	INCLUD.602,603
621	955035	HEX. SOCKET ASS'Y (LONG) 27MM X 85L	1	INCLUD.602,603
622	955037	HEX. SOCKET ASS'Y (LONG) 30MM X 85L	1	INCLUD.602,603
623	955038	HEX. SOCKET ASS'Y (LONG) 32MM X 100L	1	INCLUD.602,603
624	955092	HEX. SOCKET ASS'Y (LONG) 36MM X 100L	1	INCLUD.602,603

SUBJECT : CHANGE OF HAMMER CASE (D) ASS'Y, MODEL WR22SE

NO. 4757  
ISSUED ON : 8/26/2016  
ISSUED BY HITACHI KOKI CO., LTD.

1. SUMMARY :  
HAMMER CASE (D) ASS'Y IS CHANGED IN SHAPE, OWING TO THIS CHANGE, BUMPER (D), WASHER (D), AND ANVIL (A) ARE CHANGED. IN ADDITION, HAMMER CASE ANVIL SET IS ADDED FOR FORMER PRODUCTS.

2. REASON FOR CHANGE :  
IMPROVED FUNCTION EFFICIENCY

3. CHANGED PARTS LIST NO. :

MODEL NAME	WR22SE								
PARTS LIST NO.	E729								

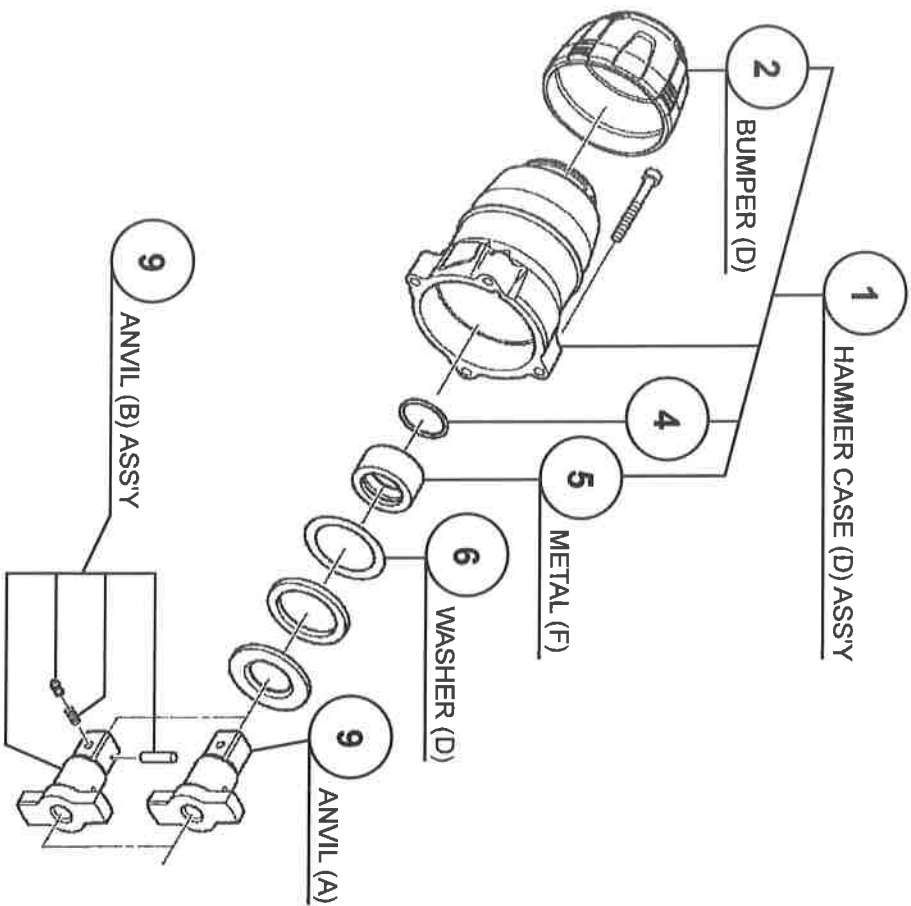
4. AFFECTED PARTS :

MODEL NAME	(A) BEFORE CHANGE (TILL MAY 2016 )				INTER-CHANGEABILITY	(B) AFTER CHANGE (SINCE JUN. 2016 )				
	ITEM NO.	CODE NO.	PART NAME	UNIT *SU-PCS, PPLY		ITEM NO.	CODE NO.	PART NAME	UNIT PCS.	REMARKS
WR22SE	1	337849	HAMMER CASE (D) ASS'Y (INCLUD. 2, 4, 5)	1 D	-X-	1A	370771	HAMMER CASE (G) ASS'Y	1	INCLUD. 2A, 4 SINCE 6. 2016
	5	337851	METAL (F)	1 D		2A	370773	BUMPER (E)	1	SINCE 6. 2016
	2	337850	BUMPER (D)	1 D	-X-	6A	370772	WASHER (G)	1	SINCE 6. 2016
	6	338357	WASHER (D)	1 D	-X-	9A	985294	ANVIL (A)	1	SINCE 6. 2016
	9	324013	ANVIL (A)	1 D	-X-	9A	992570	ANVIL (B) ASS'Y	1	INCLUD. 16-18 FOR USA, CAN
	1	337849	HAMMER CASE (D) ASS'Y (INCLUD. 2, 4, 5)	1 D	-X-	100	370815	HAMMER CASE ANVIL SET	1	INCLUD. 1A, 6A, 9A TILL 5. 2016
	6	338357	WASHER (D)	1 D	-X-					
	9	324013	ANVIL (A)	1 D	-X-					
	1	337849	HAMMER CASE (D) ASS'Y (INCLUD. 2, 4, 5)	1 D	-X-	100	370816	HAMMER CASE ANVIL SET	1	INCLUD. 1A, 6A, 9A FOR USA, CAN TILL 5. 2016
6	338357	WASHER (D)	1 D	-X-						
9	324021	ANVIL (B) ASS'Y	1 D	-X-						

INTER-CHANGEABILITY (A) <-> (B) : INTERCHANGEABLE (A) <-> (B) : (B) CAN BE A SUBSTITUTE FOR (A) (A) -X- (B) : NOT INTERCHANGEABLE (A) --> (B) : (A) CAN BE A SUBSTITUTE FOR (B)  
\* SUPPLY "C" : "CONTINUED" ; "D" : "DISCONTINUED" APPLIES ONLY TO THE SUBJECT MODEL (S). THE INDICATED PART MAY STILL BE SUPPLIED FOR OTHER APPLICABLE MODELS. (SEE "INTERCHANGEABILITY LIST")

5. ILLUSTRATION:

(A) BEFORE



(B) AFTER

