

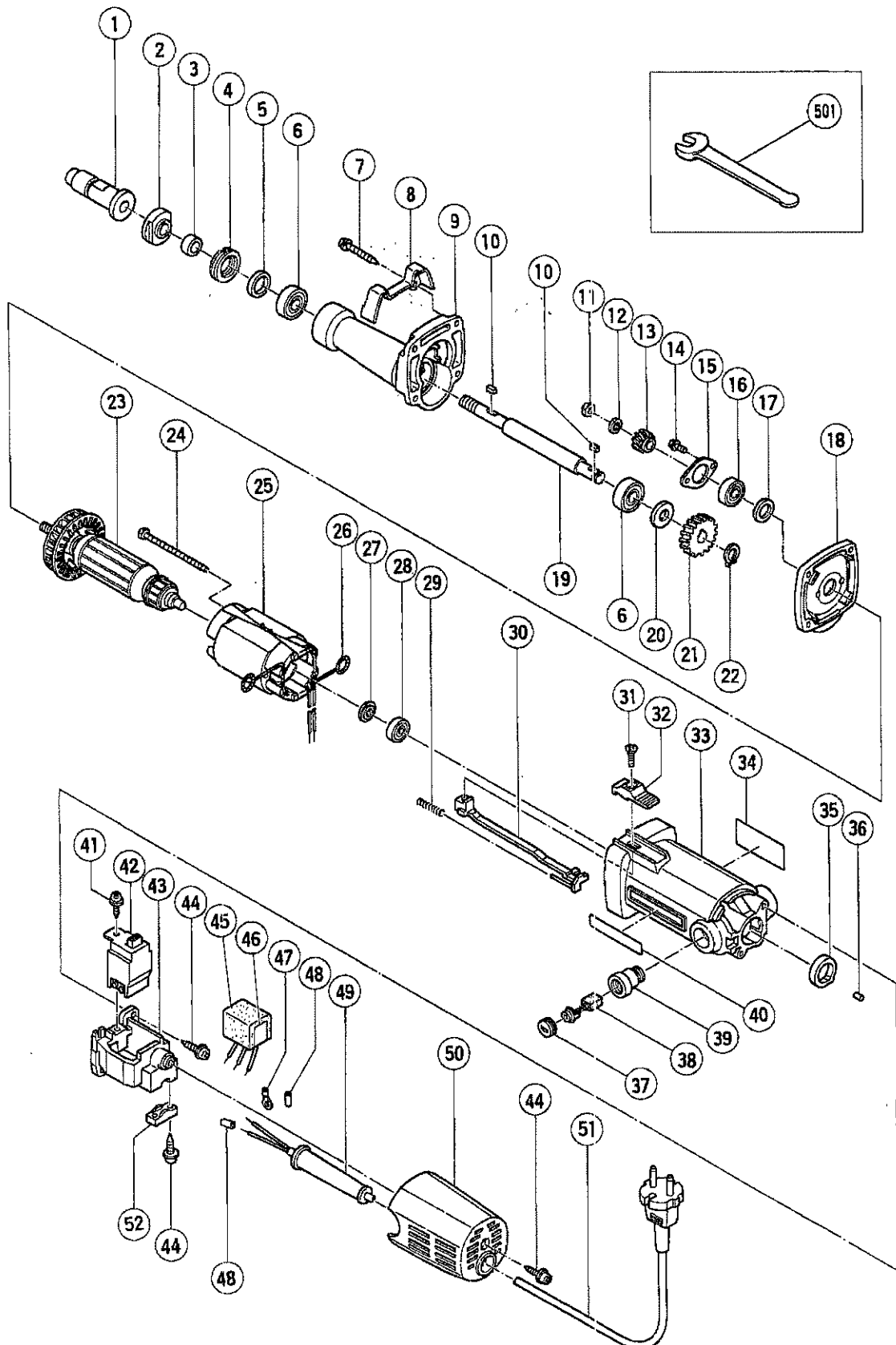
HITACHI

LIST NO. 0295

ELECTRIC TOOL PARTS LIST

■ PORTABLE GRINDER
Model X 100

1995 · 8 · 16
(E3)



PARTS

U. Einzel

X 100

ITEM NO.	CODE NO.	DESCRIPTION	NO. USED	REMARKS
1	991-377	COLLET CHUCK 6MM	1	
2	991-370	WHEEL WASHER (A)	1	
3	991-374	SLEEVE	1	
4	991-366	BEARING CAP	1	
5	991-365	FELT	1	
6	600-0VV	BALL BEARING 6000VVCMP2S	2	
7	986-011	TAPPING SCREW (W/SP. WASHER) D5X30	4	
8	982-049Z	GUARD PLATE (B)	1	
9	998-450	NOSE BRACKET	1	
10	944-109	FEATHER KEY 3X3X8	2	
11	991-373	NUT (LEFT HAND) M6	1	
12	948-187	SUPER LOCK WASHER M6	1	
13	991-361	PINION	1	
14	997-263	SEAL LOCK SCREW (W/SP. WASHER) M4X10	2	
15	937-876	BEARING COVER	1	
16	608-VVM	BALL BEARING 608VVMC2EPS2L	1	
17	991-088	FELT PACKING	1	
18	991-360	INNER COVER	1	
19	991-383	SPINDLE	1	
20	933-542	DISTANCE WASHER (A)	1	
21	991-384	GEAR	1	
22	939-540	RETAINING RING FOR D10 SHAFT (10 PCS.)	1	
* 23	360-110C	ARMATURE 110V	1	
* 23	360-110E	ARMATURE 220V - 230V	1	
24	982-021	HEX. HD. TAPPING SCREW D4X70	2	
* 25	340-144G	STATOR ASS'Y 110V	1	INCLUD.26
* 25	340-144H	STATOR ASS'Y 220V - 230V	1	INCLUD.26
26	931-867	BRUSH TERMINAL	2	
27	980-865	WASHER (A)	1	
28	626-VVM	BALL BEARING 626VVMC2ERPS2S	1	
29	938-299	SPRING	1	
30	982-033	SLIDE BAR	1	
31	949-323	FLAT HD. SCREW M4X12 (10 PCS.)	1	
32	938-312	SLIDE KNOB (B)	1	
33	982-020	HOUSING ASS'Y	1	INCLUD.39
34		NAME PLATE	1	
35	982-023	BEARING BUSHING	1	
36	931-701	BEARING LOCK	1	
37	937-847	BRUSH CAP	2	
38	989-021	CARBON BRUSH (1 PAIR)	2	
39	937-846	BRUSH HOLDER	2	
40	957-581	HITACHI LABEL	1	
41	982-034	TAPPING SCREW (W/WASHER) D4X12	1	
42	980-776	SLIDE SWITCH (2P PILLAR TYPE)	1	
43	982-044	SWITCH HOLDER	1	
44	984-750	TAPPING SCREW (W/FLANGE) D4X16	5	
45	930-153	SUPPORT (B)	1	
46	994-273	NOISE SUPPRESSOR	1	
47	980-063	TERMINAL	1	
48	981-373	TUBE (D)	4	
* 49	938-051	CORD ARMOR D10.1	1	

*: ALTERNATIVE PARTS

